



Wixroyd[®]
group
AN ESSENTRA COMPANY

NEW
RANGE

PEEK & In-House Collection

0333 207 4498 | sales@automotioncomponents.co.uk

0333 207 9969 | sales@teknipart.co.uk





Wixroyd
GROUP
AN ESSENTRA COMPANY



@wixroydgroup

Lets connect

Keep up to date with the latest from the Wixroyd Group on LinkedIn



New Product Updates

Be the first to know when we have brand new products.



Free Catalogues

Download our e-catalogues or request a printed copy.



Company Updates

Get to know us as a company, what we are up to, our culture, events and our team!



...and everything in between

We also post industry related news, product features and benefits, job opportunities, employee spotlights, fun facts and more!





Wixroyd[®]
GROUP
AN ESSENTRA COMPANY

We've had an upgrade!

You may have already noticed some changes to our **Wixroyd**, **Automotion Components** and **Teknipart** websites - that's because we have recently upgraded them to **optimise your online experience** with us.

You can find us at the usual places below:

wixroyd.com

automotioncomponents.co.uk

teknipart.co.uk

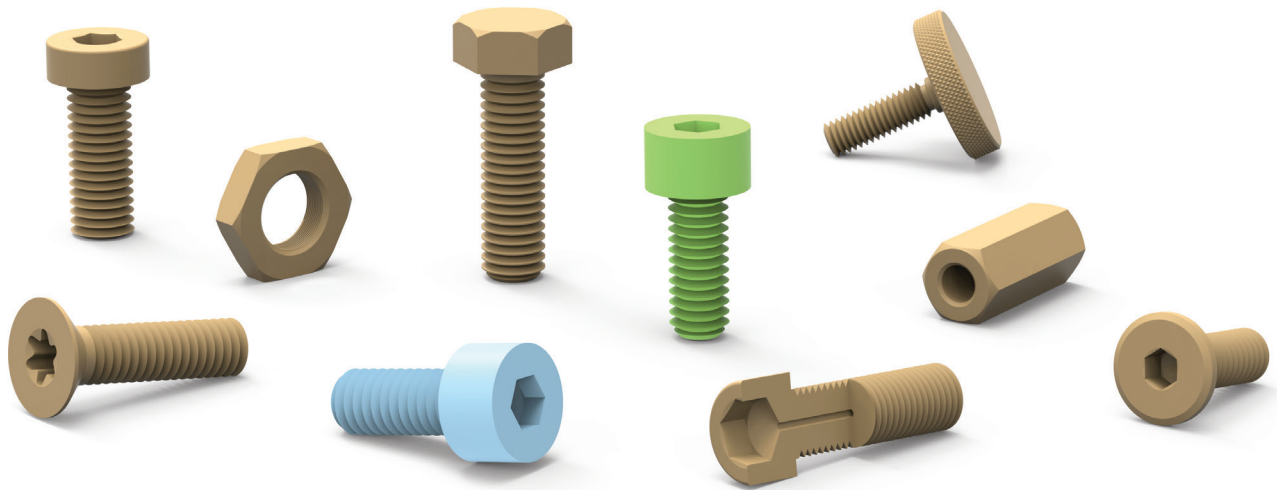
- ✓ Large range of products
- ✓ Free CAD downloads
- ✓ Great stock availability
- ✓ Detailed product datasheets
- ✓ Easily accessible live chat



In this catalogue

Introduction to PEEK	5
Cap Head Hexagon Socket	6
Hexagon Head Set Screw	9
Hexagon Nut	10
Female - Female Hexagon Spacer	11
Male - Female Hexagon Spacer	12
Set Screw	14
Ultra Low Head Cap Screw	15
Torx Low Cap Head Screw	16
Washer	17
Low Cap Head Hex. Socket Screw	18
Why choose PEEK?	19
Slotted Cheese Head Screw	20
Torx Ultra Low Head Screw	22
Countersunk Hexagon Head Screw	23
Torx Countersunk Head Screw	24
Torx Pan Head Screw	26
Cap Head Vented Screw	28
PEEK Samples	30
In-House capabilities	32
Introduction to Shoulder Screws	34
Shoulder Screws - Bestsellers	35
Shoulder Screws	36
Introduction to Captive Screws	38
Captive Screws - Bestsellers	39
Captive Screws	40
Introduction to Sealing Screws	41
Sealing Screws - Bestsellers	42
Sealing Screws	43
Introduction to Vented Screws	44
Vented Screws - Bestsellers	45
Vented Screws	46
Introduction to Low Head Screws	47
Low Head Screws - Bestsellers	48
Low Head Screws	49

An introduction to PEEK (Polyether ether ketone)



What is PEEK?

PEEK (Polyether Ether Ketone) fasteners are lightweight, high-strength alternatives to metal fasteners, offering exceptional chemical resistance, thermal stability, and mechanical properties. PEEK fasteners are ideal for applications requiring high purity, low outgassing, and resistance to harsh environments. We stock a wide range of PEEK fasteners, including cap head screws, spacers, set screws, ultra-low head cap screws, and countersunk screws. Known for their high strength, corrosion

resistance, and lightweight properties, these fasteners are ideal for demanding industries such as aerospace, automotive, food processing electronics, and medical. PEEK fasteners withstand extreme temperatures, aggressive chemicals, and high-stress environments, making them a superior alternative to traditional metal fasteners in specialised applications.

All products are available in :



**Natural
Beige**



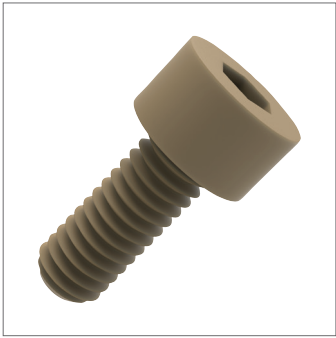
Blue

- X-ray opaque
- Metal detectable

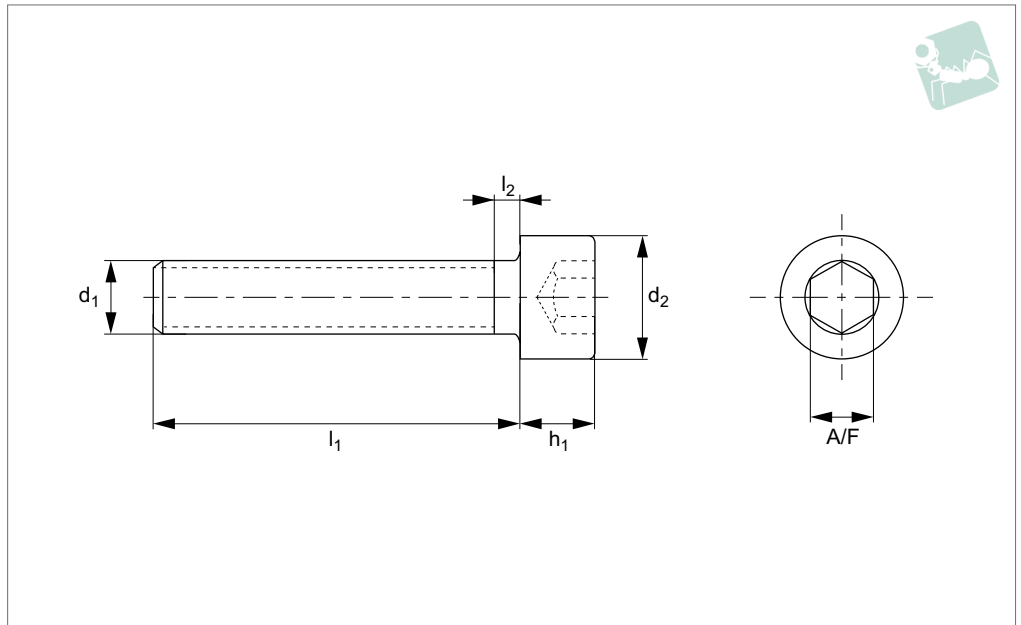


Green

- Biocompatible



N0500.NP



Material

Natural Polyether-ether-ketone (PEEK).
Beige.

A high performance plastic with very good durability and wear resistance. PEEK has excellent chemical resistance and performs well at temperatures up to 260°C.

Tensile strength ~116N/mm².

Technical Notes

PEEK is used in the aerospace and petrochemical industries.

For medical industry applications, we can offer these products in a variant of PEEK

which is refined for biocompatibility.

For industries with a hygienic requirement, these products can be manufactured with an X-Ray opaque or metal detectable filler, as well as a blue colour for optical detection.

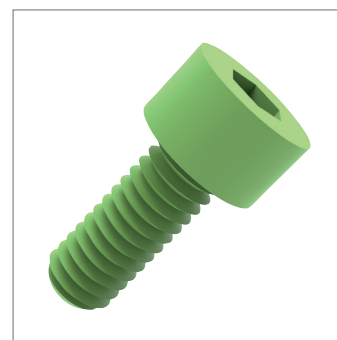
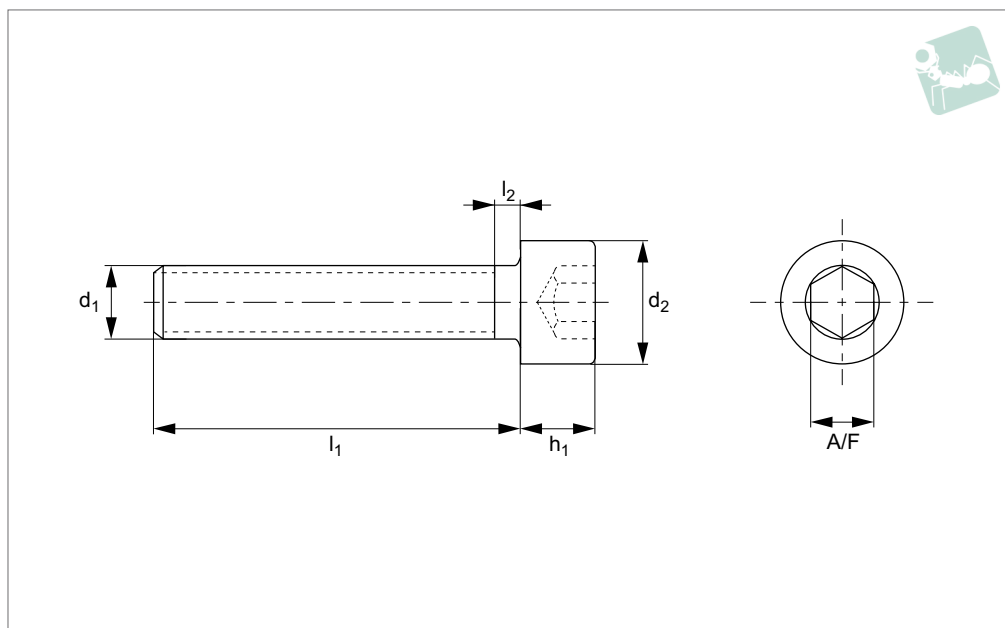
Order No.	d ₁	l ₁ +/- 0.2	l ₂ max.	d ₂	h ₁	A/F
N0500.030-008-NP	M 3	8	1.0	5.5	3	2.5
N0500.030-010-NP	M 3	10	1.0	5.5	3	2.5
N0500.030-012-NP	M 3	12	1.0	5.5	3	2.5
N0500.030-015-NP	M 3	15	1.0	5.5	3	2.5
N0500.030-020-NP	M 3	20	1.0	5.5	3	2.5
N0500.030-025-NP	M 3	25	1.0	5.5	3	2.5
N0500.040-008-NP	M 4	8	1.4	7.0	4	3.0
N0500.040-010-NP	M 4	10	1.4	7.0	4	3.0
N0500.040-012-NP	M 4	12	1.4	7.0	4	3.0
N0500.040-015-NP	M 4	15	1.4	7.0	4	3.0
N0500.040-020-NP	M 4	20	1.4	7.0	4	3.0
N0500.040-025-NP	M 4	25	1.4	7.0	4	3.0
N0500.050-008-NP	M 5	8	1.6	8.5	5	4.0
N0500.050-010-NP	M 5	10	1.6	8.5	5	4.0
N0500.050-012-NP	M 5	12	1.6	8.5	5	4.0
N0500.050-015-NP	M 5	15	1.6	8.5	5	4.0
N0500.050-020-NP	M 5	20	1.6	8.5	5	4.0
N0500.050-025-NP	M 5	25	1.6	8.5	5	4.0
N0500.050-030-NP	M 5	30	1.6	8.5	5	4.0
N0500.060-010-NP	M 6	10	2.0	10.0	6	5.0
N0500.060-012-NP	M 6	12	2.0	10.0	6	5.0
N0500.060-015-NP	M 6	15	2.0	10.0	6	5.0
N0500.060-020-NP	M 6	20	2.0	10.0	6	5.0
N0500.060-025-NP	M 6	25	2.0	10.0	6	5.0
N0500.060-030-NP	M 6	30	2.0	10.0	6	5.0
N0500.080-020-NP	M 8	20	2.5	13.0	8	6.0
N0500.080-025-NP	M 8	25	2.5	13.0	8	6.0
N0500.080-030-NP	M 8	30	2.5	13.0	8	6.0
N0500.080-035-NP	M 8	35	2.5	13.0	8	6.0



Cap Head Hexagon Socket

Medical

PEEK Fasteners



N0500.MP

PEEK FASTENERS

Material

Polyether ether ketone (PEEK). Green.

A high performance plastic with very good durability and wear resistance. PEEK has excellent chemical resistance and performs well at temperatures up to 260°C.

Tensile strength ~116N/mm².

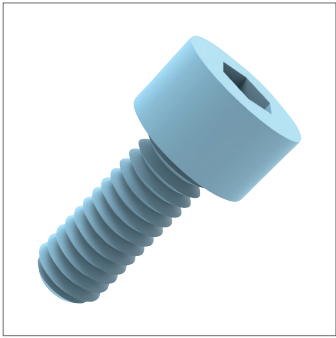
Technical Notes

Manufactured for medical industry applications, these products are in a variant of PEEK which is refined for biocompatibility.

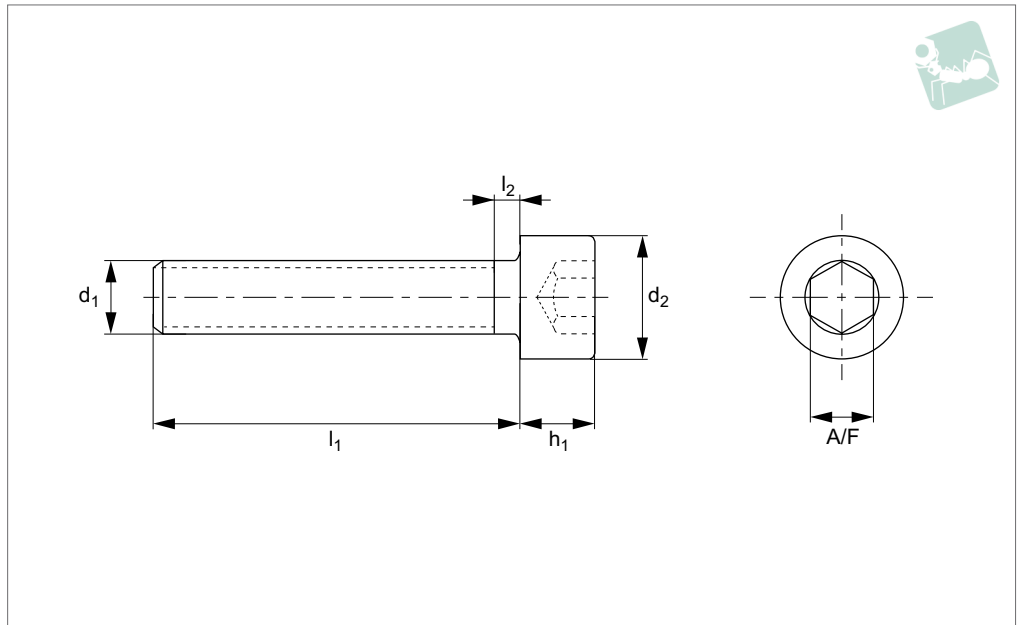
For industries with a hygienic requirement, these products are available with an X-Ray opaque or metal detectable filler, blue in colour, for optical detection.

Natural PEEK is used in the aerospace and chemical industries.

Order No.	d ₁	l ₁ +/- 0.2	l ₂ max.	d ₂	h ₁	A/F
N0500.030-008-MP	M 3	8	1.0	5.5	3	2.5
N0500.030-010-MP	M 3	10	1.0	5.5	3	2.5
N0500.030-012-MP	M 3	12	1.0	5.5	3	2.5
N0500.030-015-MP	M 3	15	1.0	5.5	3	2.5
N0500.030-020-MP	M 3	20	1.0	5.5	3	2.5
N0500.030-025-MP	M 3	25	1.0	5.5	3	2.5
N0500.040-008-MP	M 4	8	1.4	7.0	4	3.0
N0500.040-010-MP	M 4	10	1.4	7.0	4	3.0
N0500.040-012-MP	M 4	12	1.4	7.0	4	3.0
N0500.040-015-MP	M 4	15	1.4	7.0	4	3.0
N0500.040-020-MP	M 4	20	1.4	7.0	4	3.0
N0500.040-025-MP	M 4	25	1.4	7.0	4	3.0
N0500.050-008-MP	M 5	8	1.6	8.5	5	4.0
N0500.050-010-MP	M 5	10	1.6	8.5	5	4.0
N0500.050-012-MP	M 5	12	1.6	8.5	5	4.0
N0500.050-015-MP	M 5	15	1.6	8.5	5	4.0
N0500.050-020-MP	M 5	20	1.6	8.5	5	4.0
N0500.050-025-MP	M 5	25	1.6	8.5	5	4.0
N0500.050-030-MP	M 5	30	1.6	8.5	5	4.0
N0500.060-010-MP	M 6	10	2.0	10.0	6	5.0
N0500.060-012-MP	M 6	12	2.0	10.0	6	5.0
N0500.060-015-MP	M 6	15	2.0	10.0	6	5.0
N0500.060-020-MP	M 6	20	2.0	10.0	6	5.0
N0500.060-025-MP	M 6	25	2.0	10.0	6	5.0
N0500.060-030-MP	M 6	30	2.0	10.0	6	5.0
N0500.080-020-MP	M 8	20	2.5	13.0	8	6.0
N0500.080-025-MP	M 8	25	2.5	13.0	8	6.0
N0500.080-030-MP	M 8	30	2.5	13.0	8	6.0
N0500.080-035-MP	M 8	35	2.5	13.0	8	6.0



N0500.HP



Material

Polyether ether ketone (PEEK). Blue.

A high performance plastic with very good durability and wear resistance. PEEK has excellent chemical resistance and performs well at temperatures up to 260°C.

Tensile strength ~116N/mm².

Technical Notes

Manufactured for industries with a hygienic requirement, these products are made with an X-Ray opaque or metal detectable filler, in blue, for optical detection.

For medical industry applications, we can offer these products in a variant of PEEK which is refined for biocompatibility.

Natural PEEK is used in the aerospace and chemical industries.

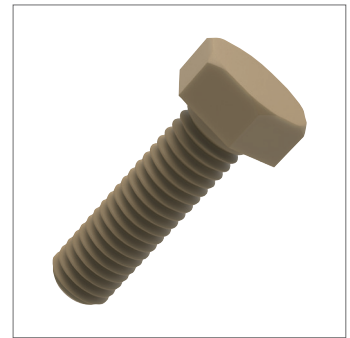
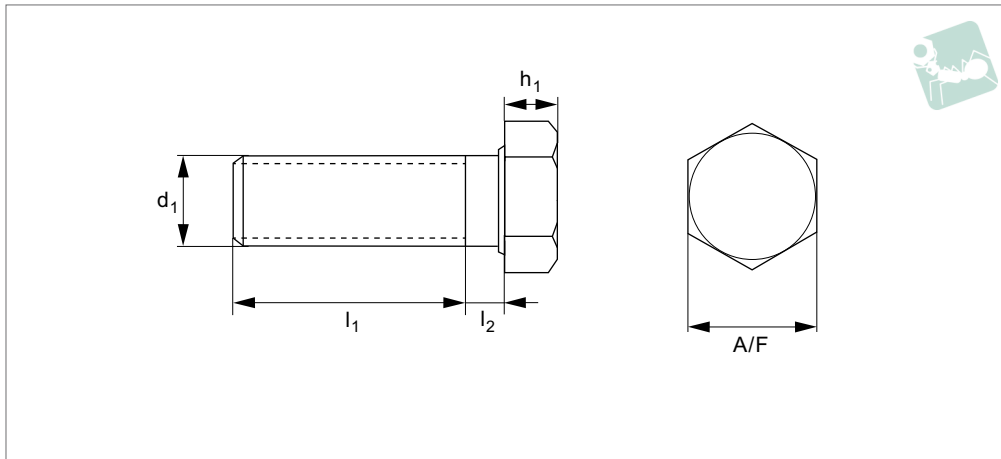
Order No.	d ₁	l ₁ +/-0.2	l ₂ max.	d ₂	h ₁	A/F
N0500.030-008-HP	M 3	8	1.0	5.5	3	2.5
N0500.030-010-HP	M 3	10	1.0	5.5	3	2.5
N0500.030-012-HP	M 3	12	1.0	5.5	3	2.5
N0500.030-015-HP	M 3	15	1.0	5.5	3	2.5
N0500.030-020-HP	M 3	20	1.0	5.5	3	2.5
N0500.030-025-HP	M 3	25	1.0	5.5	3	2.5
N0500.040-008-HP	M 4	8	1.4	7.0	4	3.0
N0500.040-010-HP	M 4	10	1.4	7.0	4	3.0
N0500.040-012-HP	M 4	12	1.4	7.0	4	3.0
N0500.040-015-HP	M 4	15	1.4	7.0	4	3.0
N0500.040-020-HP	M 4	20	1.4	7.0	4	3.0
N0500.040-025-HP	M 4	25	1.4	7.0	4	3.0
N0500.050-008-HP	M 5	8	1.6	8.5	5	4.0
N0500.050-010-HP	M 5	10	1.6	8.5	5	4.0
N0500.050-012-HP	M 5	12	1.6	8.5	5	4.0
N0500.050-015-HP	M 5	15	1.6	8.5	5	4.0
N0500.050-020-HP	M 5	20	1.6	8.5	5	4.0
N0500.050-025-HP	M 5	25	1.6	8.5	5	4.0
N0500.050-030-HP	M 5	30	1.6	8.5	5	4.0
N0500.060-010-HP	M 6	10	2.0	10.0	6	5.0
N0500.060-012-HP	M 6	12	2.0	10.0	6	5.0
N0500.060-015-HP	M 6	15	2.0	10.0	6	5.0
N0500.060-020-HP	M 6	20	2.0	10.0	6	5.0
N0500.060-025-HP	M 6	25	2.0	10.0	6	5.5
N0500.060-030-HP	M 6	30	2.0	10.0	6	5.5
N0500.080-020-HP	M 8	20	2.5	13.0	8	6.0
N0500.080-025-HP	M 8	25	2.5	13.0	8	6.0
N0500.080-030-HP	M 8	30	2.5	13.0	8	6.0
N0500.080-035-HP	M 8	35	2.5	13.0	8	6.0



Hexagonal Head Set Screws

Natural PEEK

PEEK Fasteners



N0501.NP

PEEK FASTENERS

Material

Natural Polyether-ether-ketone (PEEK).
Beige.

A high performance plastic with very good durability and wear resistance. PEEK has

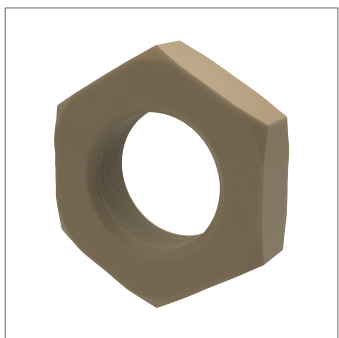
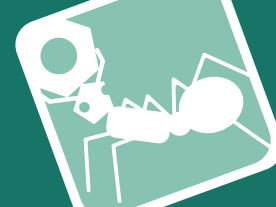
excellent chemical resistance and performs well at temperatures up to 260°C. Tensile strength ~116N/mm².

Technical Notes

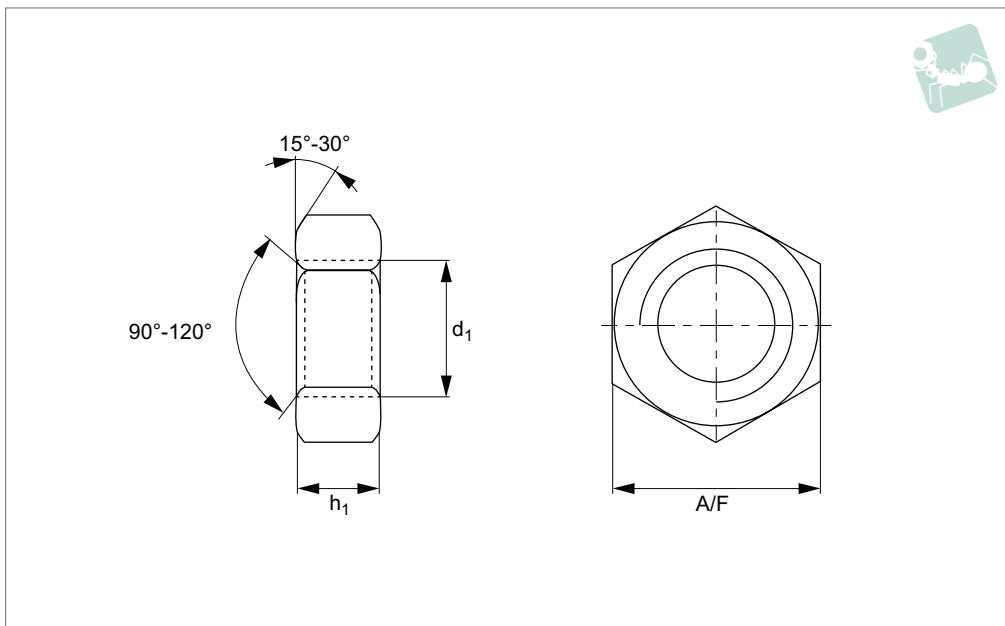
Generally to DIN 931.

Metal detectable & biocompatible versions available on request.

Order No.	d ₁	l ₁ +/-0.2	h ₁	l ₂ max.	A/F
N0501.040-008-NP	M 4	8	2.8	1.4	7
N0501.040-010-NP	M 4	10	2.8	1.4	7
N0501.040-012-NP	M 4	12	2.8	1.4	7
N0501.040-015-NP	M 4	15	2.8	1.4	7
N0501.040-020-NP	M 4	20	2.8	1.4	7
N0501.040-025-NP	M 4	25	2.8	1.4	7
N0501.050-010-NP	M 5	10	3.5	1.6	8
N0501.050-012-NP	M 5	12	3.5	1.6	8
N0501.050-015-NP	M 5	15	3.5	1.6	8
N0501.050-020-NP	M 5	20	3.5	1.6	8
N0501.050-025-NP	M 5	25	3.5	1.6	8
N0501.050-030-NP	M 5	30	3.5	1.6	8
N0501.060-010-NP	M 6	10	4.0	2.0	10
N0501.060-012-NP	M 6	12	4.0	2.0	10
N0501.060-015-NP	M 6	15	4.0	2.0	10
N0501.060-020-NP	M 6	20	4.0	2.0	10
N0501.060-025-NP	M 6	25	4.0	2.0	10
N0501.060-030-NP	M 6	30	4.0	2.0	10
N0501.060-035-NP	M 6	35	4.0	2.0	10
N0501.060-040-NP	M 6	40	4.0	2.0	10
N0501.060-045-NP	M 6	45	4.0	2.0	10
N0501.060-050-NP	M 6	50	4.0	2.0	10
N0501.080-010-NP	M 8	10	5.5	2.5	13
N0501.080-015-NP	M 8	15	5.5	2.5	13
N0501.080-020-NP	M 8	20	5.5	2.5	13
N0501.080-025-NP	M 8	25	5.5	2.5	13
N0501.080-030-NP	M 8	30	5.5	2.5	13
N0501.080-035-NP	M 8	35	5.5	2.5	13
N0501.080-040-NP	M 8	40	5.5	2.5	13
N0501.080-045-NP	M 8	45	5.5	2.5	13
N0501.080-050-NP	M 8	50	5.5	2.5	13
N0501.100-015-NP	M 10	15	7.0	3.0	17
N0501.100-020-NP	M 10	20	7.0	3.0	17
N0501.100-025-NP	M 10	25	7.0	3.0	17
N0501.100-030-NP	M 10	30	7.0	3.0	17
N0501.100-035-NP	M 10	35	7.0	3.0	17
N0501.100-040-NP	M 10	40	7.0	3.0	17
N0501.100-045-NP	M 10	45	7.0	3.0	17
N0501.100-050-NP	M 10	50	7.0	3.0	17



N0502.NP



Material

Natural Polyether-ether-ketone (PEEK).
Beige.
A high performance plastic with very good

durability and wear resistance. PEEK has excellent chemical resistance and performs well at temperatures up to 260°C. Tensile strength ~116N/mm².

Technical Notes

Generally to DIN 934.

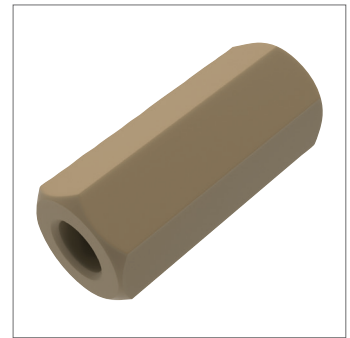
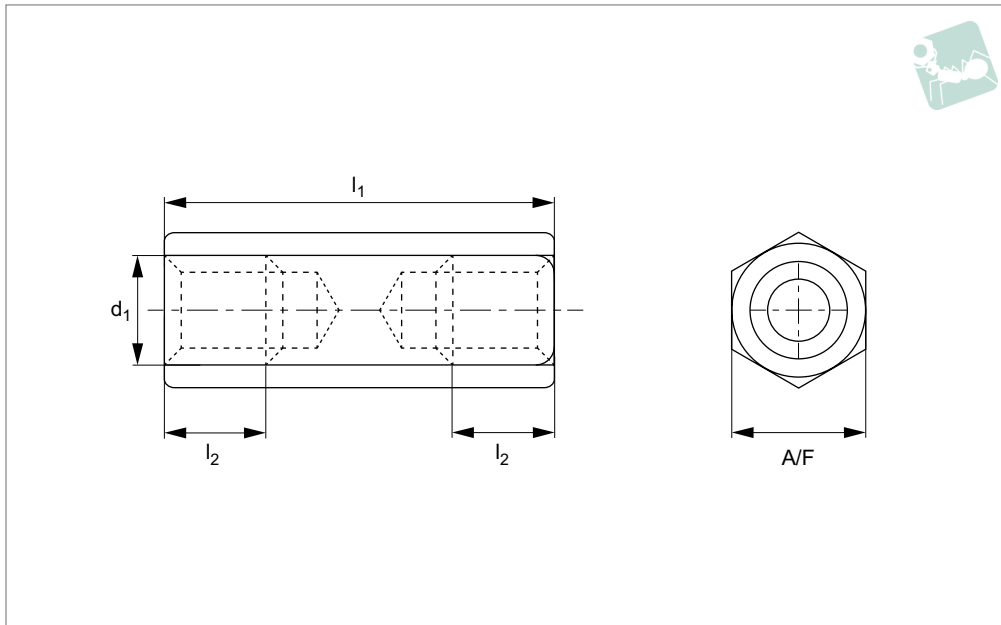
Order No.	d ₁	h ₁	A/F
N0502.030-NP	M 3	2.4	5.5
N0502.040-NP	M 4	3.2	7.0
N0502.050-NP	M 5	4.0	8.0
N0502.060-NP	M 6	5.0	10.0
N0502.080-NP	M 8	6.5	13.0
N0502.100-NP	M 10	8.0	17.0



Female-Female Hexagon Spacers

Natural PEEK

PEEK Fasteners



N0503.NP

PEEK FASTENERS

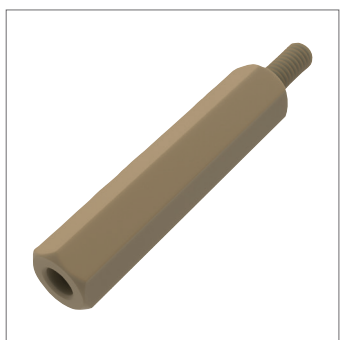
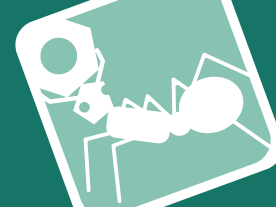
Material

Natural Polyether-ether-ketone (PEEK).
Beige.

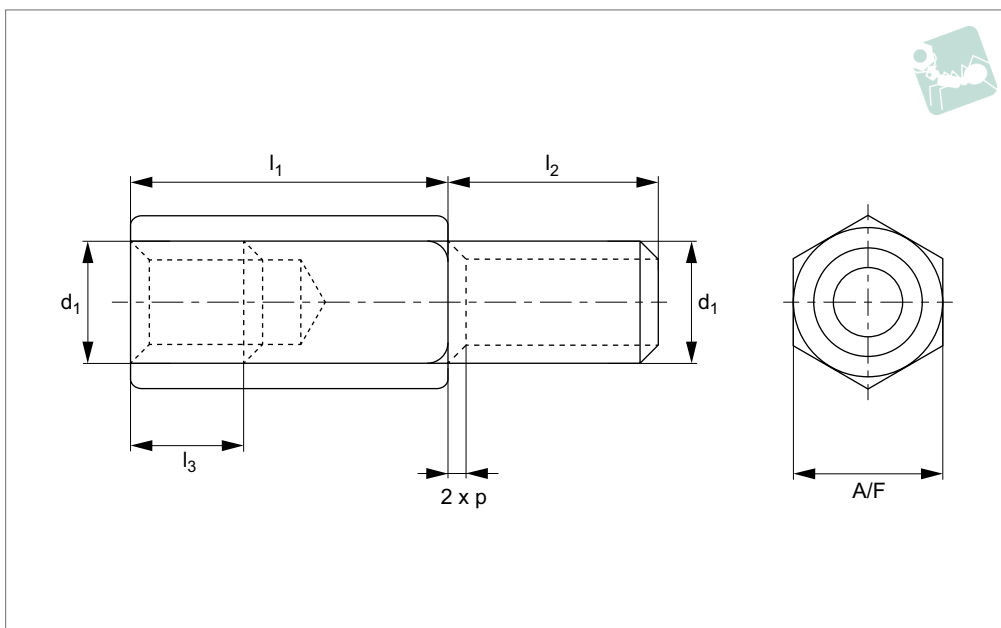
A high performance plastic with very good durability and wear resistance. PEEK has excellent chemical resistance and performs

well at temperatures up to 260°C.
Tensile strength ~116N/mm².

Order No.	d_1	l_1 +/-0.2	l_2	A/F
N0503.030-004-NP	M 3	4	2.0	6
N0503.030-005-NP	M 3	5	2.5	6
N0503.030-006-NP	M 3	6	3.0	6
N0503.030-008-NP	M 3	8	4.0	6
N0503.030-010-NP	M 3	10	5.0	6
N0503.030-012-NP	M 3	12	6.0	6
N0503.030-015-NP	M 3	15	7.5	6
N0503.030-018-NP	M 3	18	9.0	6
N0503.030-020-NP	M 3	20	10.0	6
N0503.030-025-NP	M 3	25	10.0	6
N0503.030-030-NP	M 3	30	10.0	6
N0503.040-005-NP	M 4	5	2.5	7
N0503.040-006-NP	M 4	6	3.0	7
N0503.040-008-NP	M 4	8	4.0	7
N0503.040-010-NP	M 4	10	5.0	7
N0503.040-012-NP	M 4	12	6.0	7
N0503.040-015-NP	M 4	15	7.5	7
N0503.040-018-NP	M 4	18	9.0	7
N0503.040-020-NP	M 4	20	10.0	7
N0503.040-025-NP	M 4	25	10.0	7
N0503.040-030-NP	M 4	30	10.0	7
N0503.040-035-NP	M 4	35	10.0	7
N0503.040-040-NP	M 4	40	10.0	7
N0503.050-006-NP	M 5	6	3.0	8
N0503.050-008-NP	M 5	8	4.0	8
N0503.050-010-NP	M 5	10	5.0	8
N0503.050-012-NP	M 5	12	6.0	8
N0503.050-015-NP	M 5	15	7.5	8
N0503.050-018-NP	M 5	18	9.0	8
N0503.050-020-NP	M 5	20	10.0	8
N0503.050-025-NP	M 5	25	10.0	8
N0503.050-030-NP	M 5	30	10.0	8
N0503.050-035-NP	M 5	35	10.0	8
N0503.050-040-NP	M 5	40	10.0	8



N0504.NP



Material

Natural Polyether-ether-ketone (PEEK).
Beige.

A high performance plastic with very good

durability and wear resistance. PEEK has excellent chemical resistance and performs well at temperatures up to 260°C. Tensile strength ~116N/mm²

Technical Notes

P = Thread Pitch. Thread sizes stated are standard coarse

Order No.	d ₁	l ₁	l ₂	l ₃	l ₄ max.	A/F
N0504.030-005-NP	M 3	5	6	2.5	1.0	5.5
N0504.030-008-NP	M 3	8	6	5.0	1.0	5.5
N0504.030-010-NP	M 3	10	6	5.0	1.0	5.5
N0504.030-012-NP	M 3	12	6	6.5	1.0	5.5
N0504.030-015-NP	M 3	15	6	7.5	1.0	5.5
N0504.030-018-NP	M 3	18	6	8.0	1.0	5.5
N0504.030-020-NP	M 3	20	6	7.0	1.0	5.5
N0504.030-025-NP	M 3	25	6	7.0	1.0	5.5
N0504.030-030-NP	M 3	30	6	7.0	1.0	5.5
N0504.040-005-NP	M 4	5	8	2.3	1.4	7.0
N0504.040-008-NP	M 4	8	8	4.5	1.4	7.0
N0504.040-010-NP	M 4	10	8	6.0	1.4	7.0
N0504.040-012-NP	M 4	12	8	8.0	1.4	7.0
N0504.040-015-NP	M 4	15	8	9.0	1.4	7.0
N0504.040-018-NP	M 4	18	8	9.0	1.4	7.0
N0504.040-020-NP	M 4	20	8	9.0	1.4	7.0
N0504.040-025-NP	M 4	25	8	9.0	1.4	7.0
N0504.040-030-NP	M 4	30	8	9.0	1.4	7.0
N0504.040-035-NP	M 4	35	8	9.0	1.4	7.0
N0504.050-008-NP	M 5	8	10	5.0	1.6	8.0
N0504.050-010-NP	M 5	10	10	5.5	1.6	8.0
N0504.050-012-NP	M 5	12	10	8.0	1.6	8.0
N0504.050-015-NP	M 5	15	10	9.0	1.6	8.0
N0504.050-018-NP	M 5	18	10	10.0	1.6	8.0
N0504.050-020-NP	M 5	20	10	11.0	1.6	8.0
N0504.050-025-NP	M 5	25	10	11.0	1.6	8.0
N0504.050-030-NP	M 5	30	10	11.0	1.6	8.0
N0504.050-035-NP	M 5	35	10	11.0	1.6	8.0
N0504.050-040-NP	M 5	40	10	11.0	1.6	8.0
N0504.060-010-NP	M 6	10	12	6.0	2.0	10.0
N0504.060-012-NP	M 6	12	12	6.0	2.0	10.0
N0504.060-015-NP	M 6	15	12	11.0	2.0	10.0
N0504.060-018-NP	M 6	18	12	12.0	2.0	10.0



Male-Female Hexagonal Spacers

Natural PEEK

PEEK Fasteners

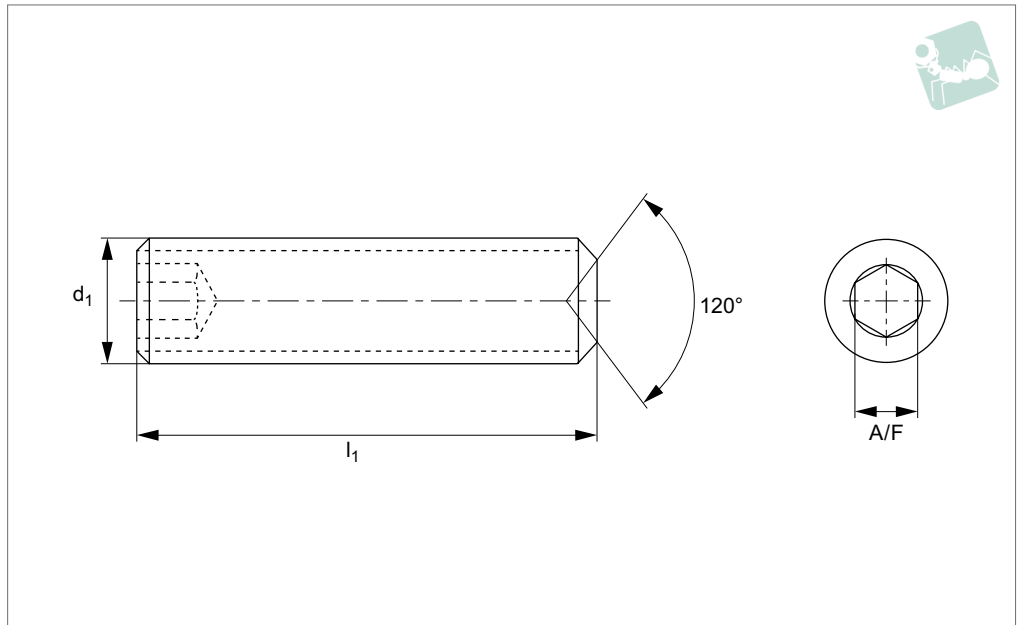


Order No.	d ₁	l ₁	l ₂	l ₃	l ₄ max.	A/F
N0504.060-020-NP	M 6	20	12	12.0	2.0	10.0
N0504.060-025-NP	M 6	25	12	12.0	2.0	10.0
N0504.060-030-NP	M 6	30	12	12.0	2.0	10.0
N0504.060-035-NP	M 6	35	12	12.0	2.0	10.0
N0504.060-040-NP	M 6	40	12	12.0	2.0	10.0

PEEK FASTENERS



N0507.NP



Material

Natural Polyether-ether-ketone (PEEK).
Beige.

A high performance plastic with very good durability and wear resistance. PEEK has excellent chemical resistance and performs well at temperatures up to 260°C.

Tensile strength ~116N/mm².

Technical Notes

Generally to DIN 916.

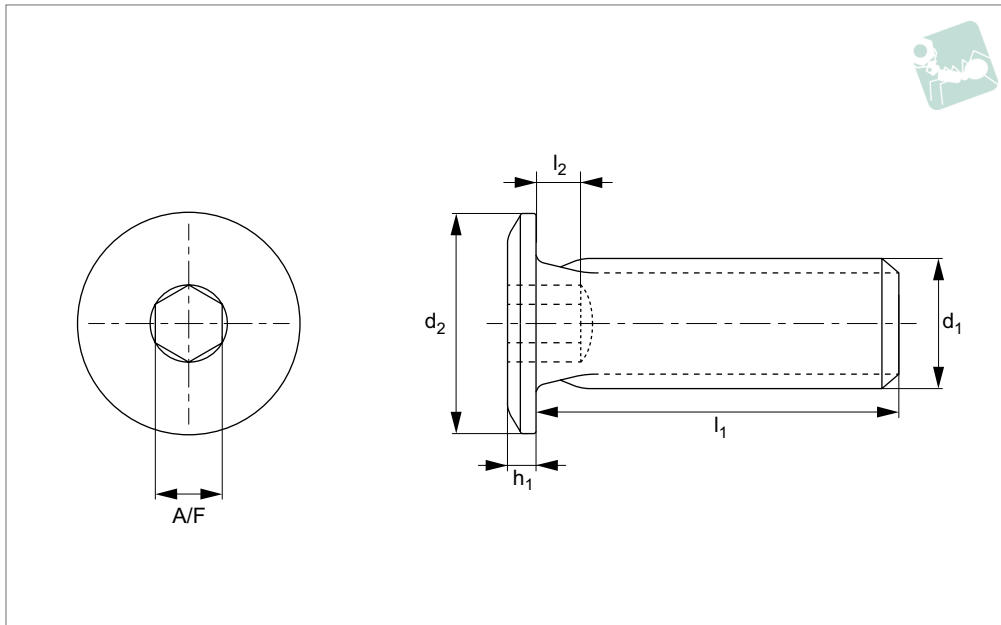
Order No.	d ₁	l ₁ +/-0.2	A/F
N0507.030-004-NP	M 3	4	1.5
N0507.030-006-NP	M 3	6	1.5
N0507.030-008-NP	M 3	8	1.5
N0507.030-010-NP	M 3	10	1.5
N0507.030-012-NP	M 3	12	1.5
N0507.030-015-NP	M 3	15	1.5
N0507.040-006-NP	M 4	6	2.0
N0507.040-008-NP	M 4	8	2.0
N0507.040-010-NP	M 4	10	2.0
N0507.040-012-NP	M 4	12	2.0
N0507.040-015-NP	M 4	15	2.0
N0507.040-020-NP	M 4	20	2.0
N0507.050-006-NP	M 5	6	2.5
N0507.050-008-NP	M 5	8	2.5
N0507.050-010-NP	M 5	10	2.5
N0507.050-012-NP	M 5	12	2.5
N0507.050-015-NP	M 5	15	2.5
N0507.050-020-NP	M 5	20	2.5
N0507.060-006-NP	M 6	6	3.0
N0507.060-008-NP	M 6	8	3.0
N0507.060-010-NP	M 6	10	3.0
N0507.060-012-NP	M 6	12	3.0
N0507.060-015-NP	M 6	15	3.0
N0507.060-020-NP	M 6	20	3.0
N0507.060-025-NP	M 6	25	3.0
N0507.080-010-NP	M 8	10	4.0
N0507.080-012-NP	M 8	12	4.0
N0507.080-015-NP	M 8	15	4.0
N0507.080-020-NP	M 8	20	4.0
N0507.080-025-NP	M 8	25	4.0
N0507.080-030-NP	M 8	30	4.0



Ultra Low Head Cap Screws

Natural PEEK

PEEK Fasteners



N0508.NP

PEEK FASTENERS

Material

Polyether Ether Ketone (PEEK) is a high performance engineering plastic, known for its durability and chemical resistance. It has excellent dimensional stability and a maximum operating temperature of 260°C.

Natural PEEK is used in this range which is light brown in colour.

Technical Notes

PEEK is used in the aerospace and petrochemical industries. For food and

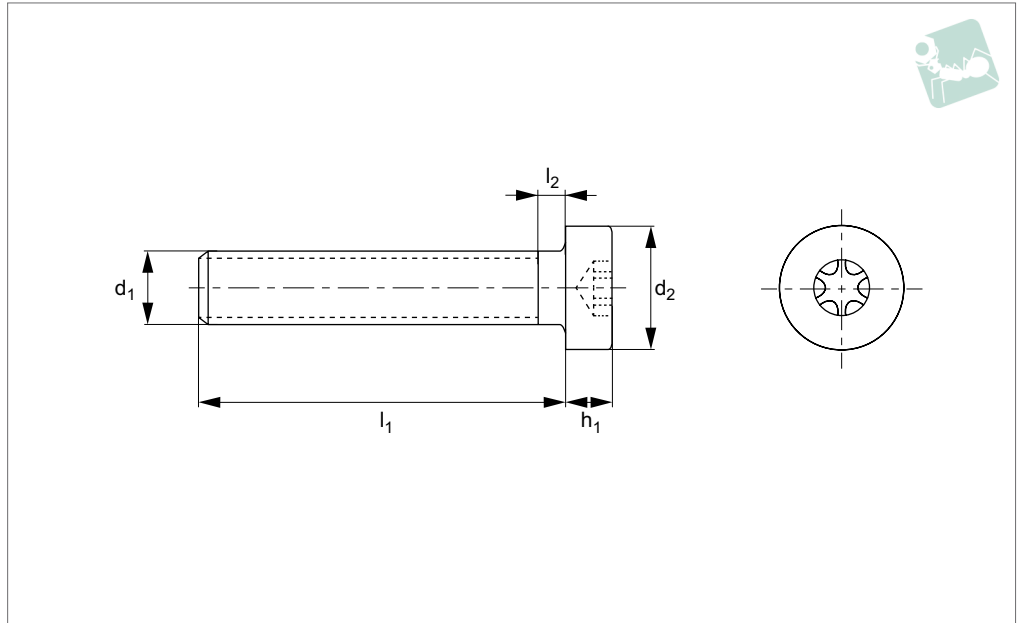
pharmaceutical industries we can offer these products in a compound that is FDA compliant, as well as highly optically and metal detectable.

Metal detectable & biocompatible versions available on request.

Order No.	d ₁	l ₁ +/-0.2	d ₂	h ₁	l ₂ max.	A/F
N0508.030-008-NP	M 3	8	6	0.8	1.0	1.5
N0508.030-010-NP	M 3	10	6	0.8	1.0	1.5
N0508.030-012-NP	M 3	12	6	0.8	1.0	1.5
N0508.030-015-NP	M 3	15	6	0.8	1.0	1.5
N0508.030-020-NP	M 3	20	6	0.8	1.0	1.5
N0508.030-025-NP	M 3	25	6	0.8	1.0	1.5
N0508.040-008-NP	M 4	8	8	0.9	1.4	2.0
N0508.040-010-NP	M 4	10	8	0.9	1.4	2.0
N0508.040-012-NP	M 4	12	8	0.9	1.4	2.0
N0508.040-015-NP	M 4	15	8	0.9	1.4	2.0
N0508.040-020-NP	M 4	20	8	0.9	1.4	2.0
N0508.040-025-NP	M 4	25	8	0.9	1.4	2.0
N0508.050-008-NP	M 5	8	9	1.0	1.6	2.5
N0508.050-012-NP	M 5	12	9	1.0	1.6	2.5
N0508.050-015-NP	M 5	15	9	1.0	1.6	2.5
N0508.050-020-NP	M 5	20	9	1.0	1.6	2.5
N0508.050-025-NP	M 5	25	9	1.0	1.6	2.5
N0508.050-030-NP	M 5	30	9	1.0	1.6	2.5
N0508.060-010-NP	M 6	10	10	1.2	2.0	3.0
N0508.060-012-NP	M 6	12	10	1.2	2.0	3.0
N0508.060-015-NP	M 6	15	10	1.2	2.0	3.0
N0508.060-020-NP	M 6	20	10	1.2	2.0	3.0
N0508.060-025-NP	M 6	25	10	1.2	2.0	3.0
N0508.060-030-NP	M 6	30	10	1.2	2.0	3.0



N0509.NP



Material

Natural Polyether-ether-ketone (PEEK).
Beige.

A high performance plastic with very good durability and wear resistance. PEEK has excellent chemical resistance and performs well at temperatures up to 260°C.

Tensile strength ~116N/mm².

Metal detectable & biocompatible versions available on request.

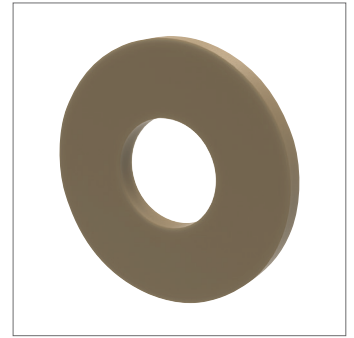
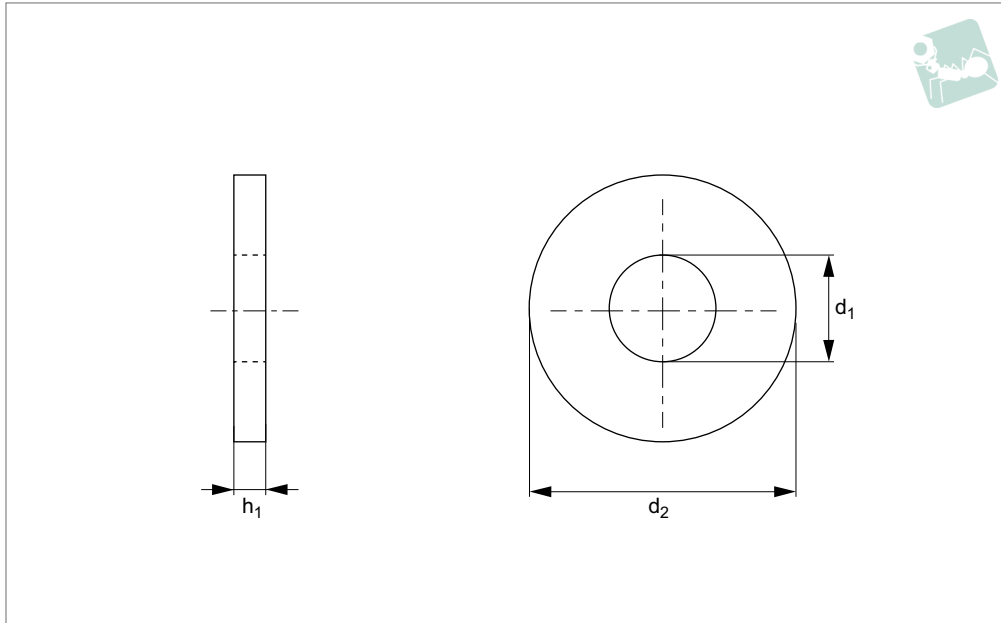
Order No.	d ₁	l ₁ +/-0.2	d ₂	h ₁	l ₂ max.	TX size
N0509.030-006-NP	M 3	6	5.5	2.40	1.0	TX-10
N0509.030-008-NP	M 3	8	5.5	2.40	1.0	TX-10
N0509.030-010-NP	M 3	10	5.5	2.40	1.0	TX-10
N0509.030-012-NP	M 3	12	5.5	2.40	1.0	TX-10
N0509.030-016-NP	M 3	16	5.5	2.40	1.0	TX-10
N0509.030-020-NP	M 3	20	5.5	2.40	1.0	TX-10
N0509.040-006-NP	M 4	6	7.0	3.10	1.4	TX-20
N0509.040-008-NP	M 4	8	7.0	3.10	1.4	TX-20
N0509.040-010-NP	M 4	10	7.0	3.10	1.4	TX-20
N0509.040-012-NP	M 4	12	7.0	3.10	1.4	TX-20
N0509.040-016-NP	M 4	16	7.0	3.10	1.4	TX-20
N0509.040-020-NP	M 4	20	7.0	3.10	1.4	TX-20
N0509.040-025-NP	M 4	25	7.0	3.10	1.4	TX-20
N0509.050-008-NP	M 5	8	8.5	3.65	1.6	TX-25
N0509.050-010-NP	M 5	10	8.5	3.65	1.6	TX-25
N0509.050-012-NP	M 5	12	8.5	3.65	1.6	TX-25
N0509.050-016-NP	M 5	16	8.5	3.65	1.6	TX-25
N0509.050-020-NP	M 5	20	8.5	3.65	1.6	TX-25
N0509.050-025-NP	M 5	25	8.5	3.65	1.6	TX-25
N0509.050-030-NP	M 5	30	8.5	3.65	1.6	TX-25
N0509.060-010-NP	M 6	10	10.0	4.40	2.0	TX-30
N0509.060-012-NP	M 6	12	10.0	4.40	2.0	TX-30
N0509.060-016-NP	M 6	16	10.0	4.40	2.0	TX-30
N0509.060-020-NP	M 6	20	10.0	4.40	2.0	TX-30
N0509.060-025-NP	M 6	25	10.0	4.40	2.0	TX-30
N0509.060-030-NP	M 6	30	10.0	4.40	2.0	TX-30
N0509.060-040-NP	M 6	40	10.0	4.40	2.0	TX-30



Washers

Natural PEEK

PEEK Fasteners



N0510.NP

PEEK FASTENERS

Material

Natural Polyether-ether-ketone (PEEK).
Beige.

A high performance plastic with very good durability and wear resistance. PEEK has excellent chemical resistance and performs well at temperatures up to 260°C.

Tensile strength ~116N/mm².

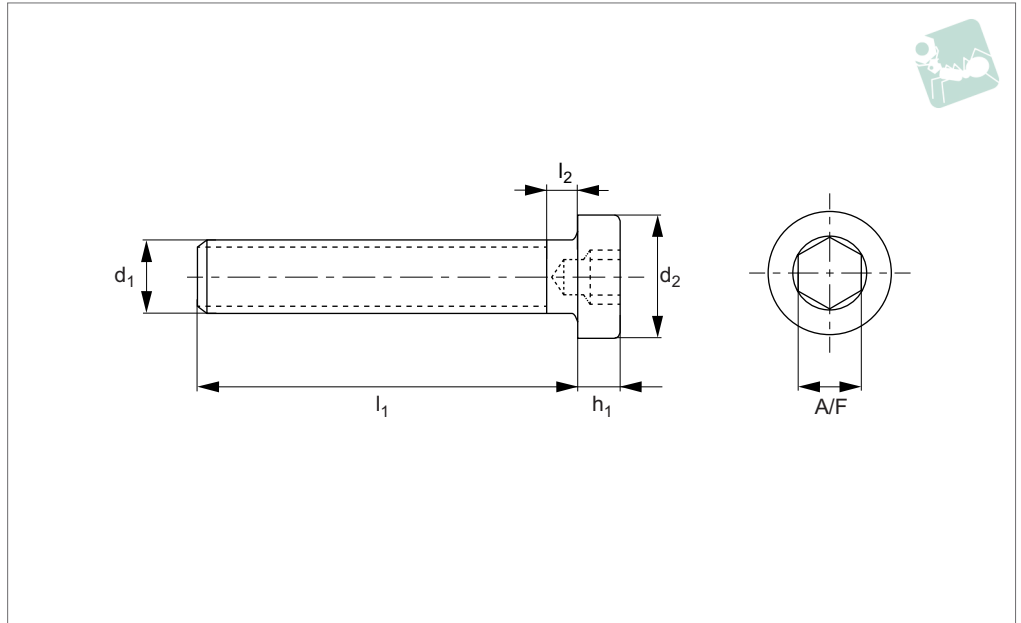
Technical Notes

Generally to DIN 125.

Order No.	For thread	h_1	d_1	d_2
N0510.030-NP	M 3	0.5	3.2	7.0
N0510.040-NP	M 4	0.8	4.3	9.0
N0510.050-NP	M 5	1.0	5.3	10.0
N0510.060-NP	M 6	1.6	6.4	12.5
N0510.080-NP	M 8	1.6	8.4	17.0
N0510.100-NP	M 10	2.0	10.5	21.0



N0511.NP



Material

Natural Polyether-ether-ketone (PEEK).
Beige.

A high performance plastic with very good durability and wear resistance. PEEK has excellent chemical resistance and performs well at temperatures up to 260°C.

Tensile strength ~116N/mm².

Metal detectable & biocompatible versions available on request.

Order No.	d ₁	l ₁ +/-0.2	d ₂	h ₁	l ₂ max.	A/F
N0511.030-006-NP	M 3	6	5.5	2.40	1.0	2.0
N0511.030-008-NP	M 3	8	5.5	2.40	1.0	2.0
N0511.030-010-NP	M 3	10	5.5	2.40	1.0	2.0
N0511.030-012-NP	M 3	12	5.5	2.40	1.0	2.0
N0511.030-016-NP	M 3	16	5.5	2.40	1.0	2.0
N0511.030-020-NP	M 3	20	5.5	2.40	1.0	2.0
N0511.040-006-NP	M 4	6	7.0	3.10	1.4	2.5
N0511.040-008-NP	M 4	8	7.0	3.10	1.4	2.5
N0511.040-010-NP	M 4	10	7.0	3.10	1.4	2.5
N0511.040-012-NP	M 4	12	7.0	3.10	1.4	2.5
N0511.040-016-NP	M 4	16	7.0	3.10	1.4	2.5
N0511.040-020-NP	M 4	20	7.0	3.10	1.4	2.5
N0511.040-025-NP	M 4	25	7.0	3.10	1.4	2.5
N0511.050-008-NP	M 5	8	8.5	3.65	1.6	3.0
N0511.050-010-NP	M 5	10	8.5	3.65	1.6	3.0
N0511.050-012-NP	M 5	12	8.5	3.65	1.6	3.0
N0511.050-016-NP	M 5	16	8.5	3.65	1.6	3.0
N0511.050-020-NP	M 5	20	8.5	3.65	1.6	3.0
N0511.050-025-NP	M 5	25	8.5	3.65	1.6	3.0
N0511.050-030-NP	M 5	30	8.5	3.65	1.6	3.0
N0511.060-010-NP	M 6	10	10.0	4.40	2.0	4.0
N0511.060-012-NP	M 6	12	10.0	4.40	2.0	4.0
N0511.060-016-NP	M 6	16	10.0	4.40	2.0	4.0
N0511.060-020-NP	M 6	20	10.0	4.40	2.0	4.0
N0511.060-025-NP	M 6	25	10.0	4.40	2.0	4.0
N0511.060-030-NP	M 6	30	10.0	4.40	2.0	4.0
N0511.060-040-NP	M 6	40	10.0	4.40	2.0	4.0

Why choose PEEK Precision Fasteners?

- ✓ High strength-to-weight ratio
- ✓ Exceptional chemical & heat resistance
- ✓ Low outgassing for vacuum applications
- ✓ Non-magnetic & electrically insulating

Industrial Applications



Aerospace

Holding heat sensitive components securely.



Medical Devices

Corrosion resistant fasteners for cleanroom use.



Semiconductor Manufacturing

Preventing contamination in ultra-clean environments.

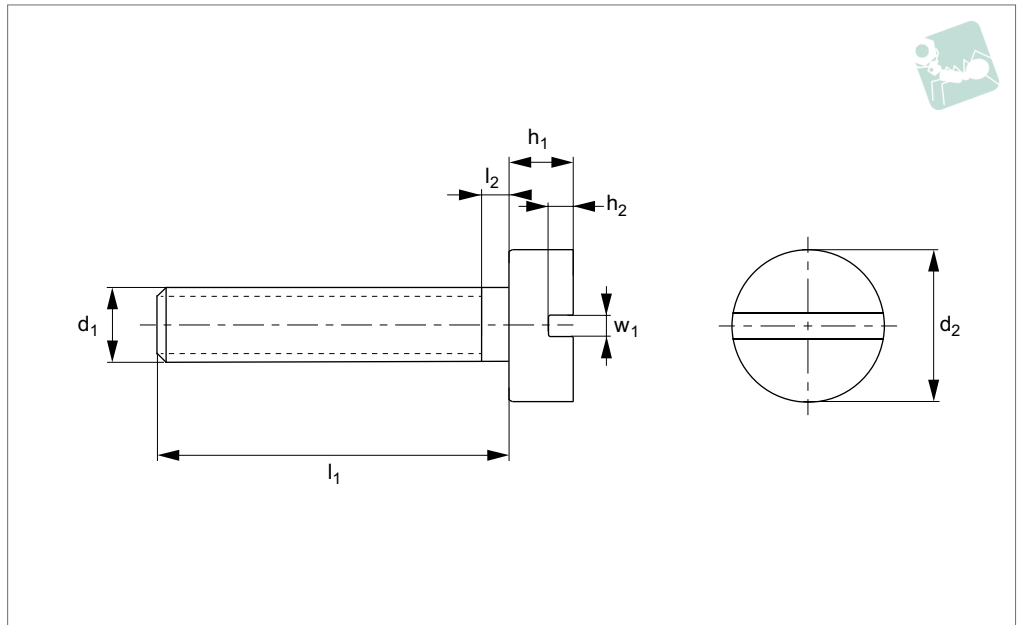


Vacuum Technology

Reducing pump-down time with vented screws.



N0512.NP



Material

Natural Polyether-ether-ketone (PEEK).
Beige.
A high performance plastic with very good

durability and wear resistance. PEEK has excellent chemical resistance and performs well at temperatures up to 260°C.
Tensile strength ~116N/mm².

Technical Notes

To DIN 84.
Metal detectable & biocompatible versions available on request.

Order No.	d ₁	l ₁ +/-0.2	d ₂	h ₁	l ₂ max	h ₂	w ₁
N0512.020-006-NP	M 2	6	3.8	1.4	0.8	0.6	0.5
N0512.020-008-NP	M 2	8	3.8	1.4	0.8	0.6	0.5
N0512.020-010-NP	M 2	10	3.8	1.4	0.8	0.6	0.5
N0512.020-012-NP	M 2	12	3.8	1.4	0.8	0.6	0.5
N0512.020-015-NP	M 2	15	3.8	1.4	0.8	0.6	0.5
N0512.020-020-NP	M 2	20	3.8	1.4	0.8	0.6	0.5
N0512.025-006-NP	M 2.5	6	4.5	1.8	0.9	0.7	0.6
N0512.025-008-NP	M 2.5	8	4.5	1.8	0.9	0.7	0.6
N0512.025-010-NP	M 2.5	10	4.5	1.8	0.9	0.7	0.6
N0512.025-012-NP	M 2.5	12	4.5	1.8	0.9	0.7	0.6
N0512.025-015-NP	M 2.5	15	4.5	1.8	0.9	0.7	0.6
N0512.025-020-NP	M 2.5	20	4.5	1.8	0.9	0.7	0.6
N0512.030-004-NP	M 3	4	5.5	2.0	1.0	0.8	0.8
N0512.030-006-NP	M 3	6	5.5	2.0	1.0	0.8	0.8
N0512.030-008-NP	M 3	8	5.5	2.0	1.0	0.8	0.8
N0512.030-010-NP	M 3	10	5.5	2.0	1.0	0.8	0.8
N0512.030-012-NP	M 3	12	5.5	2.0	1.0	0.8	0.8
N0512.030-015-NP	M 3	15	5.5	2.0	1.0	0.8	0.8
N0512.030-020-NP	M 3	20	5.5	2.0	1.0	0.8	0.8
N0512.030-025-NP	M 3	25	5.5	2.0	1.0	0.8	0.8
N0512.030-030-NP	M 3	30	5.5	2.0	1.0	0.8	0.8
N0512.040-006-NP	M 4	6	7.0	2.6	1.4	1.1	1.2
N0512.040-008-NP	M 4	8	7.0	2.6	1.4	1.1	1.2
N0512.040-010-NP	M 4	10	7.0	2.6	1.4	1.1	1.2
N0512.040-012-NP	M 4	12	7.0	2.6	1.4	1.1	1.2
N0512.040-015-NP	M 4	15	7.0	2.6	1.4	1.1	1.2
N0512.040-020-NP	M 4	20	7.0	2.6	1.4	1.1	1.2
N0512.040-025-NP	M 4	25	7.0	2.6	1.4	1.1	1.2
N0512.050-008-NP	M 5	8	8.5	3.3	1.6	1.3	1.2
N0512.050-010-NP	M 5	10	8.5	3.3	1.6	1.3	1.2
N0512.050-012-NP	M 5	12	8.5	3.3	1.6	1.3	1.2
N0512.050-015-NP	M 5	15	8.5	3.3	1.6	1.3	1.2
N0512.050-020-NP	M 5	20	8.5	3.3	1.6	1.3	1.2
N0512.050-030-NP	M 5	30	8.5	3.3	1.6	1.3	1.2



Slotted Cheese Head Screws

Natural PEEK

PEEK Fasteners

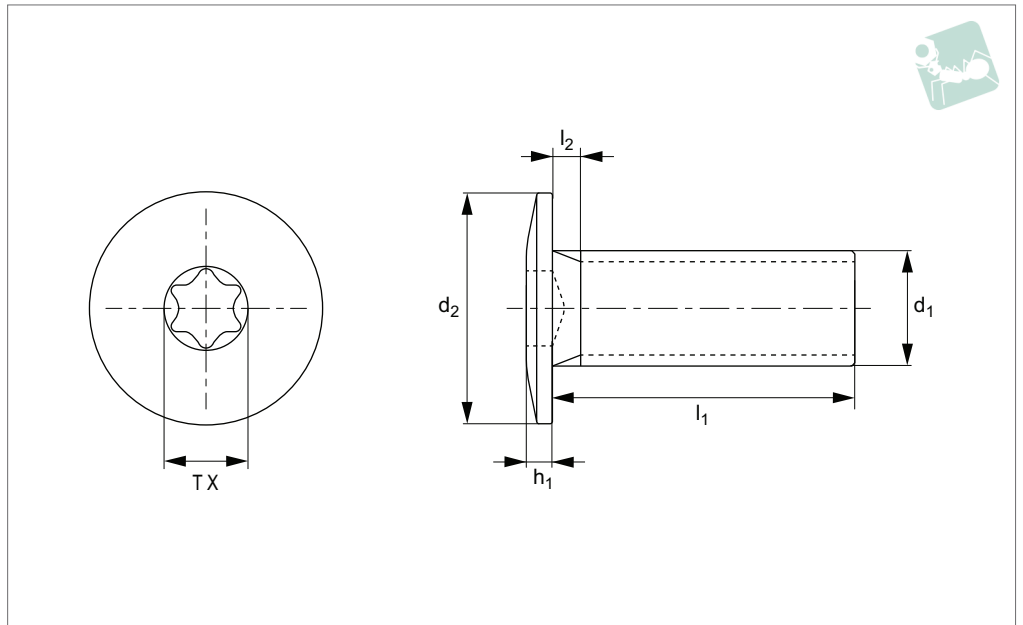


Order No.	d ₁	l ₁ +/-0.2	d ₂	h ₁	l ₂ max	h ₂	w ₁
N0512.060-008-NP	M 6	8	10.0	3.9	2.0	1.6	1.6
N0512.060-010-NP	M 6	10	10.0	3.9	2.0	1.6	1.6
N0512.060-012-NP	M 6	12	10.0	3.9	2.0	1.6	1.6
N0512.060-015-NP	M 6	15	10.0	3.9	2.0	1.6	1.6
N0512.060-020-NP	M 6	20	10.0	3.9	2.0	1.6	1.6
N0512.060-025-NP	M 6	25	10.0	3.9	2.0	1.6	1.6
N0512.060-030-NP	M 6	30	10.0	3.9	2.0	1.6	1.6
N0512.060-035-NP	M 6	35	10.0	3.9	2.0	1.6	1.6
N0512.060-040-NP	M 6	40	10.0	3.9	2.0	1.6	1.6
N0512.080-010-NP	M 8	10	13.0	5.0	2.5	2.0	2.3
N0512.080-015-NP	M 8	15	13.0	5.0	2.5	2.0	2.3
N0512.080-020-NP	M 8	20	13.0	5.0	2.5	2.0	2.3
N0512.080-025-NP	M 8	25	13.0	5.0	2.5	2.0	2.3
N0512.080-030-NP	M 8	30	13.0	5.0	2.5	2.0	2.3
N0512.080-035-NP	M 8	35	13.0	5.0	2.5	2.0	2.3
N0512.080-040-NP	M 8	40	13.0	5.0	2.5	2.0	2.3

PEEK FASTENERS



N0513.NP



Material

Natural Polyether-ether-ketone (PEEK).
Beige.

A high performance plastic with very good durability and wear resistance. PEEK has excellent chemical resistance and performs well at temperatures up to 260°C.

Tensile strength ~116N/mm².

Metal detectable & biocompatible versions available on request.

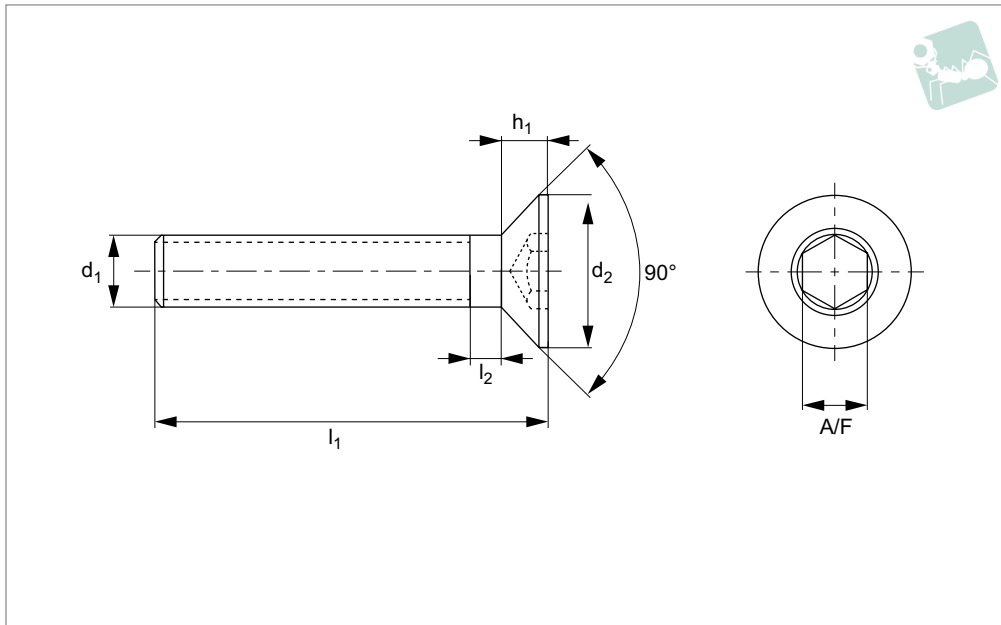
Order No.	d ₁	l ₁ +/-0.2	d ₂	h ₁	l ₂ max.	TX size
N0513.030-006-NP	M 3	6	6	1.3	1.0	8
N0513.030-008-NP	M 3	8	6	1.3	1.0	8
N0513.030-010-NP	M 3	10	6	1.3	1.0	8
N0513.030-012-NP	M 3	12	6	1.3	1.0	8
N0513.030-016-NP	M 3	16	6	1.3	1.0	8
N0513.030-020-NP	M 3	20	6	1.3	1.0	8
N0513.040-006-NP	M 4	6	8	1.5	1.4	10
N0513.040-008-NP	M 4	8	8	1.5	1.4	10
N0513.040-010-NP	M 4	10	8	1.5	1.4	10
N0513.040-012-NP	M 4	12	8	1.5	1.4	10
N0513.040-016-NP	M 4	16	8	1.5	1.4	10
N0513.040-020-NP	M 4	20	8	1.5	1.4	10
N0513.040-025-NP	M 4	25	8	1.5	1.4	10
N0513.050-008-NP	M 5	8	9	1.5	1.6	15
N0513.050-010-NP	M 5	10	9	1.5	1.6	15
N0513.050-012-NP	M 5	12	9	1.5	1.6	15
N0513.050-016-NP	M 5	16	9	1.5	1.6	15
N0513.050-020-NP	M 5	20	9	1.5	1.6	15
N0513.050-025-NP	M 5	25	9	1.5	1.6	15
N0513.050-030-NP	M 5	30	9	1.5	1.6	15
N0513.060-010-NP	M 6	10	10	1.5	2.0	20
N0513.060-012-NP	M 6	12	10	1.5	2.0	20
N0513.060-016-NP	M 6	16	10	1.5	2.0	20
N0513.060-020-NP	M 6	20	10	1.5	2.0	20
N0513.060-025-NP	M 6	25	10	1.5	2.0	20
N0513.060-030-NP	M 6	30	10	1.5	2.0	20
N0513.060-035-NP	M 6	35	10	1.5	2.0	20
N0513.060-040-NP	M 6	40	10	1.5	2.0	20



Countersunk Hexagon Head Screws

Natural PEEK

PEEK Fasteners



N0514.NP

PEEK FASTENERS

Material

Natural Polyether-ether-ketone (PEEK).
Beige.
A high performance plastic with very good

durability and wear resistance. PEEK has excellent chemical resistance and performs well at temperatures up to 260°C.
Tensile strength ~116N/mm².

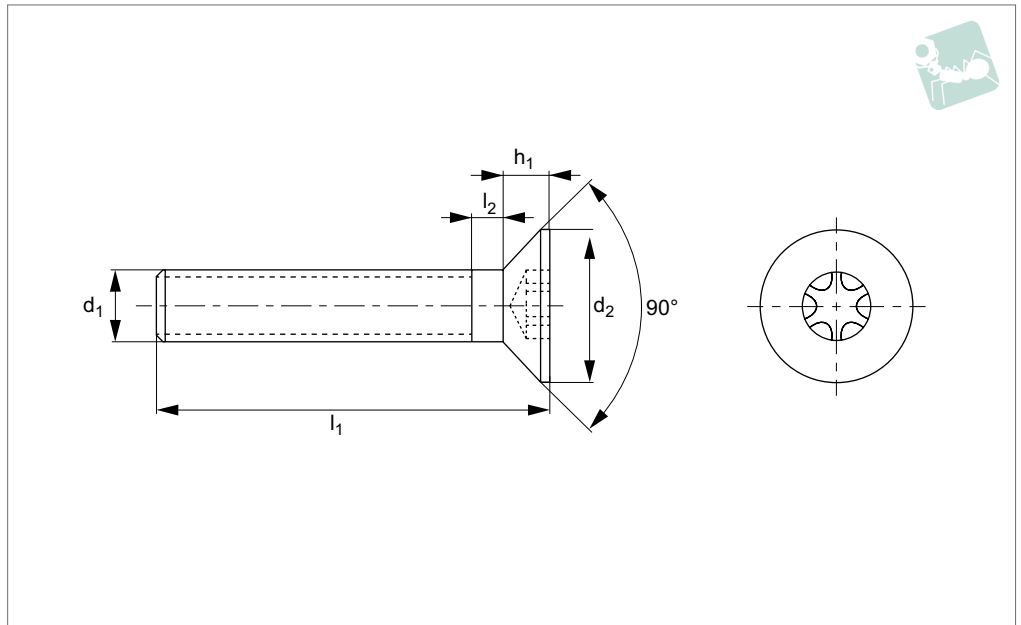
Technical Notes

Generally to DIN 7991.
Metal detectable & biocompatible versions available on request.

Order No.	d ₁	l ₁ +/-0.2	d ₂	h ₁	l ₂ max.	A/F
N0514.030-008-NP	M 3	8	6	1.7	1.0	2.0
N0514.030-010-NP	M 3	10	6	1.7	1.0	2.0
N0514.030-012-NP	M 3	12	6	1.7	1.0	2.0
N0514.030-016-NP	M 3	16	6	1.7	1.0	2.0
N0514.030-020-NP	M 3	20	6	1.7	1.0	2.0
N0514.040-008-NP	M 4	8	8	2.3	1.4	2.5
N0514.040-010-NP	M 4	10	8	2.3	1.4	2.5
N0514.040-012-NP	M 4	12	8	2.3	1.4	2.5
N0514.040-016-NP	M 4	16	8	2.3	1.4	2.5
N0514.040-020-NP	M 4	20	8	2.3	1.4	2.5
N0514.040-025-NP	M 4	25	8	2.3	1.4	2.5
N0514.050-008-NP	M 5	8	10	2.8	1.6	3.0
N0514.050-010-NP	M 5	10	10	2.8	1.6	3.0
N0514.050-012-NP	M 5	12	10	2.8	1.6	3.0
N0514.050-016-NP	M 5	16	10	2.8	1.6	3.0
N0514.050-020-NP	M 5	20	10	2.8	1.6	3.0
N0514.050-025-NP	M 5	25	10	2.8	1.6	3.0
N0514.050-030-NP	M 5	30	10	2.8	1.6	3.0
N0514.060-008-NP	M 6	8	12	3.3	2.0	4.0
N0514.060-010-NP	M 6	10	12	3.3	2.0	4.0
N0514.060-012-NP	M 6	12	12	3.3	2.0	4.0
N0514.060-015-NP	M 6	15	12	3.3	2.0	4.0
N0514.060-016-NP	M 6	16	12	3.3	2.0	4.0
N0514.060-020-NP	M 6	20	12	3.3	2.0	4.0
N0514.060-025-NP	M 6	25	12	3.3	2.0	4.0
N0514.060-030-NP	M 6	30	12	3.3	2.0	4.0
N0514.060-035-NP	M 6	35	12	3.3	2.0	4.0



N0515.NP



PEEK FASTENERS

Material

Natural Polyether-ether-ketone (PEEK).
Beige.

A high performance plastic with very good durability and wear resistance. PEEK has excellent chemical resistance and performs well at temperatures up to 260°C.

Tensile strength ~116N/mm².

Metal detectable & biocompatible versions available on request.

Order No.	d ₁	l ₁ +/-0.2	d ₂	l ₂ max.	h ₁	Size
N0515.020-004-NP	M 2	4	4	0.8	1.20	TX-6
N0515.020-006-NP	M 2	6	4	0.8	1.20	TX-6
N0515.020-008-NP	M 2	8	4	0.8	1.20	TX-6
N0515.020-010-NP	M 2	10	4	0.8	1.20	TX-6
N0515.020-012-NP	M 2	12	4	0.8	1.20	TX-6
N0515.020-015-NP	M 2	15	4	0.8	1.20	TX-6
N0515.020-020-NP	M 2	20	4	0.8	1.20	TX-6
N0515.025-004-NP	M 2.5	4	4	0.9	1.50	TX-8
N0515.025-006-NP	M 2.5	6	5	0.9	1.50	TX-8
N0515.025-008-NP	M 2.5	8	5	0.9	1.50	TX-8
N0515.025-010-NP	M 2.5	10	5	0.9	1.50	TX-8
N0515.025-012-NP	M 2.5	12	5	0.9	1.50	TX-8
N0515.025-015-NP	M 2.5	15	5	0.9	1.50	TX-8
N0515.025-020-NP	M 2.5	20	5	0.9	1.50	TX-8
N0515.030-004-NP	M 3	4	6	1.0	1.65	TX-10
N0515.030-006-NP	M 3	6	6	1.0	1.65	TX-10
N0515.030-008-NP	M 3	8	6	1.0	1.65	TX-10
N0515.030-010-NP	M 3	10	6	1.0	1.65	TX-10
N0515.030-012-NP	M 3	12	6	1.0	1.65	TX-10
N0515.030-015-NP	M 3	15	6	1.0	1.65	TX-10
N0515.030-020-NP	M 3	20	6	1.0	1.65	TX-10
N0515.030-025-NP	M 3	25	6	1.0	1.65	TX-10
N0515.030-030-NP	M 3	30	6	1.0	1.65	TX-10
N0515.040-006-NP	M 4	6	8	1.4	2.20	TX-20
N0515.040-008-NP	M 4	8	8	1.4	2.20	TX-20
N0515.040-010-NP	M 4	10	8	1.4	2.20	TX-20
N0515.040-012-NP	M 4	12	8	1.4	2.20	TX-20
N0515.040-015-NP	M 4	15	8	1.4	2.20	TX-20
N0515.040-020-NP	M 4	20	8	1.4	2.20	TX-20
N0515.040-025-NP	M 4	25	8	1.4	2.20	TX-20
N0515.040-030-NP	M 4	30	8	1.4	2.20	TX-20
N0515.050-008-NP	M 5	8	10	1.6	2.50	TX-25
N0515.050-010-NP	M 5	10	10	1.6	2.50	TX-25
N0515.050-012-NP	M 5	12	10	1.6	2.50	TX-25



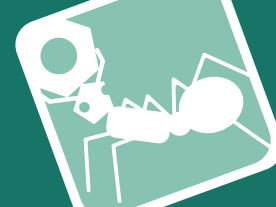
Torx Countersunk Head Screws

Natural PEEK

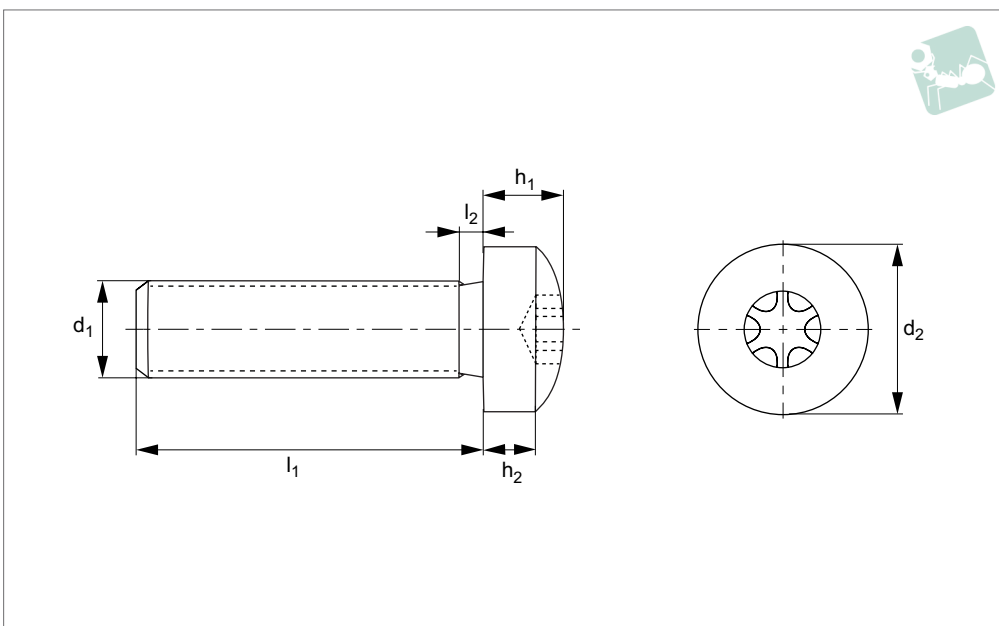
PEEK Fasteners



Order No.	d ₁	l ₁ +/-0.2	d ₂	l ₂ max.	h ₁	Size
N0515.050-015-NP	M 5	15	10	1.6	2.50	TX-25
N0515.050-020-NP	M 5	20	10	1.6	2.50	TX-25
N0515.050-025-NP	M 5	25	10	1.6	2.50	TX-25
N0515.050-030-NP	M 5	30	10	1.6	2.50	TX-25
N0515.060-008-NP	M 6	8	12	2.0	3.00	TX-30
N0515.060-010-NP	M 6	10	12	2.0	3.00	TX-30
N0515.060-012-NP	M 6	12	12	2.0	3.00	TX-30
N0515.060-015-NP	M 6	15	12	2.0	3.00	TX-30
N0515.060-020-NP	M 6	20	12	2.0	3.00	TX-30
N0515.060-025-NP	M 6	25	12	2.0	3.00	TX-30
N0515.060-030-NP	M 6	30	12	2.0	3.00	TX-30
N0515.080-010-NP	M 8	10	16	2.5	4.00	TX-35
N0515.080-015-NP	M 8	15	16	2.5	4.00	TX-35
N0515.080-020-NP	M 8	20	16	2.5	4.00	TX-35
N0515.080-025-NP	M 8	25	16	2.5	4.00	TX-35
N0515.080-030-NP	M 8	30	16	2.5	4.00	TX-35



N0520.NP



Material

Natural Polyether-ether-ketone (PEEK).
Beige.

A high performance plastic with very good durability and wear resistance. PEEK has excellent chemical resistance and performs well at temperatures up to 260°C.

Tensile strength ~116N/mm².

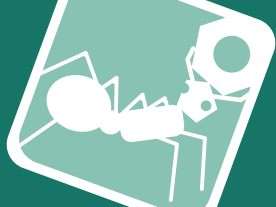
Metal detectable & biocompatible versions available on request.

Order No.	d ₁	l ₁ +/-0.2	d ₂	h ₁	Size	h ₂	l ₂ max.
N0520.020-004-NP	M 2	4	4	1.6	TX-6	1.1	0.8
N0520.020-006-NP	M 2	6	4	1.6	TX-6	1.1	0.8
N0520.020-008-NP	M 2	8	4	1.6	TX-6	1.1	0.8
N0520.020-010-NP	M 2	10	4	1.6	TX-6	1.1	0.8
N0520.020-012-NP	M 2	12	4	1.6	TX-6	1.1	0.8
N0520.020-015-NP	M 2	15	4	1.6	TX-6	1.1	0.8
N0520.020-020-NP	M 2	20	4	1.6	TX-6	1.1	0.8
N0520.025-004-NP	M 2.5	4	5	2.0	TX-8	1.3	0.9
N0520.025-006-NP	M 2.5	6	5	2.0	TX-8	1.3	0.9
N0520.025-008-NP	M 2.5	8	5	2.0	TX-8	1.3	0.9
N0520.025-010-NP	M 2.5	10	5	2.0	TX-8	1.3	0.9
N0520.025-012-NP	M 2.5	12	5	2.0	TX-8	1.3	0.9
N0520.025-015-NP	M 2.5	15	5	2.0	TX-8	1.3	0.9
N0520.025-020-NP	M 2.5	20	5	2.0	TX-8	1.3	0.9
N0520.030-004-NP	M 3	4	6	2.4	TX-10	1.6	1.0
N0520.030-006-NP	M 3	6	6	2.4	TX-10	1.6	1.0
N0520.030-008-NP	M 3	8	6	2.4	TX-10	1.6	1.0
N0520.030-010-NP	M 3	10	6	2.4	TX-10	1.6	1.0
N0520.030-012-NP	M 3	12	6	2.4	TX-10	1.6	1.0
N0520.030-015-NP	M 3	15	6	2.4	TX-10	1.6	1.0
N0520.030-020-NP	M 3	20	6	2.4	TX-10	1.6	1.0
N0520.030-025-NP	M 3	25	6	2.4	TX-10	1.6	1.0
N0520.030-030-NP	M 3	30	6	2.4	TX-10	1.6	1.0
N0520.040-006-NP	M 4	6	8	3.1	TX-20	2.0	1.4
N0520.040-008-NP	M 4	8	8	3.1	TX-20	2.0	1.4
N0520.040-010-NP	M 4	10	8	3.1	TX-20	2.0	1.4
N0520.040-012-NP	M 4	12	8	3.1	TX-20	2.0	1.4
N0520.040-015-NP	M 4	15	8	3.1	TX-20	2.0	1.4
N0520.040-020-NP	M 4	20	8	3.1	TX-20	2.0	1.4
N0520.040-025-NP	M 4	25	8	3.1	TX-20	2.0	1.4
N0520.040-030-NP	M 4	30	8	3.1	TX-20	2.0	1.4
N0520.050-008-NP	M 5	8	10	3.8	TX-25	2.5	1.6
N0520.050-010-NP	M 5	10	10	3.8	TX-25	2.5	1.6
N0520.050-012-NP	M 5	12	10	3.8	TX-25	2.5	1.6
N0520.050-015-NP	M 5	15	10	3.8	TX-25	2.5	1.6

Torx Pan Head Screws

Natural PEEK

PEEK Fasteners

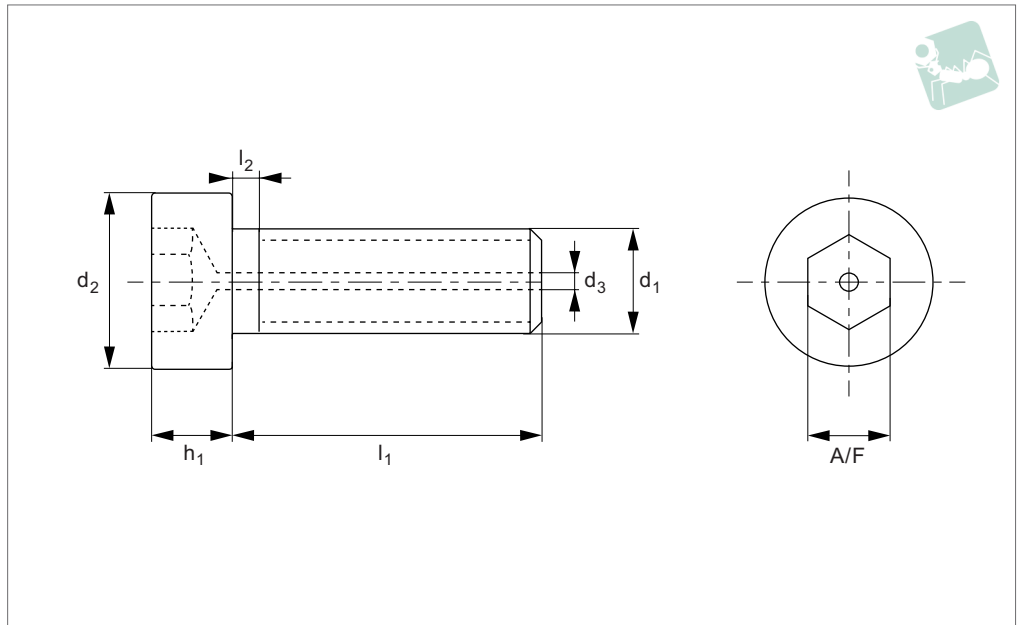


Order No.	d ₁	l ₁ +/-0.2	d ₂	h ₁	Size	h ₂	l ₂ max.
N0520.050-020-NP	M 5	20	10	3.8	TX-25	2.5	1.6
N0520.050-025-NP	M 5	25	10	3.8	TX-25	2.5	1.6
N0520.050-030-NP	M 5	30	10	3.8	TX-25	2.5	1.6
N0520.060-008-NP	M 6	8	12	4.6	TX-30	3.0	2.0
N0520.060-010-NP	M 6	10	12	4.6	TX-30	3.0	2.0
N0520.060-012-NP	M 6	12	12	4.6	TX-30	3.0	2.0
N0520.060-015-NP	M 6	15	12	4.6	TX-30	3.0	2.0
N0520.060-020-NP	M 6	20	12	4.6	TX-30	3.0	2.0
N0520.060-025-NP	M 6	25	12	4.6	TX-30	3.0	2.0
N0520.060-030-NP	M 6	30	12	4.6	TX-30	3.0	2.0
N0520.060-035-NP	M 6	35	12	4.6	TX-30	3.0	2.0
N0520.060-040-NP	M 6	40	12	4.6	TX-30	3.0	2.0
N0520.080-010-NP	M 8	10	16	6.0	TX-40	3.7	2.5
N0520.080-015-NP	M 8	15	16	6.0	TX-40	3.7	2.5
N0520.080-020-NP	M 8	20	16	6.0	TX-40	3.7	2.5
N0520.080-025-NP	M 8	25	16	6.0	TX-40	3.7	2.5
N0520.080-030-NP	M 8	30	16	6.0	TX-40	3.7	2.5
N0520.080-035-NP	M 8	35	16	6.0	TX-40	3.7	2.5
N0520.080-040-NP	M 8	40	16	6.0	TX-40	3.7	2.5

PEEK FASTENERS



N0530.NP



Material

Natural Polyether-ether-ketone (PEEK).
Beige.

A high performance plastic with very good durability and wear resistance. PEEK has excellent chemical resistance and performs well at temperatures up to 260°C.

Tensile strength ~116N/mm².

Metal detectable & biocompatible versions available on request.

Order No.	d ₁	l ₁ +/-0.2	d ₂	d ₃	h ₁	l ₂ max.	A/F
N0530.030-006-NP	M 3	6	5.5	1.0	3.0	1.0	2.5
N0530.030-008-NP	M 3	8	5.5	1.0	3.0	1.0	2.5
N0530.030-010-NP	M 3	10	5.5	1.0	3.0	1.0	2.5
N0530.030-012-NP	M 3	12	5.5	1.0	3.0	1.0	2.5
N0530.030-015-NP	M 3	15	5.5	1.0	3.0	1.0	2.5
N0530.030-020-NP	M 3	20	5.5	1.0	3.0	1.0	2.5
N0530.040-006-NP	M 4	6	7.0	1.0	4.0	1.4	3.0
N0530.040-008-NP	M 4	8	7.0	1.0	4.0	1.4	3.0
N0530.040-010-NP	M 4	10	7.0	1.0	4.0	1.4	3.0
N0530.040-012-NP	M 4	12	7.0	1.0	4.0	1.4	3.0
N0530.040-015-NP	M 4	15	7.0	1.0	4.0	1.4	3.0
N0530.040-020-NP	M 4	20	7.0	1.0	4.0	1.4	3.0
N0530.040-025-NP	M 4	25	7.0	1.0	4.0	1.4	3.0
N0530.040-030-NP	M 4	30	7.0	1.0	4.0	1.4	3.0
N0530.050-008-NP	M 5	8	8.5	1.3	5.0	1.6	4.0
N0530.050-010-NP	M 5	10	8.5	1.3	5.0	1.6	4.0
N0530.050-012-NP	M 5	12	8.5	1.3	5.0	1.6	4.0
N0530.050-015-NP	M 5	15	8.5	1.3	5.0	1.6	4.0
N0530.050-020-NP	M 5	20	8.5	1.3	5.0	1.6	4.0
N0530.050-025-NP	M 5	25	8.5	1.3	5.0	1.6	4.0
N0530.050-030-NP	M 5	30	8.5	1.3	5.0	1.6	4.0
N0530.060-008-NP	M 6	8	10.0	1.6	6.0	2.0	5.0
N0530.060-010-NP	M 6	10	10.0	1.6	6.0	2.0	5.0
N0530.060-012-NP	M 6	12	10.0	1.6	6.0	2.0	5.0
N0530.060-015-NP	M 6	15	10.0	1.6	6.0	2.0	5.0
N0530.060-020-NP	M 6	20	10.0	1.6	6.0	2.0	5.0
N0530.060-025-NP	M 6	25	10.0	1.6	6.0	2.0	5.0
N0530.060-030-NP	M 6	30	10.0	1.6	6.0	2.0	5.0
N0530.080-010-NP	M 8	10	13.0	1.8	8.0	2.5	6.0
N0530.080-015-NP	M 8	15	13.0	1.8	8.0	2.5	6.0
N0530.080-020-NP	M 8	20	13.0	1.8	8.0	2.5	6.0
N0530.080-025-NP	M 8	25	13.0	1.8	8.0	2.5	6.0
N0530.080-030-NP	M 8	30	13.0	1.8	8.0	2.5	6.0
N0530.120-015-NP	M 12	15	18.0	1.8	12.0	3.5	10.0



Cap Head Vented Screws

Natural PEEK

PEEK Fasteners



Order No.	d ₁	l ₁ +/-0.2	d ₂	d ₃	h ₁	l ₂ max.	A/F
N0530.120-020-NP	M 12	20	18.0	1.8	12.0	3.5	10.0
N0530.120-025-NP	M 12	25	18.0	1.8	12.0	3.5	10.0
N0530.120-030-NP	M 12	30	18.0	1.8	12.0	3.5	10.0

PEEK FASTENERS



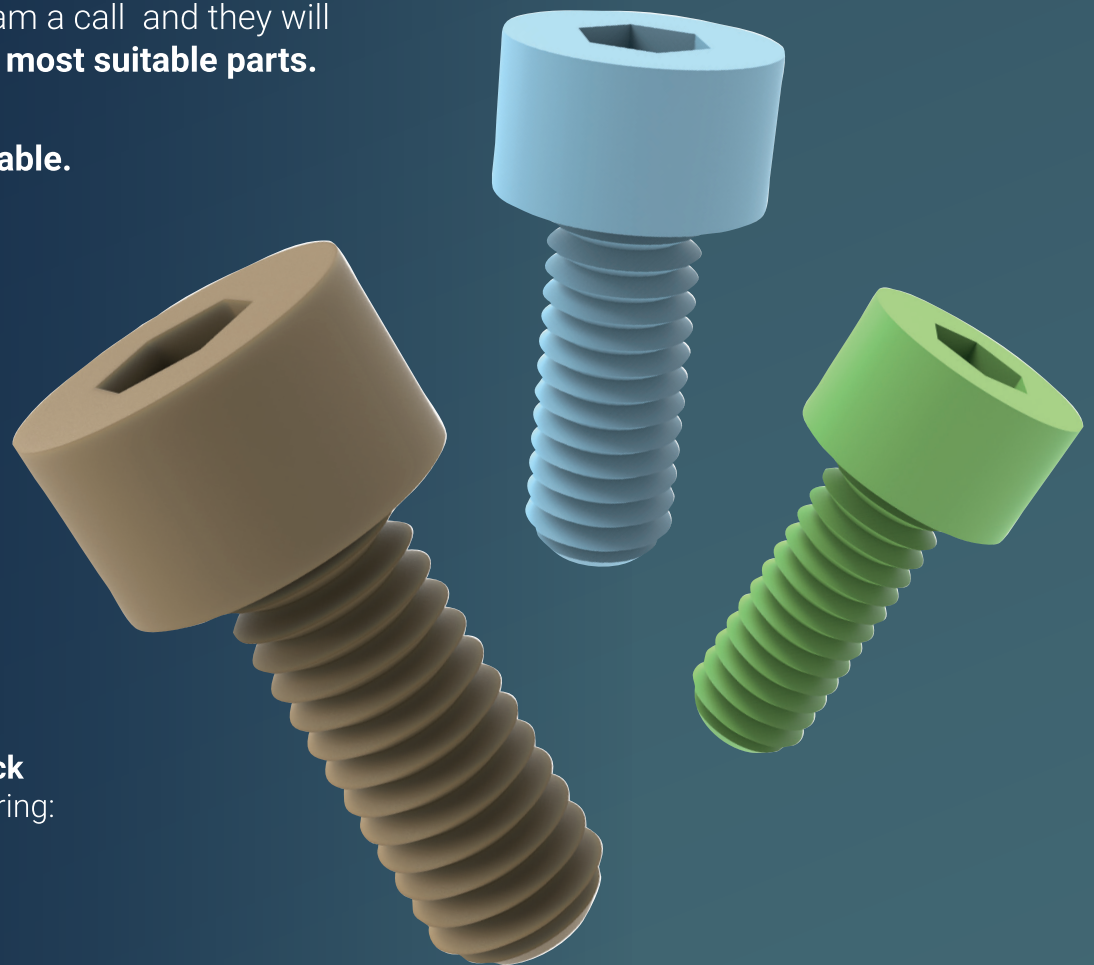
Teknipart[®]
AN ESSENTRA COMPANY

REQUEST FREE PEEK SAMPLES

Due to demand we are only able to process **one request** per customer. Call our customer service team on **0333 207 9969** or email us at **sales@teknipart.co.uk**.

Select the **most appropriate for your application**, or give our sales team a call and they will **help you select the most suitable parts**.

Limited stock available.



Please quote our **stock reference** when ordering:

PEEKSAMPLE



Why buy with us?

Consolidate your purchases to a **single supplier**

In today's fast-paced manufacturing environment, efficiency, cost-effectiveness and reliability are key to staying competitive. One of the most effective ways to streamline your operations and boost performance, is by consolidating your engineering components purchasing to a **single trusted supplier**. Through the Wixroyd Group, you can now order parts from any or all of our 3 brands on just one PO.

- ✓ **Simplified Procurement Process**
- ✓ **Streamlined Support**
- ✓ **Improved Supply Chain Efficiency**
- ✓ **Consistent Quality & Compatibility**
- ✓ **In-House Manufacturing**
- ✓ **Reduced Admin Costs**
- ✓ **Custom Solutions**
- ✓ **Environment & Sustainability**

Let us at the Wixroyd Group review your supply chain to demonstrate how our partnership can benefit you. **Chat with us today.** ▼

Wixroyd
wixroyd.com | 0333 207 4497

Automotion Components
automotioncomponents.co.uk | 0333 207 4498

Teknipart
teknipart.co.uk | 0333 207 9969

FREE
CONSULTATION

You can also fill out our online form for a free consultation:

wixroyd.com/supplierconsolidation

Manufacturing capabilities

In-House

Since moving to our Chichester site in 2019, we have brought the manufacture of our range of precision fasteners in-house. Our CNC lathes are working day and night to produce our wide selection of shoulder screws, captive screws, vented screws and more in many different sizes and materials!

To ensure we are running as efficiently as possible, we have written custom software that works with our warehouse and ordering system to reduce the average lead time significantly. Our system means that we can offer bespoke variations on our existing products with no hassle, and at lower minimum quantities.



Sealing Screws

We are the only manufacturers in Europe for Integral O-Ring Sealing Screws.



Captive Screws

Our popular range of captive screws and mounting fittings are ideal for panel applications.



Vented Screws

The highest quality vented fasteners, made in Chichester for your vacuum system.



Shoulder Screws

A massive line-up of shoulder screws in different materials and head styles.

Bespoke parts made in-house to meet customer requirements

Our range of precision fasteners; sealing, captive, shoulder and vented screws benefit from being manufactured in-house in our Chichester site. We can custom make special executions of our standard fasteners; varying thread length, thread size and material with an extremely efficient production time.

Get in touch with our technical team to discuss your ideas and see how we can help you with your project. ▼

sales@automotioncomponents.co.uk
0333 207 4498



Why order with us?



HIGH STOCK LEVELS

With a high commitment to stock holding, we can offer next day delivery on most products. We deliver what you need, whenever you need it.



STREAMLINE ORDERING PROCESS

Whether you're an account holder or choose to shop as a guest, our on-line ordering system is reliable and easy to use.



MADE IN BRITAIN

Established in 1951, the Wixroyd Group supply innovative engineering products with free online CAD models and in-house technical expertise.



HIGH QUALITY PRODUCTION

Trusted by some of the best known design & manufacturing companies, we pride ourselves on producing the highest quality components at the best value.



TECHNICAL SALES SUPPORT

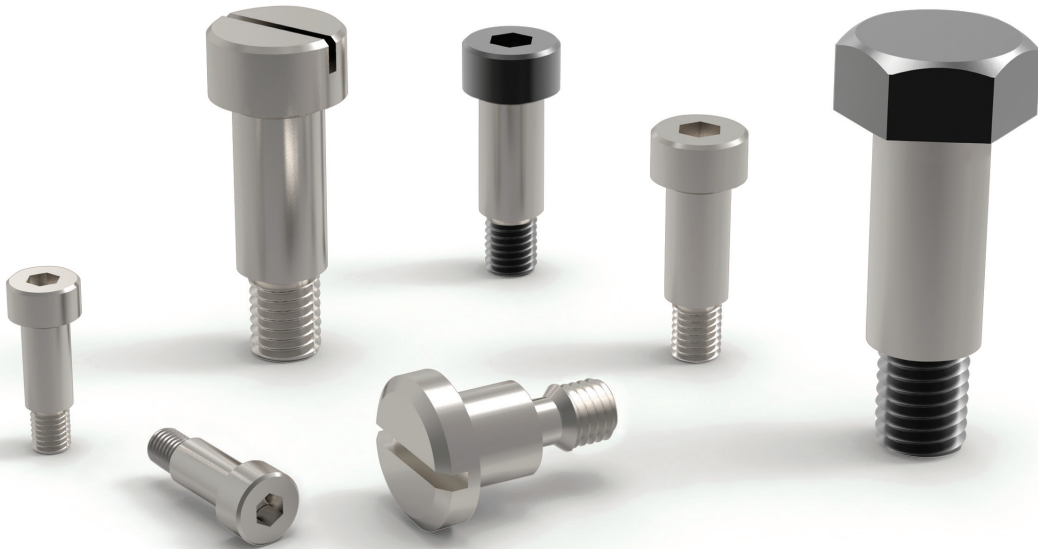
Available via telephone, email or our live web chat service, we work to find a solution for your application.



BESPOKE CAPABILITIES

Our in-house manufacturing can make your idea a reality. Call our technical team to discuss.

An introduction to Shoulder Screws



What is a shoulder screw?

Shoulder screws are also known as shoulder bolts and stripper bolts. Their sizes are normally described by the shoulder diameter x shoulder length. Once installed, the shoulder section, which is slightly larger in diameter to the threaded section, can act as a shaft for rotating bearings to create simple cam followers, pivot points or for pulley's and gears. Manufactured in house, not only do we have large volumes of

shoulder screws in stock in a wide variety of styles, materials and sizes, we are also able to manufacture specials to your bespoke requirements with very quick turnaround times.

Shoulder Screws

Shoulder screws, also known as shoulder bolts or sometimes referred to as stripper bolts, distinguish themselves by featuring a head, a threaded portion, and an additional unthreaded "shoulder" in between. This shoulder, with a larger diameter than the thread and high precision tolerance, serves a dual purpose as

both a fastener and a precise guide for moving parts. Available in various materials, including stainless steel and titanium, shoulder screws offer versatility and reliability in applications requiring precise alignment and support for moving components.



MADE IN
BRITAIN

P0130 - Cap Head Shoulder Screws

Available in the following materials: 303 stainless steel, 316 stainless steel, blackened 303 stainless steel, blackened 316 stainless steel, grade 2 titanium or grade 5 titanium



MADE IN
BRITAIN

P0133 - Slot Head Shoulder Screws

Available in 416 stainless steel



MADE IN
BRITAIN

P0128 - Countersunk Shoulder Screws

Available in the following materials: 303 stainless steel, 316 stainless steel, blackened 303 stainless steel, blackened 316 stainless steel



☰ Products



Shoulder Screws, Captive Screws & Sealing Screws >

Shoulder Screws 



P0126 - Headless Shoulder Screws

Slot drive
Stainless AISI 303



P0127 - Cap Head Shoulder Nuts

Hex. drive
Available in stainless AISI 303/316, and
blackened AISI 303/316



P0130.P2 - Cap Head Shoulder Screws

With locking patch
Hex. drive
Stainless AISI 303



P0131 - Cap Head Shoulder Screws

Hex. drive
Stainless AISI 416



P0132 - Cap Head Shoulder Screws

Slot drive
Available in stainless AISI 303, AISI 316
and imperial



P0134 - Ultra Low Head Shoulder Screws

Hex. drive
Available in stainless AISI 303/316 and
blackened AISI 303/316



P0135 - Stainless Shoulder Bolts

Hex. head
Stainless AISI 303
Small sizes



P0136 - Hex. Socket Head Shoulder Screws

Blackened alloy steel
High grade strength 12.9



P0137 - Hex. Socket Head Shoulder Screws

Stainless AISI 303
Large sizes



P0138 - Stainless Shoulder Bolts

Hex. head
Stainless AISI 303
Long thread



P0139 - Steel Shoulder Bolts

Hex. head
Blackened alloy steel - strength 10.9
Std. thread



P0140 - Steel Shoulder Bolts

Hex. head
Blackened alloy steel - strength 8.8
Short thread



☰ Products



Shoulder Screws, Captive Screws & Sealing Screws >

Shoulder Screws 



P0141 - Steel Shoulder Bolts

Hex. head
Blackened alloy steel - strength 10.9
Short thread



P0142 - Steel Shoulder Bolts

Hex. head
Blackened alloy steel - strength 8.8
Construction grade



P0144 - Pan Head Shoulder Screws

Slot drive
Available in zinc-plated steel and
stainless AISI 303



P0145 - Cap Head Shoulder Screws

TX drive
Available in stainless AISI 303/316 and
blackened AISI 303/316

An introduction to Captive Screws



What is a captive screw?

A captive screw is a fastener specially designed to remain in place within an assembly when the panel or cover is removed. Generally, the captive screw has a thinner diameter shank over the length of the screw, and a larger threaded portion at the end. Therefore, when removing a panel, the screws do not come away from the panel itself. For example, you may need to remove a cover

panel (such as a guard panel) from an assembly whilst performing maintenance. The screws are required to remain with the panel so that they don't get misplaced.

Consequently, these fasteners are important when used in safety equipment, where it is crucial to avoid loose components.

Captive Screws

Captive screws, designed for permanent hold or "captive," offer enhanced safety by significantly reducing the likelihood of accidental removal once installed. The reduced diameter section of the screw helps keep the screw captivated in the panel once the panel has been removed, hence the name.

This captivation is crucial for compliance with safety regulations, such as the EU Machine Safety Directive (2006/42/EC) and/or ISO 14583, where certain equipment, like safety covers or panels, require permanent fastenings.



MADE IN
BRITAIN

P0154 - Cap Head Captive Screws

Available in the following materials:
303 stainless & 316 stainless, blackened 303 & 316 stainless, titanium, zinc-plated and blackened.



MADE IN
BRITAIN

P0153 - Countersunk Captive Screws

Available in the following materials:
303 stainless & 316 stainless, blackened 303 & 316 stainless and titanium.



MADE IN
BRITAIN

P0158 - Captive Hex Bolts

Available in the following materials:
303 stainless & 316 stainless, blackened 303 & 316 stainless and titanium.



Products



Shoulder Screws, Captive Screws & Sealing Screws >

Captive Screws



P0149 - Button Head Captive Screws

TX drive
Available in titanium grade 2/5, stainless AISI 303/316 and blackened AISI 303/316



P0150 - Pan Head Captive Screws

TX drive
Available in titanium grade 2/5, stainless AISI 303/316 and blackened AISI 303/316



P0151 - Button Head Captive Screws

Hex. drive
Available in titanium grade 2/5, stainless AISI 303/316 and blackened AISI 303/316



P0152 - Cheese Head Captive Screws

Hex. drive
Available in stainless AISI 303/316 and blackened AISI 303/316



P0154.P2 - Cap Head Captive Screws

With locking patch
Hex. drive
Stainless AISI 303



P0155 - Cheese Head Captive Screws

Slot drive
Available in titanium grade 2/5, stainless AISI 303/316 and blackened AISI 303/316



P0156 - Cap Head Captive Screws

TX drive
Available in titanium grade 2/5, stainless AISI 303/316 and blackened AISI 303/316



P0157 - Pan Head Captive Screws

Phillips drive
Stainless AISI 303



P0159 - Captive Panel Thumb Screws

Slot drive
Available in titanium grade 2/5, stainless AISI 303/316 and blackened AISI 303/316



P0160 - Captive Thumb Screws

Available in titanium grade 2/5, stainless AISI 303/316 and blackened AISI 303/316



P0161 - Captive Thumb Screws

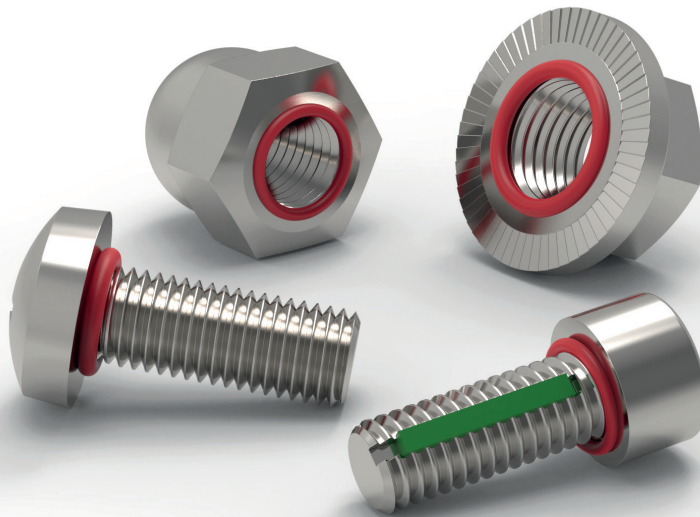
Available in titanium grade 2/5, stainless AISI 303/316 and blackened AISI 303/316



P0163 - Captive Screws with Washers

Hex. drive
Stainless AISI 303

An introduction to Sealing Screws



What is a sealing screw?

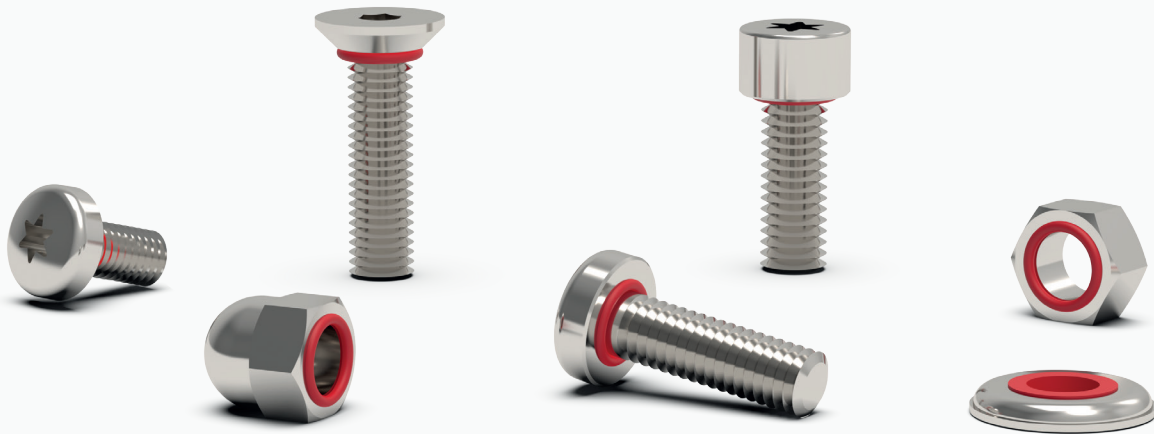
An ordinary screw lacks seal protection, allowing dirt, fluids, gases, etc to infiltrate and damage sensitive devices. Sealing screws provide bi-directional sealing protection to systems where screws are used, to protect them against foreign contaminants, which with a standard fastening may penetrate or leak and cause damage. The seal screws incorporate an O-ring underneath the screw, bolt, etc which forms a

sealant layer. The seal provides bi-directional sealing. The screws are very easy to use and do not need any special preparation or re-tightening. Our self sealing fasteners are designed and manufactured with a precision engineered groove beneath the head of the fastener. As the fastener is tightened, the O-ring is compressed, squeezing the O-ring between the groove and mating surface to complete the seal.

Sealing Screws

Sealing screws offer crucial bi-directional protection against contaminants, preventing potential damage to sensitive devices. Featuring an O-ring beneath the screw or bolt, these screws create a reliable seal as they are tightened, controlled by a precision-engineered groove. This design ensures consistent O-ring

compression, making the screws reusable. Various O-ring materials resist diverse chemical and environmental conditions. Sealing screws, available to military specifications (MILSPEC) on request, are user-friendly, requiring no special preparation or re-tightening.



P0171 - Pan Head Seal Screws

Slot drive
 Available in 303 and 316 stainless steel



P0173 - Cap Head Seal Screws

TX drive
 Available in 303 and 316 stainless steel



P0174 - Button Head Seal Screws

Hex drive
 Available in 303 and 316 stainless steel



Products



Shoulder Screws, Captive Screws & Sealing Screws >

Sealing Screws



P0170 - Pan Head Seal Screws

Phillips drive
Stainless AISI 303
Silicone O-ring



P0172 - Pan Head Seal Screws

TX drive
Stainless AISI 303
Silicone O-ring



P0175.P2 - Cap Head Seal Screws

With locking patch
Hex. drive
Stainless AISI 303
Silicone O-ring



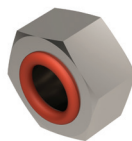
P0175 - Countersunk Seal Screws

Hex. drive
Stainless AISI 303
Silicone O-ring



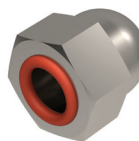
P0176 - Integral Seal Bolts

Hex. head
Stainless AISI 303
Silicone O-ring



P0178 - Integral Seal Hex. Nuts

Stainless AISI 303
Silicone O-ring



P0179 - Integral Domed Nuts

Stainless AISI 303
Silicone O-ring



P0180 - Seal Washers

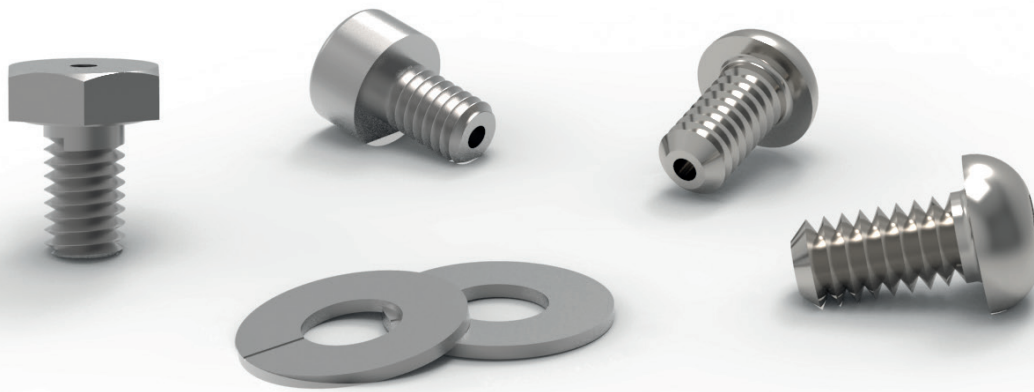
Stainless AISI 316
Ribbed silicone rubber bonded sealing element



P0181 - Waterproof Seal Washers

Stainless AISI 304
Thermoplastic elastomer insert

An introduction to Vented Screws



What is a vented screw?

Vented screws have a hole drilled through the centre to allow for the release of gasses and pressure, typically in vacuum applications. A blind tapped hole inside a vacuum system leaves residual air space at the bottom that cannot be fully evacuated in the vacuum cycle when a bolt, screw or other fastener is threaded into the hole. The screw itself is a helix with a large surface area also containing voids of

trapped air. This produces virtual leaks. Vented screws and fasteners ensure direct ventilation of these voids, allowing the trapped volumes of air within the threads and at the bottoms of the holes to be fully evacuated. This speeds pump-down and helps improve system performance.

Vented Screws

Vented screws are purpose-built for applications where trapped air bubbles pose challenges, such as in vacuum systems and clean rooms. The vent allows trapped air under the screw to be released quickly. Therefore, systems that are subjected to vacuum conditions can reach low pressures more quickly and remain at low pressures

more effectively. All products are ultrasonically cleaned to meet the cleanliness requirements of vacuum environments. Additionally, coatings are offered to reduce seizing or galling in vented screws.



MADE IN
BRITAIN

P0090 - Cap Head Vented Screws

Available in 303 and 316 stainless steel



MADE IN
BRITAIN

P0091 - Hex Head Vented Screws

Available in 303 and 316 stainless steel



MADE IN
BRITAIN

P0094 - Socket Button Head Vented Screws

Available in 303 and 316 stainless steel



☰ Products



Thread Inserts & Specialist Screws >

Vented Screws



P0093 - Vented Machine Screws

Countersunk
Hex. drive
Available in stainless AISI 304 and 316



P0097 - Stainless Vented Washers

Available in stainless AISI 304 and 316
Ultrasonically cleaned
Available with coating



P0098 - Vented Shoulder Screws

Cap head
Hex. drive
Available in stainless AISI 304 and 316



An introduction to Low Head Screws



What is a low head screw?

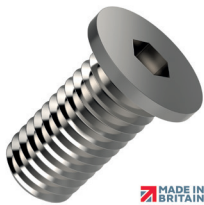
Low head screws are designed for applications where space is limited, and a minimal protrusion is required. Their reduced head height allows for a flush or near-flush finish, making them ideal for compact assemblies, precision instruments, and high-tech electronics. These screws help reduce weight while maintaining strong fastening performance, making them particularly useful in aerospace, automotive, and medical

device manufacturing. Additionally, they improve aerodynamics and aesthetics in applications where exposed fasteners could cause turbulence or interfere with moving parts.

Low Head Screws

Low head screws, crucial in weight-sensitive applications like aerospace, provide minimal weight and reduced drag. Unlike traditional countersunk screws requiring a minimum metal depth for head recess, our innovative low head profile screws allow for the use of thinner panels, saving weight and ensuring a flush fit with the

surface, with thicknesses as minimal as 0.5mm. Available in hex or TX versions, these screws provide a streamlined solution for applications requiring both lightweight design and reduced aerodynamic resistance.



MADE IN
BRITAIN

P0207 - Extra Low Head Cap Screws

Available in the following materials:
303 stainless & 316 stainless, blackened 303 & 316 stainless and titanium



MADE IN
BRITAIN

P0208 - Ultra Low Head Cap Screws

Available in the following materials:
303 stainless & 316 stainless, blackened 303 & 316 stainless and titanium



MADE IN
BRITAIN

P0209 - Ultra Low Head Cap Screws

Available in the following materials:
303 stainless & 316 stainless and blackened 303 & 316 stainless



☰ Products



Standard Fasteners >

Low Head Screws



P0205 - Low Head Cap Screws

Hex. drive
Available in zinc-plated steel and stainless AISI 303 or 316



P0206 - Low Head Cap Screws

TX drive
Available in stainless AISI 303 and 316

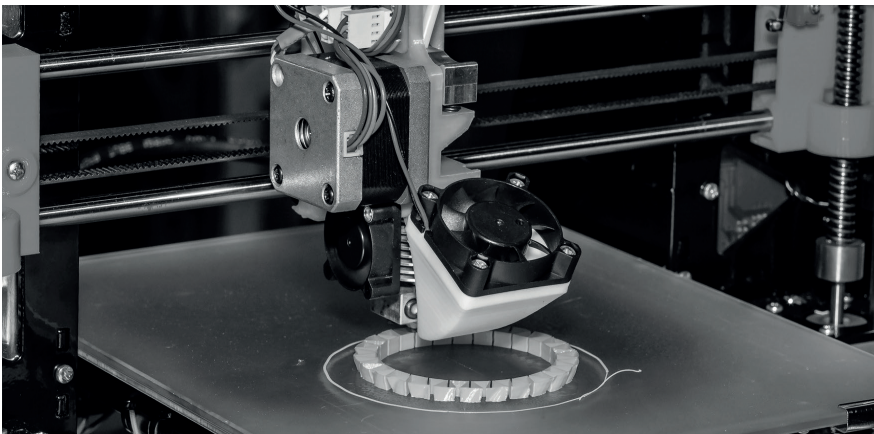


Wixroyd[®]
GROUP
AN ESSENTRA COMPANY

Request our latest catalogue:

Special Purpose Machinery

Struggling with choice overload, supplier hassle, or downtime? **We make sourcing simple** with over 100,000 products, 3 trusted brands, 1 order, and 1 reliable supplier. Serving industries including Mechanical & Industrial Engineering, Electrical & Electronic Manufacturing, Machinery, Medical & Pharmaceutical, and many more, we streamline procurement and supply chain management. Our precision engineering components ensure you meet demand efficiently while maintaining top-tier quality, compliance, and reliability.



Ranges include :

- ✓ **Linear Components**
- ✓ **Precision Fastenings**
- ✓ **Knobs, Handles & Handwheels**
- ✓ **Access Hardware**



Special Purpose Machinery

We make sourcing simple



**USE QUOTE
REFERENCE**

WG-1193

**WHEN REQUESTING
THIS CATALOGUE**

0333 207 4497
wixroyd.com/wx/group-brands



Wixroyd Group Ltd

Alexia House, Glenmore Business Park
Portfield Works, Chichester, PO19 7BJ (UK)

To opt out of all Wixroyd Group marketing material,
please email marketing@wixroydgroup.com