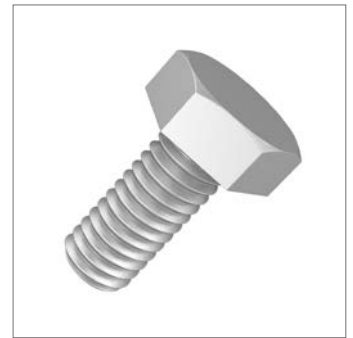
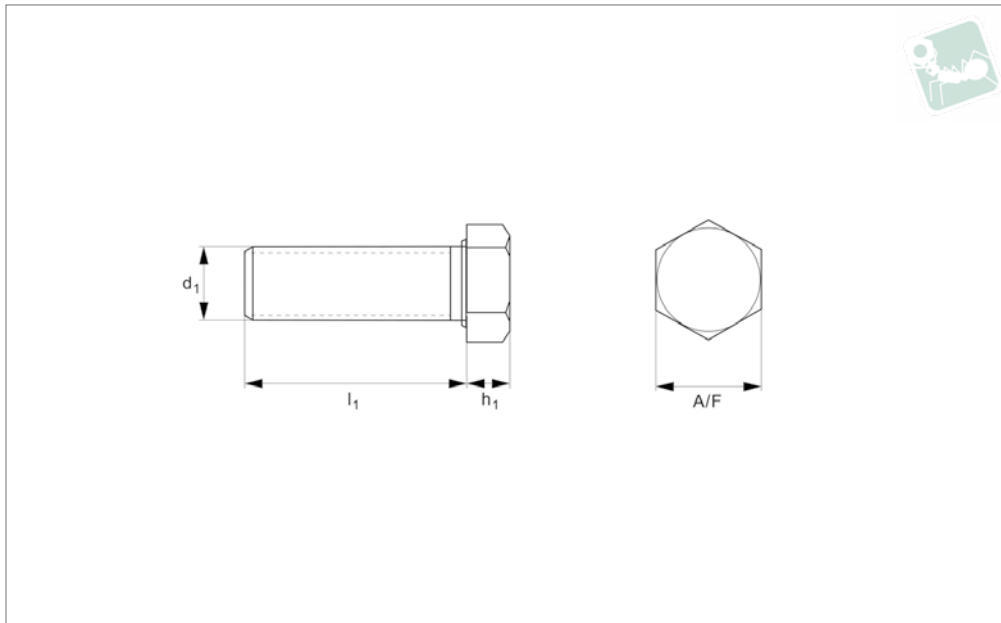




Hexagon Head Screw

with thread up to head, DIN 933, 6060

Aluminium



A0013.A6

ALUMINIUM

Material

Aluminium 6060 standard grade.

Technical Notes

To DIN 933, ISO 4017.

Order No.	Thread	l_1	h_1	A/F	Material	Finish
A0013.050-020-A6	M 5	20	3.5	8	Aluminium	unfinished
A0013.050-025-A6	M 5	25	3.5	8	Aluminium	unfinished
A0013.050-030-A6	M 5	30	3.5	8	Aluminium	unfinished
A0013.050-040-A6	M 5	40	3.5	8	Aluminium	unfinished
A0013.050-050-A6	M 5	50	3.5	8	Aluminium	unfinished
A0013.060-010-A6	M 6	10	4.0	10	Aluminium	unfinished
A0013.060-012-A6	M 6	12	4.0	10	Aluminium	unfinished
A0013.060-016-A6	M 6	16	4.0	10	Aluminium	unfinished
A0013.060-020-A6	M 6	20	4.0	10	Aluminium	unfinished
A0013.060-025-A6	M 6	25	4.0	10	Aluminium	unfinished
A0013.060-030-A6	M 6	30	4.0	10	Aluminium	unfinished
A0013.060-040-A6	M 6	40	4.0	10	Aluminium	unfinished
A0013.060-050-A6	M 6	50	4.0	10	Aluminium	unfinished
A0013.080-025-A6	M 8	25	5.3	13	Aluminium	unfinished
A0013.080-030-A6	M 8	30	5.3	13	Aluminium	unfinished
A0013.080-035-A6	M 8	35	5.3	13	Aluminium	unfinished
A0013.080-040-A6	M 8	40	5.3	13	Aluminium	unfinished
A0013.080-050-A6	M 8	50	5.3	13	Aluminium	unfinished
A0013.080-060-A6	M 8	60	5.3	13	Aluminium	unfinished
A0013.080-070-A6	M 8	70	5.3	13	Aluminium	unfinished
A0013.080-080-A6	M 8	80	5.3	13	Aluminium	unfinished
A0013.100-030-A6	M10	30	6.4	17	Aluminium	unfinished
A0013.100-040-A6	M10	40	6.4	17	Aluminium	unfinished
A0013.100-050-A6	M10	50	6.4	17	Aluminium	unfinished
A0013.120-040-A6	M12	40	7.5	18	Aluminium	unfinished
A0013.120-050-A6	M12	50	7.5	18	Aluminium	unfinished