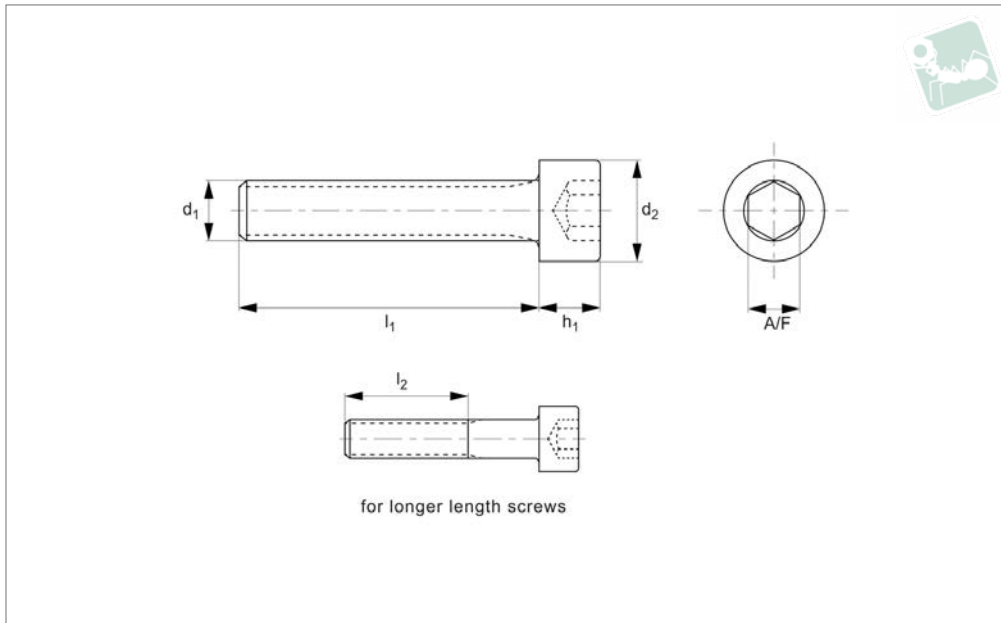




Hexagon Socket Head Cap Screws

Hexagon socket head, DIN 912, 7075

Aluminium



A0020.A7

ALUMINIUM

Material

Aluminium high tensile.

threaded.

See technical page for tightening torques.

Technical Notes

Similar to DIN 912, ISO 4762. All fully

Order No.	Thread	l_1	d_2	h_1	A/F	Material	Finish
A0020.040-010	M 4	10	7	4	3	Aluminium	clear anodised
A0020.040-012	M 4	12	7	4	3	Aluminium	clear anodised
A0020.040-016	M 4	16	7	4	3	Aluminium	clear anodised
A0020.040-020	M 4	20	7	4	3	Aluminium	clear anodised
A0020.040-025	M 4	25	7	4	3	Aluminium	clear anodised
A0020.040-030	M 4	30	7	4	3	Aluminium	clear anodised
A0020.040-035	M 4	35	7	4	3	Aluminium	clear anodised
A0020.050-010	M 5	10	8.5	5	4	Aluminium	clear anodised
A0020.050-012	M 5	12	8.5	5	4	Aluminium	clear anodised
A0020.050-016	M 5	16	8.5	5	4	Aluminium	clear anodised
A0020.050-020	M 5	20	8.5	5	4	Aluminium	clear anodised
A0020.050-025	M 5	25	8.5	5	4	Aluminium	clear anodised
A0020.050-030	M 5	30	8.5	5	4	Aluminium	clear anodised
A0020.050-040	M 5	40	8.5	5	4	Aluminium	clear anodised
A0020.060-010	M 6	10	10	6	5	Aluminium	clear anodised
A0020.060-012	M 6	12	10	6	5	Aluminium	clear anodised
A0020.060-016	M 6	16	10	6	5	Aluminium	clear anodised
A0020.060-020	M 6	20	10	6	5	Aluminium	clear anodised
A0020.060-025	M 6	25	10	6	5	Aluminium	clear anodised
A0020.060-030	M 6	30	10	6	5	Aluminium	clear anodised
A0020.060-035	M 6	35	10	6	5	Aluminium	clear anodised
A0020.060-040	M 6	40	10	6	5	Aluminium	clear anodised
A0020.060-050	M 6	50	10	6	5	Aluminium	clear anodised
A0020.060-060	M 6	60	10	6	5	Aluminium	clear anodised
A0020.060-070	M 6	70	10	6	5	Aluminium	clear anodised
A0020.080-015	M 8	15	13	8	6	Aluminium	clear anodised
A0020.080-020	M 8	20	13	8	6	Aluminium	clear anodised
A0020.080-025	M 8	25	13	8	6	Aluminium	clear anodised
A0020.080-030	M 8	30	13	8	6	Aluminium	clear anodised
A0020.080-040	M 8	40	13	8	6	Aluminium	clear anodised
A0020.080-050	M 8	50	13	8	6	Aluminium	clear anodised
A0020.100-030	M10	30	16	10	8	Aluminium	clear anodised
A0020.100-040	M10	40	16	10	8	Aluminium	clear anodised
A0020.100-050	M10	50	16	10	8	Aluminium	clear anodised

Hexagon Socket Head Cap Screws

Hexagon socket head, DIN 912, 7075



Order No.	Thread	l_1	d_2	h_1	A/F	Material	Finish
A0020.100-060	M10	60	16	10	8	Aluminium	clear anodised