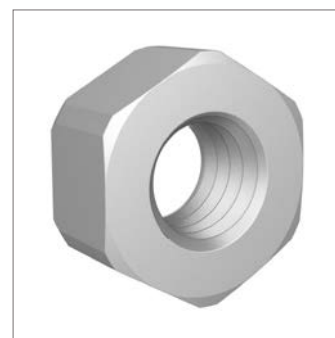
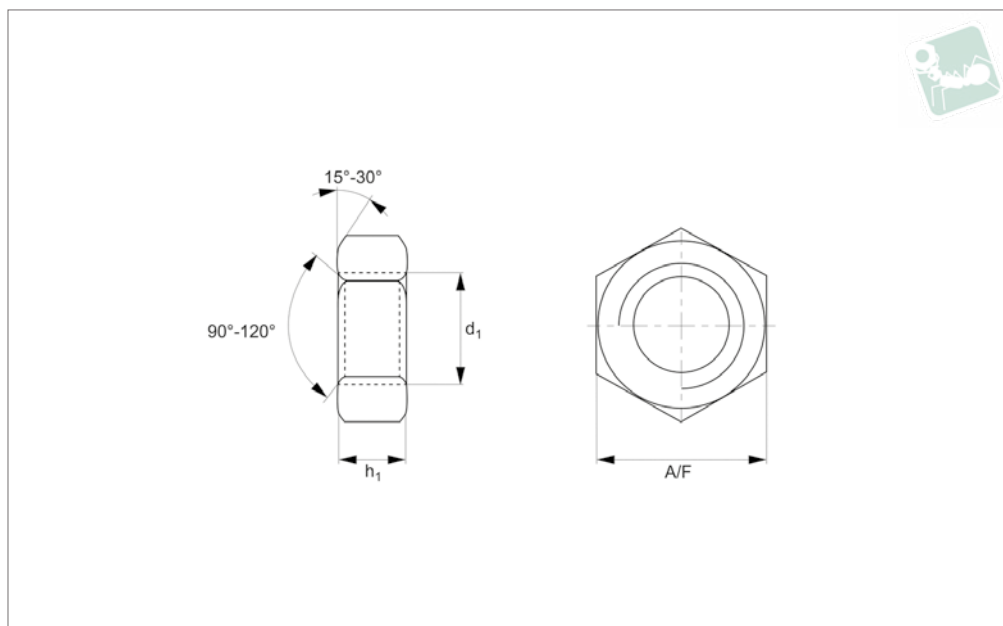




# Aluminium Hex Nuts

DIN 934, standard and high tensile grades

## Aluminium



### A0501

ALUMINIUM

#### Material

Aluminium 6061 (standard grade), 7075 (high tensile grade).

#### Technical Notes

DIN 934

Order No.	$h_1$	A/F	Grade	$d_1$	Finish
A0501.030-A6	2.4	5.5	Standard	M 3	unfinished
A0501.040-A6	3.2	7.0	Standard	M 4	unfinished
A0501.050-A6	4.0	8.0	Standard	M 5	unfinished
A0501.060-A6	5.0	10	Standard	M 6	unfinished
A0501.080-A6	6.5	13	Standard	M 8	unfinished
A0501.100-A6	8.0	17	Standard	M10	unfinished
A0501.120-A6	10	19	Standard	M12	unfinished
A0501.060-A7	5.0	10	High Tensile	M 6	anodised
A0501.080-A7	6.5	13	High Tensile	M 8	anodised
A0501.100-A7	8.0	17	High Tensile	M10	anodised
A0501.120-A7	10	19	High Tensile	M12	anodised
A0501.160-A7	13	24	High Tensile	M16	anodised