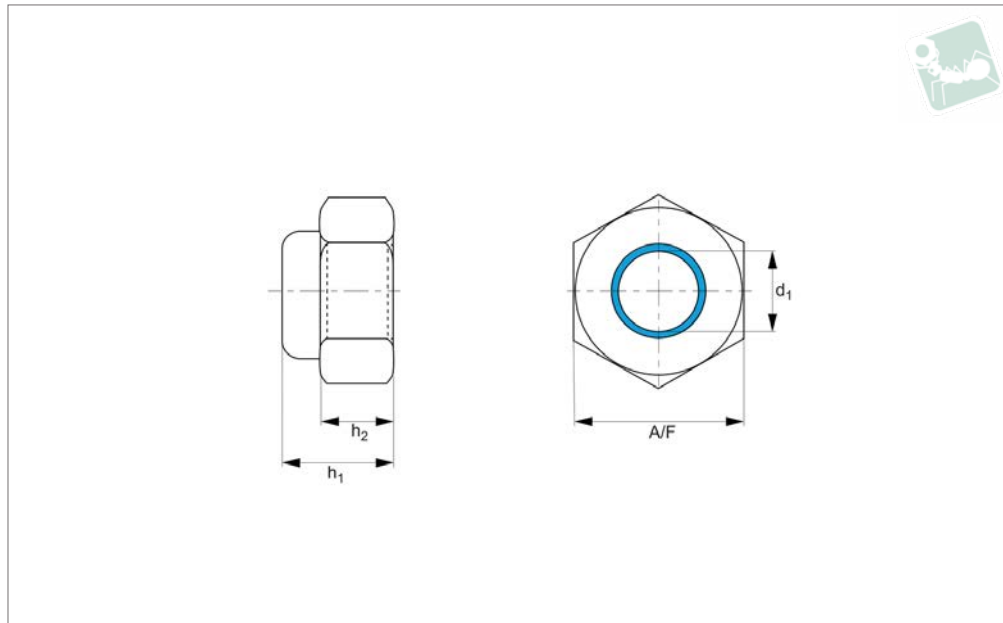




# Prevailing Torque Hexagon Thin Nuts with nonmetallic insert, DIN 985

Aluminium



**A0504.A7**

ALUMINIUM

## Material

Aluminium, high tensile.

## Technical Notes

Prevailing torque

Order No.	$h_1$	$h_2$	A/F	Thread $d_1$
A0504.050	5.0	3.2	8.0	M 5
A0504.030	4.0	2.4	5.5	M 3
A0504.040	5.0	2.9	7.0	M 4
A0504.060	6.0	4.0	10	M 6
A0504.080	8.0	5.5	13	M 8
A0504.100	10	6.5	17	M10
A0504.120	12	8.0	19	M12
A0504.160	16	10.5	24	M16