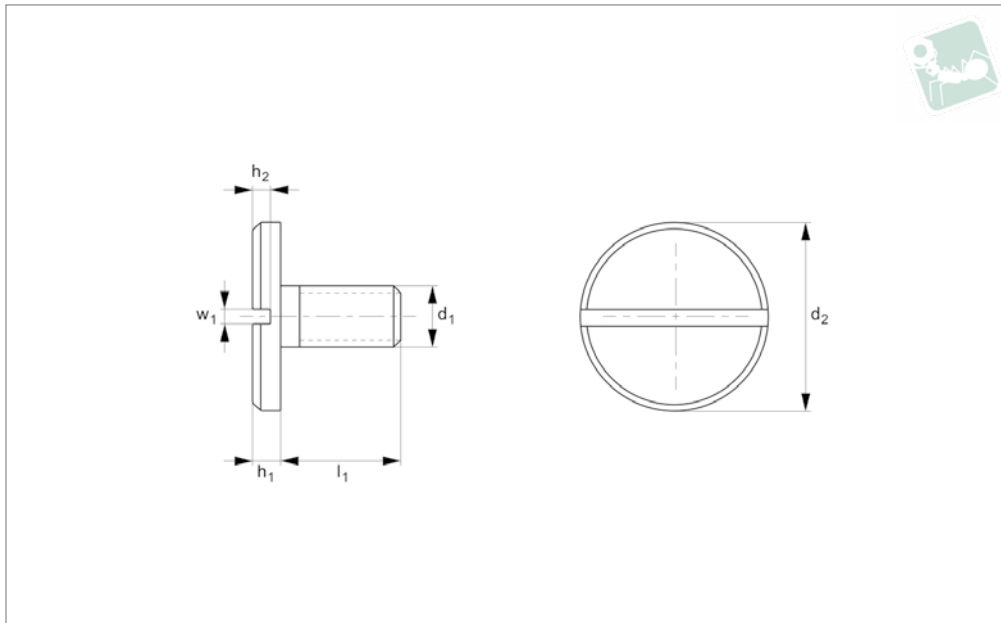




Large Head Slot Pan Head Screws

Brass



B0001.B0

BRASS

Material

Steel (zinc-plated), stainless steel (A2), or brass.

Technical Notes

To DIN 921.

Order No.	d ₁	l ₁	d ₂	h ₁	h ₂	w ₁	Material
B0001.030-004	M 3	4	8	1.8	0.9	0.8	Brass
B0001.030005B000	M 3	5	8	1.8	0.9	0.8	Brass
B0001.030-006	M 3	6	8	1.8	0.9	0.8	Brass
B0001.030008B000	M 3	8	8	1.8	0.9	0.8	Brass
B0001.030010B000	M 3	10	8	1.8	0.9	0.8	Brass
B0001.040005B000	M 4	5	12	2.4	1.2	1.0	Brass
B0001.040006B000	M 4	6	12	2.4	1.2	1.0	Brass
B0001.040008B000	M 4	8	12	2.4	1.2	1.0	Brass
B0001.040010B000	M 4	10	12	2.4	1.2	1.0	Brass
B0001.040012B000	M 4	12	12	2.4	1.2	1.0	Brass
B0001.040016B000	M 4	16	12	2.4	1.2	1.0	Brass
B0001.050008B000	M 5	8	16	2.7	1.3	1.2	Brass
B0001.050010B000	M 5	10	16	2.7	1.3	1.2	Brass
B0001.050012B000	M 5	12	16	2.7	1.3	1.2	Brass
B0001.050016B000	M 5	16	16	2.7	1.3	1.2	Brass
B0001.050020B000	M 5	20	16	2.7	1.3	1.2	Brass
B0001.060010B000	M 6	10	20	3.1	1.5	1.6	Brass
B0001.060012B000	M 6	12	20	3.1	1.5	1.6	Brass
B0001.060016B000	M 6	16	20	3.1	1.5	1.6	Brass
B0001.060020B000	M 6	20	20	3.1	1.5	1.6	Brass
B0001.060025B000	M 6	25	20	3.1	1.5	1.6	Brass