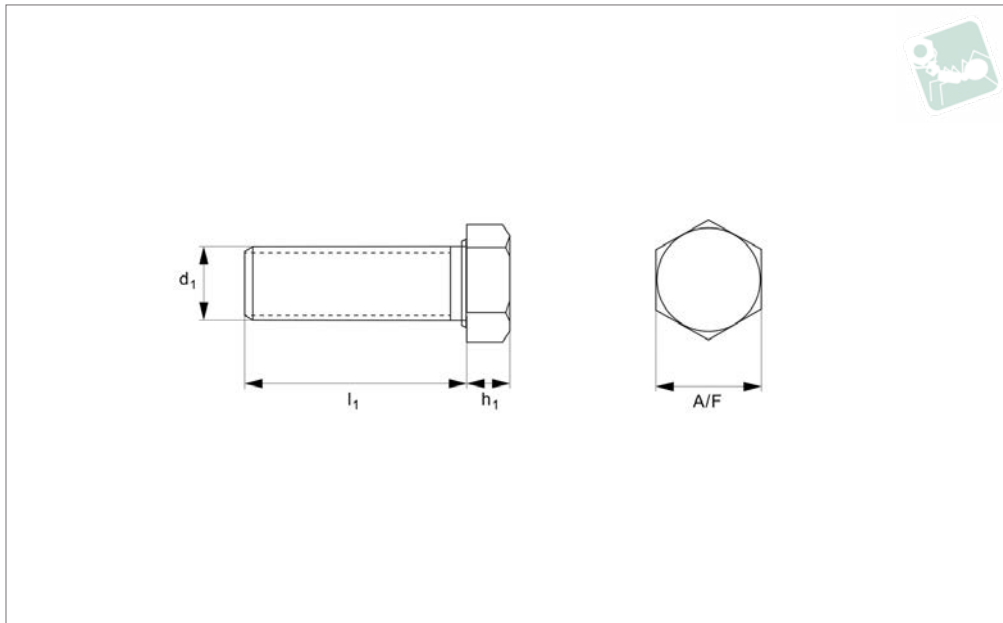




Hexagon Head Set Screws

Brass

Brass



B0004.B0

BRASS

Material

Brass.

Technical Notes

To DIN 933, ISO 4017.

Order No.	d ₁	l ₁	h ₁	A/F	Material
B0004.040030B000	M 4	30	2.8	7	Brass
B0004.060-016	M 6	16	4.0	10	Brass
B0004.060020B000	M 6	20	4.0	10	Brass
B0004.060-030	M 6	30	4.0	10	Brass
B0004.060035B000	M 6	35	4.0	10	Brass
B0004.060-040	M 6	40	4.0	10	Brass
B0004.060050B000	M 6	50	4.0	10	Brass
B0004.080-012	M 8	12	5.3	13	Brass
B0004.080016B000	M 8	16	5.3	13	Brass
B0004.080030B000	M 8	30	5.3	13	Brass
B0004.100025B000	M10	25	6.4	17	Brass
B0004.100040B000	M10	40	6.4	17	Brass
B0004.100050B000	M10	50	6.4	17	Brass
B0004.120025B000	M12	25	7.5	19	Brass
B0004.120050B000	M12	50	7.5	19	Brass
B0004.120100B000	M12	100	7.5	19	Brass
B0004.140100B000	M14	100	8.8	22	Brass
B0004.160040B000	M16	40	10	24	Brass
B0004.200050B000	M20	50	12.5	30	Brass