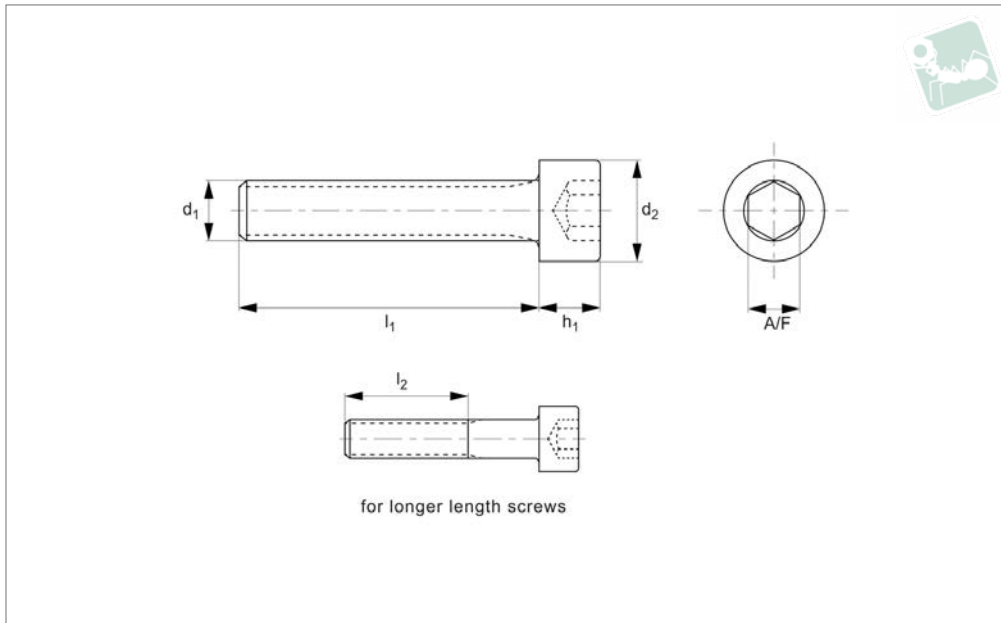




Hexagon Socket Head Cap Screws

Hexagon socket head cap screw, DIN 912

Brass



B0020.B0

BRASS

Material

Brass, Cu3 (CuZn39pb3).

lengths the threads goes all the way to the head of the screw (i.e. $l_1 = l_2$) less 2.5 thread pitches.

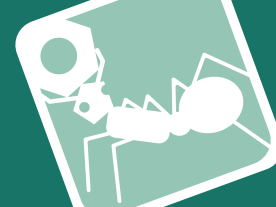
portion $l_2 < l_1$.

Technical Notes

To DIN 912. For the majority of screw

For longer length screws the threaded

Order No.	d_1	l_1	d_2	h_1	l_2	A/F
B0020.030-005	M 3	5	5.5	3	-	2.5
B0020.030-006	M 3	6	5.5	3	-	2.5
B0020.030-008	M 3	8	5.5	3	-	2.5
B0020.030-010	M 3	10	5.5	3	-	2.5
B0020.030-012	M 3	12	5.5	3	-	2.5
B0020.030-020	M 3	20	5.5	3	18	2.5
B0020.030-025	M 3	25	5.5	3	18	2.5
B0020.040-006	M 4	6	7	4	-	3
B0020.040-008	M 4	8	7	4	-	3
B0020.040-010	M 4	10	7	4	-	3
B0020.040-012	M 4	12	7	4	-	3
B0020.040-016	M 4	16	7	4	-	3
B0020.040-020	M 4	20	7	4	20	3
B0020.040-025	M 4	25	7	4	20	3
B0020.040-035	M 4	35	7	4	20	3
B0020.050-008	M 5	8	8.5	5	-	4
B0020.050-010	M 5	10	8.5	5	-	4
B0020.050-012	M 5	12	8.5	5	-	4
B0020.050-016	M 5	16	8.5	5	-	4
B0020.050-020	M 5	20	8.5	5	-	4
B0020.050-025	M 5	25	8.5	5	22	4
B0020.050-035	M 5	35	8.5	5	22	4
B0020.060-008	M 6	8	10	6	-	5
B0020.060-012	M 6	12	10	6	-	5
B0020.060-016	M 6	16	10	6	-	5
B0020.060-020	M 6	20	10	6	-	5
B0020.060-025	M 6	25	10	6	24	5
B0020.060-035	M 6	35	10	6	24	5
B0020.060-040	M 6	40	10	6	24	5
B0020.080-012	M 8	12	13	8	-	6
B0020.080-016	M 8	16	13	8	-	6
B0020.080-020	M 8	20	13	8	-	6
B0020.080-025	M 8	25	13	8	-	6
B0020.080-035	M 8	35	13	8	28	6



Order No.	d ₁	l ₁	d ₂	h ₁	l ₂	A/F
B0020.080-040	M 8	40	13	8	28	6
B0020.080-050	M 8	50	13	8	28	6
B0020.100-016	M10	16	16	10	-	8
B0020.100-020	M10	20	16	10	-	8
B0020.100-025	M10	25	16	10	-	8
B0020.100-035	M10	35	16	10	32	8
B0020.100-040	M10	40	16	10	32	8
B0020.100-050	M10	50	16	10	32	8
B0020.120-030	M12	30	18	12	-	10
B0020.120-040	M12	40	18	12	36	10
B0020.120-050	M12	50	18	12	36	10
B0020.120-060	M12	60	18	12	36	10
B0020.120-080	M12	80	18	12	36	10