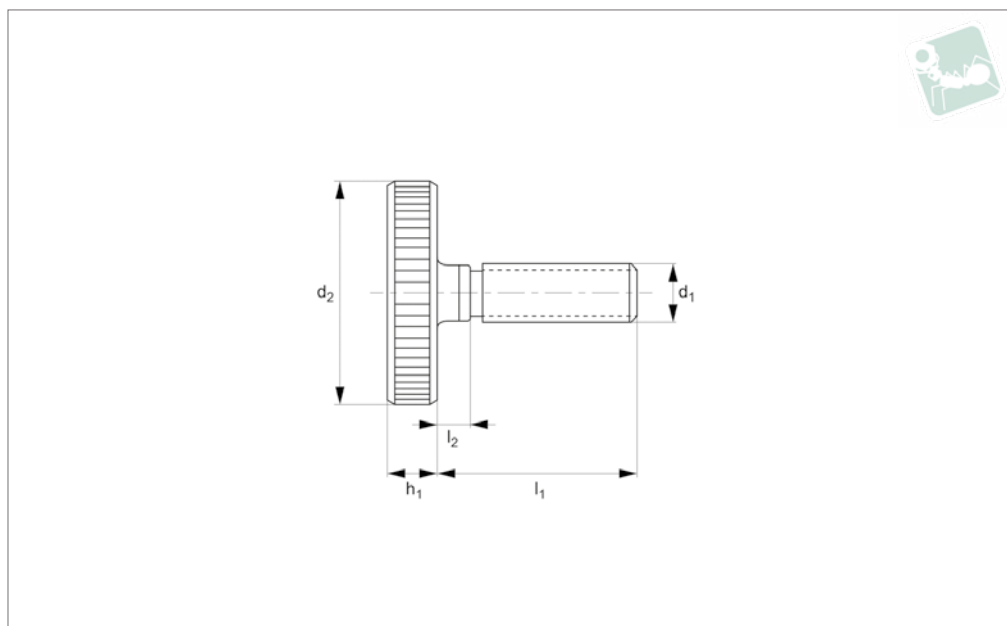




# Flat Knurled Thumb Screws

DIN 653

Brass



**B0106.B0**

BRASS

## Material

Brass, Cu3 (CuZn39Pb3).

## Technical Notes

To DIN 653.

Order No.	Thread	$l_1$	$d_2$	$h_1$	$l_2$	Material	Weight g
B0106.030-006	M 3	6.0	12	2.5	2.0	Brass	2.3
B0106.030-008	M 3	8.0	12	2.5	2.0	Brass	2.4
B0106.030-010	M 3	10	12	2.5	2.0	Brass	2.5
B0106.030-012	M 3	12	12	2.5	2.0	Brass	2.6
B0106.030-016	M 3	16	12	2.5	2.0	Brass	2.7
B0106.030-020	M 3	20	12	2.5	2.0	Brass	2.7
B0106.030-025	M 3	25	12	2.5	2.0	Brass	2.7
B0106.040-008	M 4	8.0	16	3.5	3.0	Brass	6.1
B0106.040-010	M 4	10	16	3.5	3.0	Brass	6.2
B0106.040-012	M 4	12	16	3.5	3.0	Brass	6.4
B0106.040-016	M 4	16	16	3.5	3.0	Brass	6.7
B0106.040-020	M 4	20	16	3.5	3.0	Brass	6.7
B0106.040-025	M 4	25	16	3.5	3.0	Brass	6.7
B0106.050-008	M 5	8	20	4.0	3.0	Brass	11.0
B0106.050-010	M 5	10	20	4.0	3.0	Brass	11.0
B0106.050-012	M 5	12	20	4.0	3.0	Brass	11.3
B0106.050-016	M 5	16	20	4.0	3.0	Brass	11.7
B0106.050-020	M 5	20	20	4.0	3.0	Brass	12.0
B0106.050-025	M 5	25	20	4.0	3.0	Brass	12.0
B0106.050-030	M 5	30	20	4.0	3.0	Brass	12.0
B0106.060-010	M 6	10	24.0	5.0	4.0	Brass	20.0
B0106.060-012	M 6	12	24.0	5.0	4.0	Brass	20.0
B0106.060-016	M 6	16	24.0	5.0	4.0	Brass	20.4
B0106.060-020	M 6	20	24.0	5.0	4.0	Brass	21.0
B0106.060-025	M 6	25	24.0	5.0	4.0	Brass	25.0
B0106.060-030	M 6	30	24.0	5.0	4.0	Brass	22.0
B0106.060-040	M 6	40	24.0	5.0	4.0	Brass	22.0
B0106.080-016	M 8	16	30.0	6.0	5.0	Brass	40.0
B0106.080-020	M 8	20	30.0	6.0	5.0	Brass	40.0
B0106.080-025	M 8	25	30.0	6.0	5.0	Brass	42.0
B0106.080-030	M 8	30	30.0	6.0	5.0	Brass	43.0
B0106.080-040	M 8	40	30.0	6.0	5.0	Brass	45.0