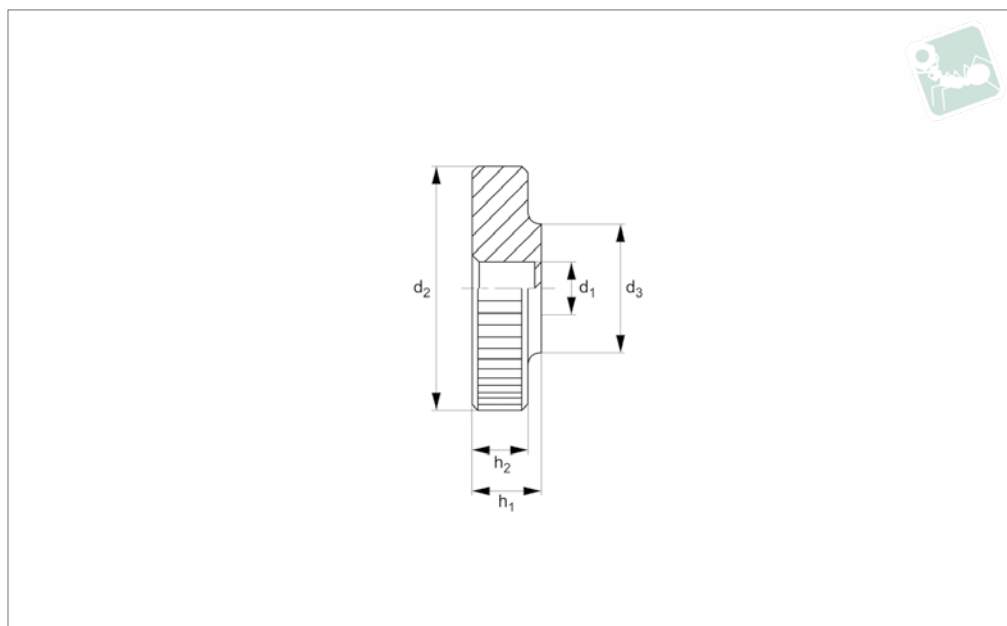




# Brass Flat Knurled Nuts

DIN 467

Brass



**B0109.B0**

BRASS

## Material

Brass, Cu3 (CuZn39Pb3).

## Technical Notes

To DIN 467, size M12 not contained in DIN standard.

Order No.	Thread	$d_2$	$d_3$	$h_1$	$h_2$	Material	Finish	Weight g
<b>B0109.030</b>	M 3	12.0	6.0	3.0	2.5	Brass	Self colour/Unfinished	2.0
<b>B0109.040</b>	M 4	16.0	8.0	4.0	3.5	Brass	Self colour/Unfinished	5.0
<b>B0109.050</b>	M 5	20.0	10.0	5.0	4.0	Brass	Self colour/Unfinished	10.0
<b>B0109.060</b>	M 6	24.0	12.0	6.0	5.0	Brass	Self colour/Unfinished	17.0
<b>B0109.080</b>	M 8	30.0	16.0	8.0	6.0	Brass	Self colour/Unfinished	33.0
<b>B0109.100</b>	M10	36.0	20.0	10.0	8.0	Brass	Self colour/Unfinished	63.0