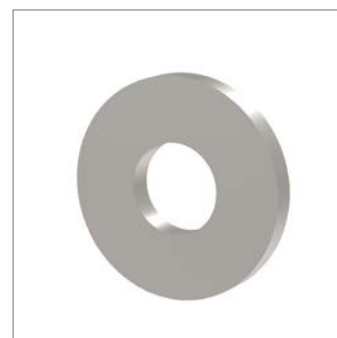
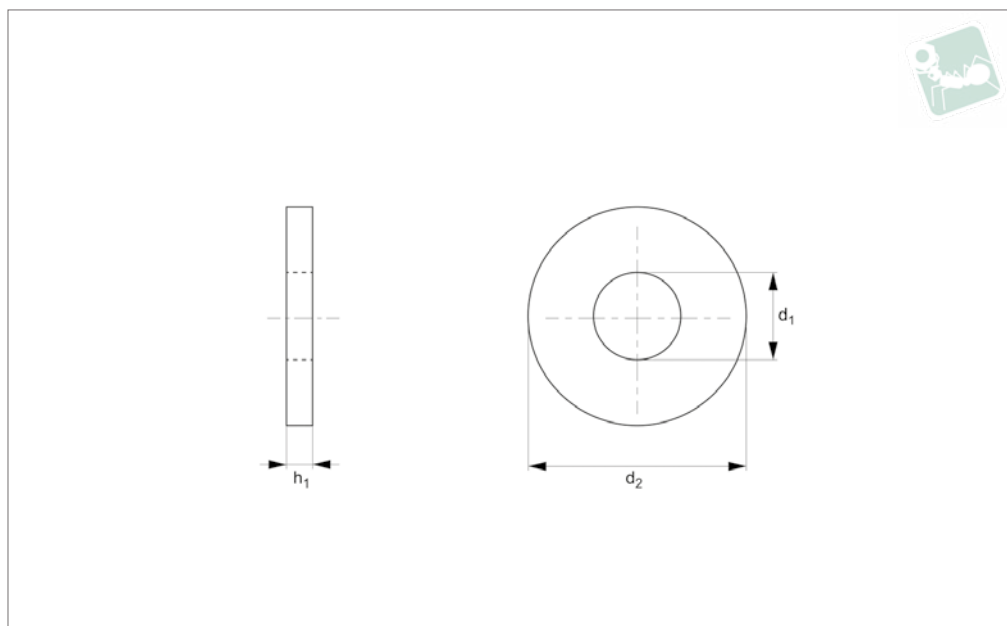




# Flat Washers Form B

Brass

Brass



**B0403.B0**

BRASS

**Material**  
Brass.

**Technical Notes**  
To DIN 125 B, BS4320B.

Order No.	For thread	$d_1$	$h_1$	$d_2$	Material
B0403.080B000	M 8	8.4	1.6	16	Brass
B0403.100B000	M10	10.5	2.0	20	Brass
B0403.160B000	M16	17.0	3.0	30	Brass
B0403.200B000	M20	21.0	3.0	37	Brass
B0403.300B000	M30	31.0	4.0	56	Brass