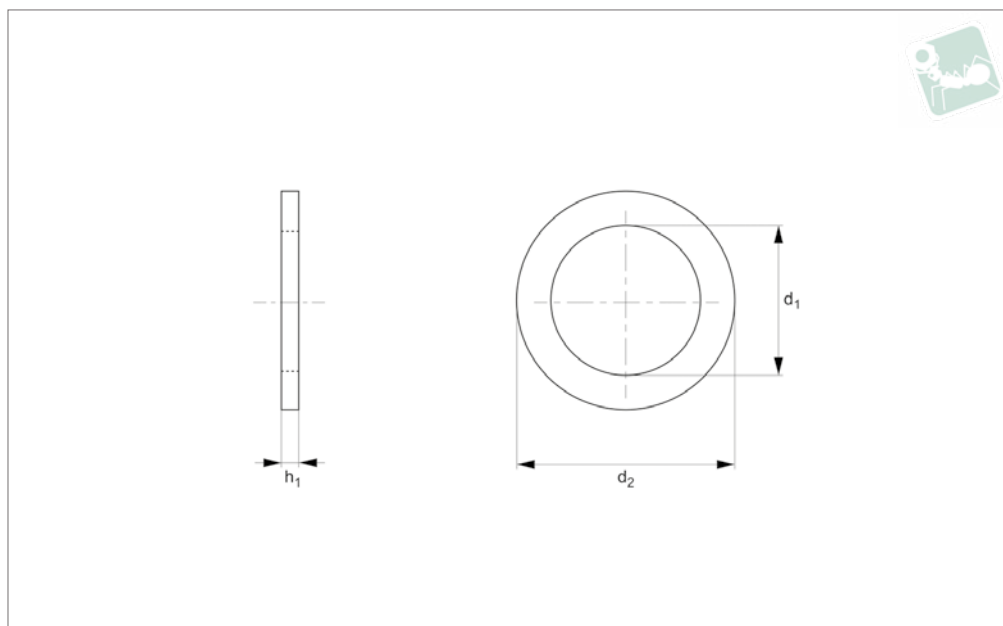




Sealing Rings copper

Brass



B0412.B6

BRASS

Material
Copper.

Technical Notes
To DIN 7603 A. Used as sealing ring for pipe connections and blanking plugs.

| Order No. | d ₁ | d ₂ | h ₁ | Suitable for DIN 908 thread | Suitable for pipe thread |
|------------------|----------------|----------------|----------------|-----------------------------|--------------------------|
| B0412.0510010B60 | 5 | 10 | 1.0 | - | - |
| B0412.0610010B60 | 6 | 10 | 1.0 | - | - |
| B0412.0710010B60 | 7 | 10 | 1.0 | - | - |
| B0412.0812010B60 | 8 | 12 | 1.0 | M 8 x 1,0 | - |
| B0412.0914010B60 | 9 | 14 | 1.0 | - | - |
| B0412.1014010B60 | 10 | 14 | 1.0 | M10 x 1,0 | G1/8" |
| B0412.1016010B60 | 10 | 16 | 1.0 | M10 x 1,0 | - |
| B0412.1420010B60 | 14 | 20 | 1.0 | - | - |
| B0412.1520010B60 | 15 | 20 | 1.0 | - | - |
| B0412.0610015B60 | 6 | 10 | 1.5 | - | - |
| B0412.0814015B60 | 8 | 14 | 1.5 | M 8 x 1,0 | - |
| B0412.0914015B60 | 9 | 14 | 1.5 | M10 x 1,0 | - |
| B0412.1014015B60 | 10 | 14 | 1.5 | M10 x 1,0 | G1/8" |
| B0412.1016015B60 | 10 | 16 | 1.5 | M10 x 1,0 | - |
| B0412.1420015B60 | 14 | 20 | 1.5 | - | - |
| B0412.1222015B60 | 14 | 22 | 1.5 | - | - |
| B0412.1520015B60 | 15 | 20 | 1.5 | - | - |
| B0412.1620015B60 | 16 | 20 | 1.5 | M16 x 1,5 | - |
| B0412.1622015B60 | 16 | 22 | 1.5 | - | - |
| B0412.1721015B60 | 17 | 21 | 1.5 | - | G3/8" |
| B0412.2126015B60 | 21 | 26 | 1.5 | - | G1/2" |
| B0412.2128015B60 | 21 | 28 | 1.5 | - | - |
| B0412.2227015B60 | 22 | 27 | 1.5 | M22 x 1,5 | - |
| B0412.2229015B60 | 22 | 29 | 1.5 | - | - |
| B0412.1019020B60 | 10 | 19 | 2.0 | - | - |
| B0412.1318020B60 | 13 | 18 | 2.0 | - | - |
| B0412.1418020B60 | 14 | 18 | 2.0 | M14 x 1,5 | G1/4" |
| B0412.2024020B60 | 20 | 24 | 2.0 | M20 x 1,5 | - |
| B0412.2128020B60 | 21 | 28 | 2.0 | - | - |
| B0412.2226020B60 | 22 | 26 | 2.0 | M22 x 1,5 | - |
| B0412.2229020B60 | 22 | 29 | 2.0 | - | - |
| B0412.2430020B60 | 24 | 30 | 2.0 | M24 x 1,5 | - |
| B0412.2432020B60 | 24 | 32 | 2.0 | - | - |
| B0412.2632020B60 | 26 | 32 | 2.0 | M26 x 1,5 | G3/4" |
| B0412.2834020B60 | 28 | 34 | 2.0 | - | - |



| Order No. | d ₁ | d ₂ | h ₁ | Suitable for DIN 908 thread | Suitable for pipe thread |
|------------------|----------------|----------------|----------------|-----------------------------|--------------------------|
| B0412.3036020B60 | 30 | 36 | 2.0 | M30 x 1,5 | G7/8" |
| B0412.3038020B60 | 30 | 38 | 2.0 | - | - |
| B0412.3238020B60 | 32 | 38 | 2.0 | - | - |
| B0412.3240020B60 | 32 | 40 | 2.0 | - | - |
| B0412.3339020B60 | 33 | 39 | 2.0 | - | G1" |
| B0412.3642020B60 | 36 | 42 | 2.0 | M36 x 2,0 | G1-1/8" |
| B0412.3844020B60 | 38 | 44 | 2.0 | M38 x 2,0 | - |
| B0412.4047020B60 | 40 | 47 | 2.0 | - | - |
| B0412.4552020B60 | 45 | 52 | 2.0 | - | - |
| B0412.5057020B60 | 50 | 57 | 2.0 | - | - |