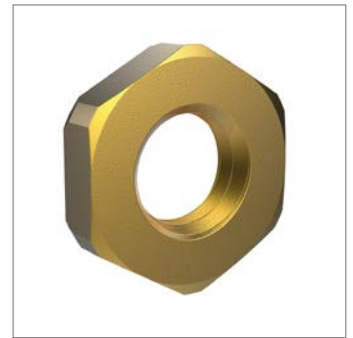
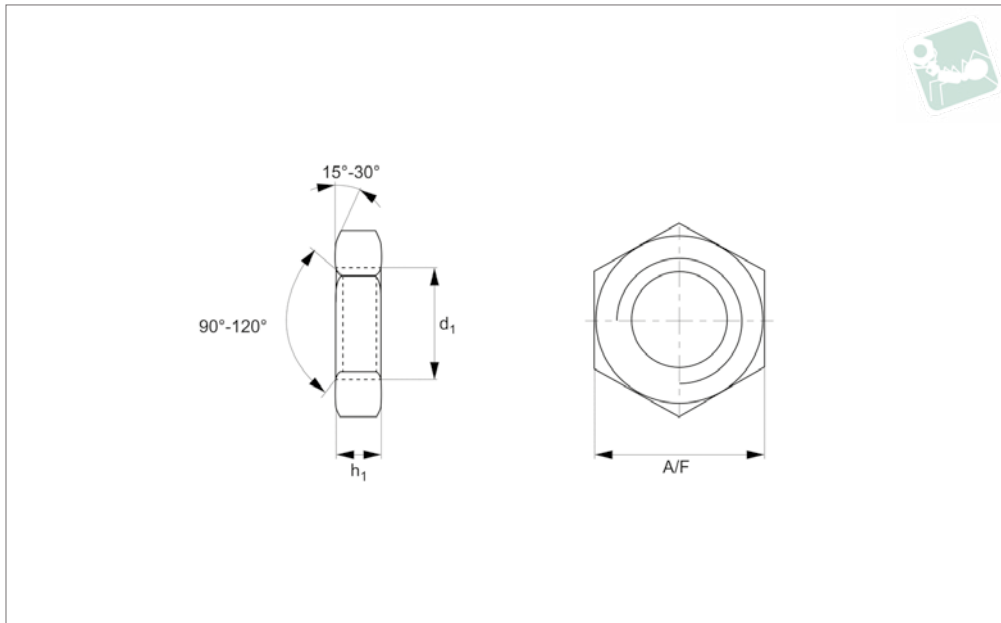




Hexagon thin nuts

unchamfered, DIN 439

Brass



B0510.B0

BRASS

Material

Brass, Cu3 (CuZn39Pb3).

Technical Notes

To DIN 439. Fine pitch threads.

Order No.	Thread d ₁	h ₁	A/F	Material	Finish
B0510.080-100	M 8x1,0	3.7	13	Brass	unfinished
B0510.100-100	M10x1,0	4.7	17	Brass	unfinished
B0510.120-150	M12x1,5	5.7	19	Brass	unfinished
B0510.140-150	M14x1,5	6.42	22	Brass	unfinished
B0510.160-150	M16x1,5	7.42	24	Brass	unfinished
B0510.180-150	M18x1,5	8.42	27	Brass	unfinished
B0510.200-150	M20x1,5	9.1	30	Brass	unfinished
B0510.220-150	M22x1,5	9.9	34	Brass	unfinished
B0510.240-150	M24x1,5	10.9	36	Brass	unfinished
B0510.270-150	M27x1,5	12.4	41	Brass	unfinished
B0510.300-150	M30x1,5	13.9	46	Brass	unfinished