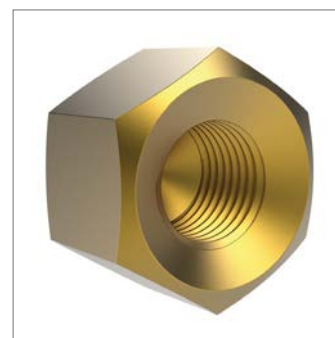
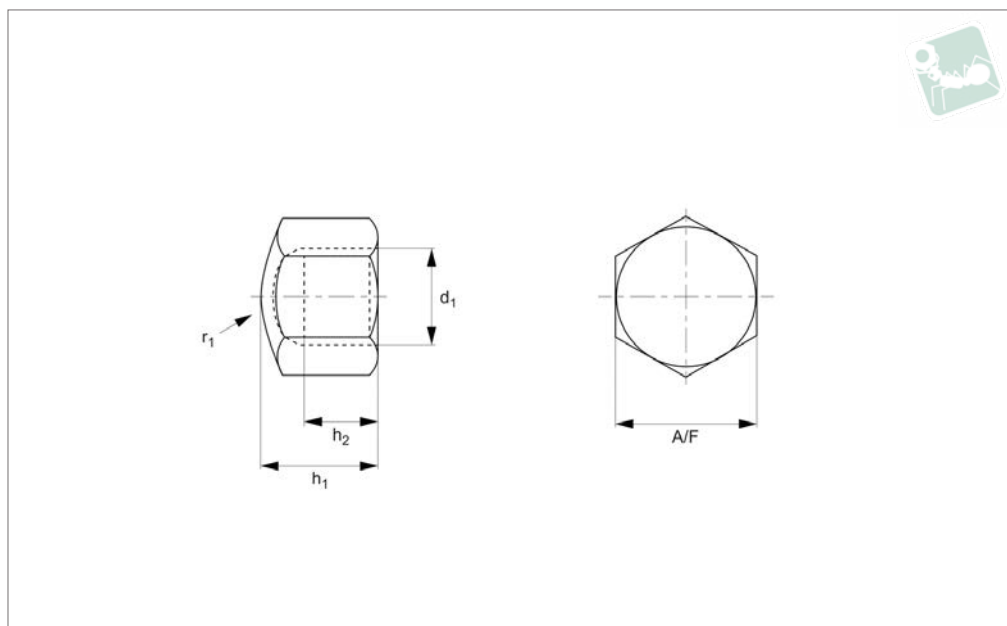




Hexagon Cap Nuts

Low Pattern, DIN 917

Brass



B0513.B0

BRASS

Material

Brass, Cu3 (CuZn39Pb3).

Technical Notes

To DIN 917.

Order No.	Thread d_1	h_1	h_2 min.	A/F	r_1	Material	Finish
B0513.030	M 3	5.0	3.0	5.5	-	Brass	unfinished
B0513.040	M 4	5.5	4.4	7.0	8	Brass	unfinished
B0513.050	M 5	7.0	5.2	8.0	10	Brass	unfinished
B0513.060	M 6	9.0	7.0	10.0	12	Brass	unfinished
B0513.080	M 8	12.0	9.5	13.0	15	Brass	unfinished
B0513.100	M10	14.0	11.0	17.0	20	Brass	unfinished
B0513.120	M12	16.0	13.5	19.0	25	Brass	unfinished
B0513.140	M14	18.0	15.0	22.0	28	Brass	unfinished
B0513.160	M16	20.0	17.0	24.0	30	Brass	unfinished
B0513.200	M20	25.0	21.0	30.0	35	Brass	unfinished