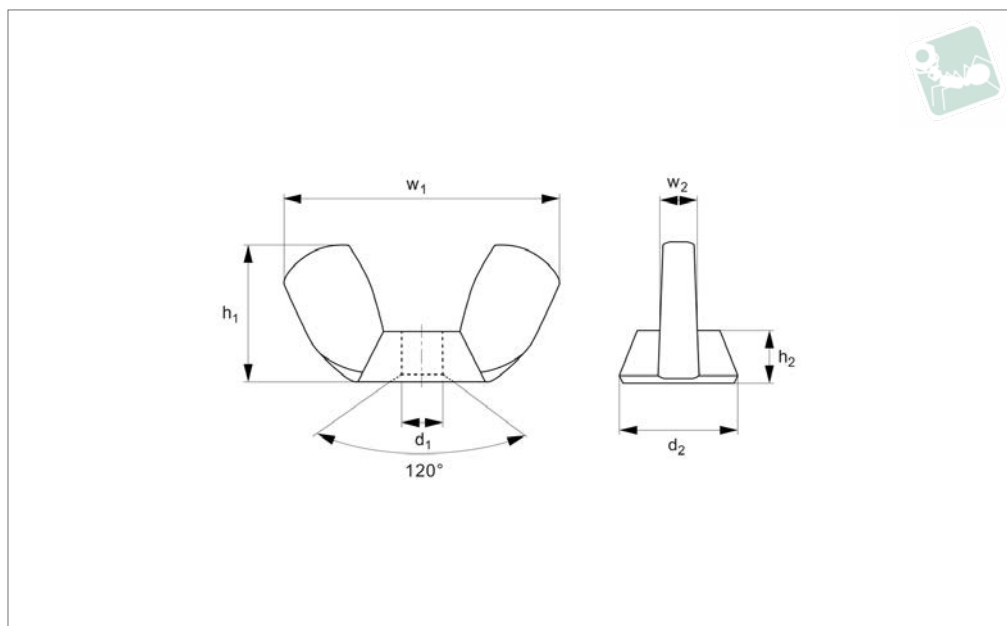




# Wing Nuts female thread

Brass



## B0525.B0

BRASS

### Material

Brass, Cu3 (CuZn39Pb3).

### Technical Notes

DIN 315

Order No.	d <sub>1</sub>	d <sub>2</sub>	h <sub>1</sub>	h <sub>2</sub>	w <sub>1</sub>	w <sub>2</sub>	Material	Finish
B0525.030	M 3	6.8	8.8	15.3	15.3	1.2	Brass	Unfinished
B0525.040	M 4	8.0	8.8	17.6	17.6	1.6	Brass	Unfinished
B0525.050	M 5	10.3	10.5	22.5	22.5	2.1	Brass	Unfinished
B0525.060	M 6	12.7	12.9	27.8	27.8	2.5	Brass	Unfinished
B0525.080	M 8	13.8	14.8	30.3	30.3	2.8	Brass	Unfinished
B0525.100	M10	16.5	17.3	36.2	36.2	3.3	Brass	Unfinished
B0525.120	M12	22.5	22.3	49.4	49.4	4.5	Brass	Unfinished
B0525.160	M16	26.6	30.8	58.3	58.3	5.5	Brass	Unfinished