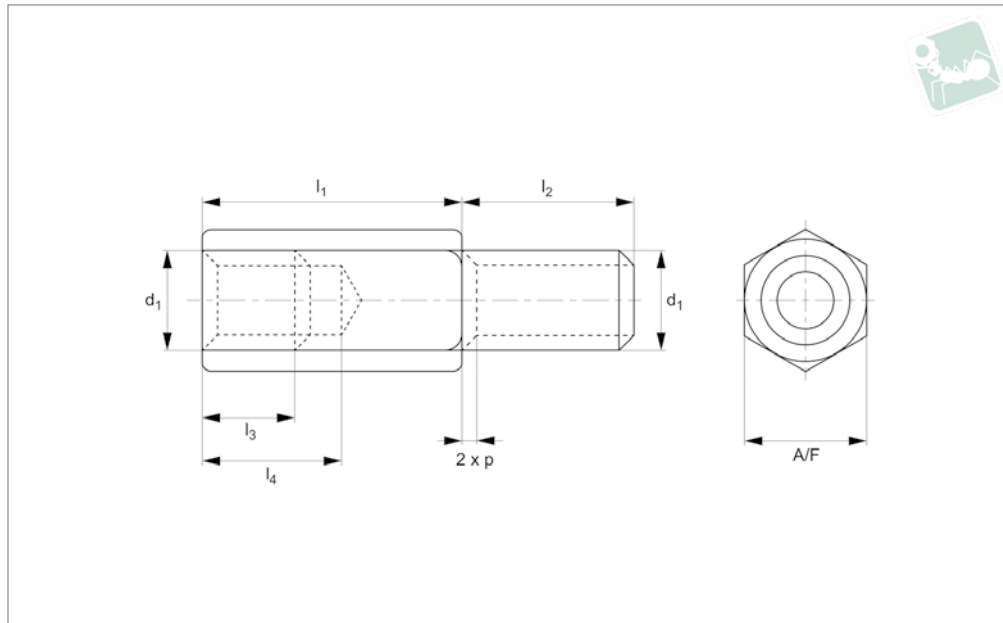




Brass Hexagonal Pillars

Brass

Brass



B6003.B0

BRASS

Material

Brass (CZ 121), bright nickel-plated.

Technical Notes

$l_4 = (l_3 + >1\text{mm})$.

Order No.	d ₁	l ₁ tol. js13	l ₂	l ₃	A/F
B6003.020045B004	M 2	5	6	2.8	4
B6003.020048B004	M 2	8	6	6	4
B6003.020010B004	M 2	10	6	7	4
B6003.020012B004	M 2	12	6	7	4
B6003.020015B004	M 2	15	6	7	4
B6003.020020B004	M 2	20	5	7	4
B6003.020025B004	M 2	25	6	7	4
B6003.020030B004	M 2	30	6	7	4
B6003.025005B004	M2,5	5	6	2.5	4
B6003.025008B004	M2,5	8	6	5.5	4
B6003.025010B004	M2,5	10	6	7	4
B6003.025012B004	M2,5	12	6	7	4
B6003.025015B004	M2,5	15	6	7	4
B6003.025018B004	M2,5	18	6	7	4
B6003.025020B004	M2,5	20	6	7	4
B6003.025025B004	M2,5	25	6	7	4
B6003.025030B004	M2,5	30	6	7	4
B6003.025040B004	M2,5	40	6	7	4
B6003.025050B004	M2,5	50	6	7	4
B6003.030005B004	M 3	5	8	2.5	5.5
B6003.030048B004	M 3	8	8	5	5.5
B6003.030010B004	M 3	10	8	6.5	5.5
B6003.030012B004	M 3	12	8	7	5.5
B6003.030015B004	M 3	15	8	8	5.5
B6003.030018B004	M 3	18	8	7	5.5
B6003.030020B004	M 3	20	8	7	5.5
B6003.030025B004	M 3	25	8	7	5.5
B6003.030030B004	M 3	30	8	7	5.5
B6003.030035B004	M 3	35	8	7	5.5
B6003.030040B004	M 3	40	8	7	5.5
B6003.030045B004	M 3	45	8	7	5.5
B6003.030050B004	M 3	50	8	7	5.5
B6003.030055B004	M 3	55	8	7	5.5
B6003.030060B004	M 3	60	8	7	5.5



Order No.	d ₁	l ₁ tol. js13	l ₂	l ₃	A/F
B6003.040005B004	M 4	5	8	2.3	7
B6003.040048B004	M 4	8	8	4.5	7
B6003.040010B004	M 4	10	8	6	7
B6003.040012B004	M 4	12	8	6	7
B6003.040015B004	M 4	15	8	9	7
B6003.040018B004	M 4	18	8	9	7
B6003.040020B004	M 4	20	8	9	7
B6003.040025B004	M 4	25	8	9	7
B6003.040030B004	M 4	30	8	9	7
B6003.040035B004	M 4	35	10	9	7
B6003.040040B004	M 4	40	8	9	7
B6003.040045B004	M 4	45	8	9	7
B6003.040050B004	M 4	50	8	9	7
B6003.040055B004	M 4	55	8	9	7
B6003.040060B004	M 4	60	8	9	7
B6003.040065B004	M 4	65	8	9	7
B6003.040070B004	M 4	70	10	9	7
B6003.040080B004	M 4	80	8	9	7
B6003.050010B004	M 5	10	10	5.5	8
B6003.050012B004	M 5	12	10	8	8
B6003.050015B004	M 5	15	10	9	8
B6003.050018B004	M 5	18	10	10	8
B6003.050020B004	M 5	20	10	10	8
B6003.050025B004	M 5	25	10	10	8
B6003.050030B004	M 5	30	10	10	8
B6003.050035B004	M 5	35	10	10	8
B6003.050040B004	M 5	40	10	10	8
B6003.050045B004	M 5	45	10	10	8
B6003.050050B004	M 5	50	10	10	8
B6003.050060B004	M 5	60	10	10	8
B6003.060015B004	M 6	15	12	11	10
B6003.060020B004	M 6	20	12	12	10
B6003.060025B004	M 6	25	12	12	10
B6003.060030B004	M 6	30	12	12	10
B6003.060045B004	M 6	45	12	12	10