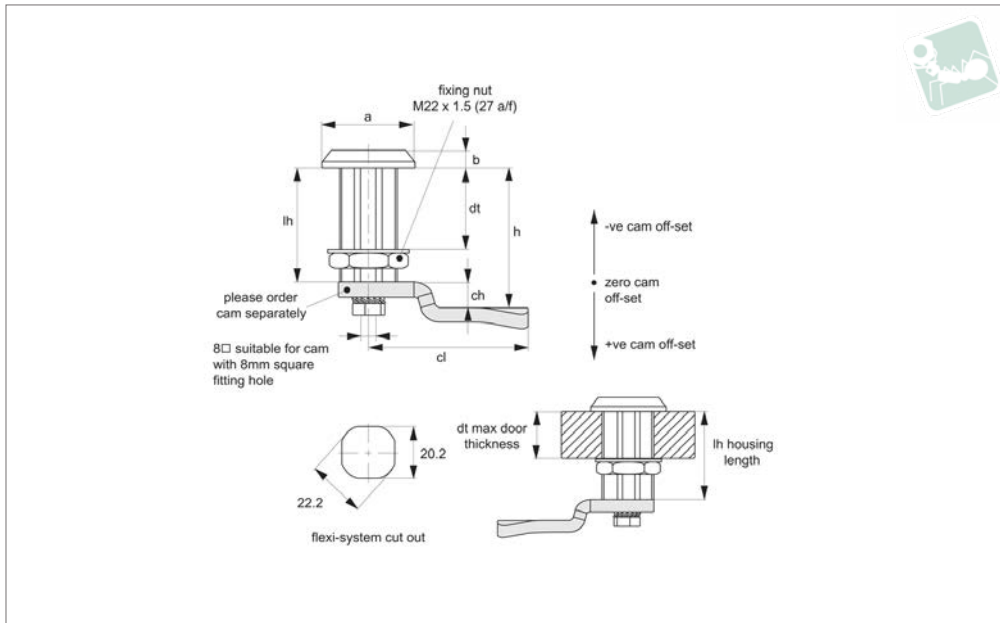




Cam Latches - Flexi-System

insert driver - extended body - zinc

Latches



CC0460

LATCHES

Material

Body & insert: die cast zinc, chrome plated.
Insert fitted with O'ring to achieve IP54 rating.

Supplied With: Nut: steel, zinc plated.
Sealing washer: PU & Rubber.

Not supplied: CAM nor KEY - order separately.

Technical Notes

Order cam and key separately.

Cams: see suitable cam CC0020, and CC0040. Select „without projection“ cam

type.

Dimensions ch and cl relate to cam. Use formula to calculate ch (required cam off-set), and refer to cam selection chart;

ch = h - lh where;

ch = required cam off-set/height.

h = grip length (distance between inside of latch face and front of cam).

lh = body length of cam latch/lock to be used (see product table below).

Keys: see CC0010.

Rods & Guides: to achieve 3-point latching

- CC0340, CC0350, CC0355.

Tips

Ideal for air conditioning units, sound-proof or isolation doors, as well as wooden panels. Insert quarter-turn opening or closing.

Slotted insert driver does not require a key. Simply use a flat head screwdriver to actuate.

Important Notes

Sold subject to pack quantity.

Order No.	Insert driver	lh	dt	a	b
CC0460.M0011	Square 7	28	20	28	4
CC0460.M0021	Square 8	28	20	28	4
CC0460.M0041	Triangle 7	28	20	28	4
CC0460.M0051	Triangle 8	28	20	28	4
CC0460.M0061	3mm Double Bit	28	20	28	4
CC0460.M0071	4mm Double Bit	28	20	28	4
CC0460.M0081	Slotted (2x4)	28	20	28	4
CC0460.M0311	Square 7	36	30	28	4
CC0460.M0321	Square 8	36	30	28	4
CC0460.M0341	Triangle 7	36	30	28	4
CC0460.M0351	Triangle 8	36	30	28	4
CC0460.M0361	3mm Double Bit	36	30	28	4
CC0460.M0371	4mm Double Bit	36	30	28	4
CC0460.M0381	Slotted (2x4)	36	30	28	4
CC0460.M0511	Square 7	62	50	28	4
CC0460.M0521	Square 8	62	50	28	4
CC0460.M0551	Triangle 8	62	50	28	4
CC0460.M0561	3mm Double Bit	62	50	28	4
CC0460.M0571	4mm Double Bit	62	50	28	4
CC0460.M0581	Slotted (2x4)	62	50	28	4