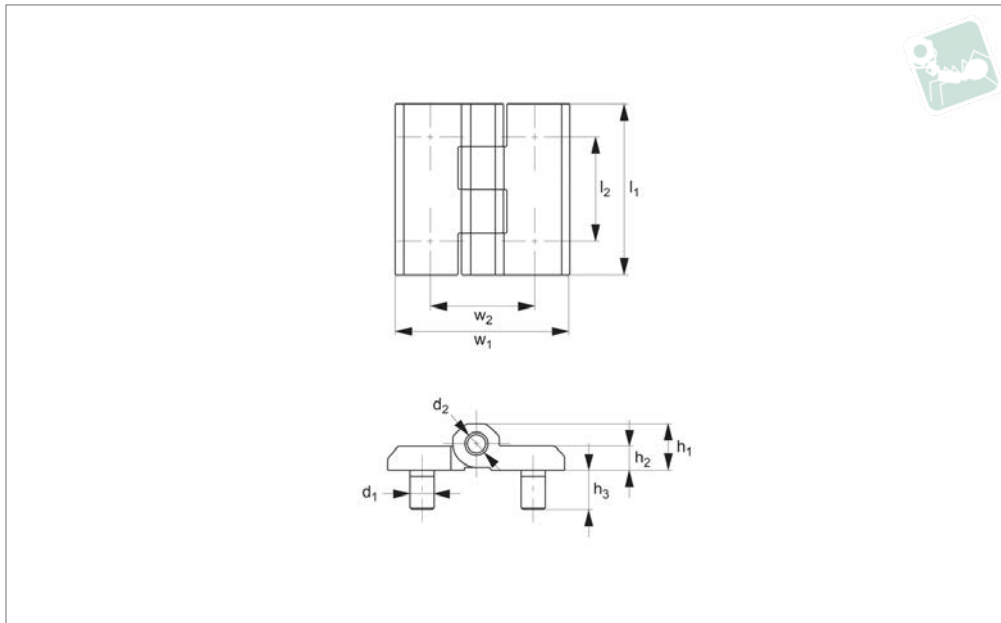




# Surface Mount - Leaf Hinges

integrated stud mount - zinc

## Stays & Hinges



**HH0100**

STAYS & HINGES

**Material**

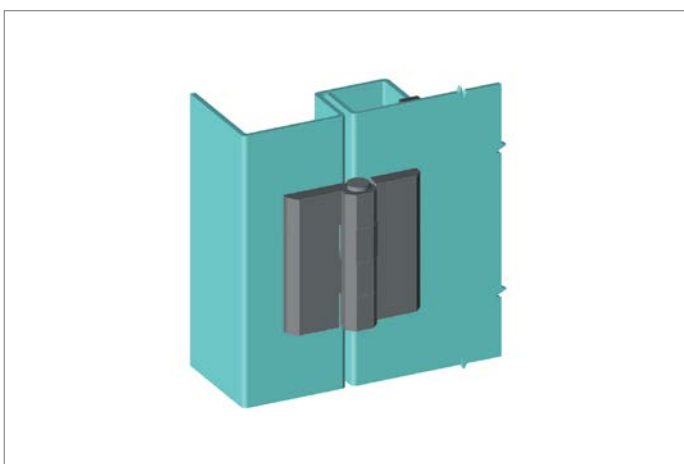
Body: die cast zinc, black powder coated.  
Pin: steel, nickel plated.

**Technical Notes**

For plain/flush mounted doors, as well as electrical panels and covers.

Opening angle 180°.

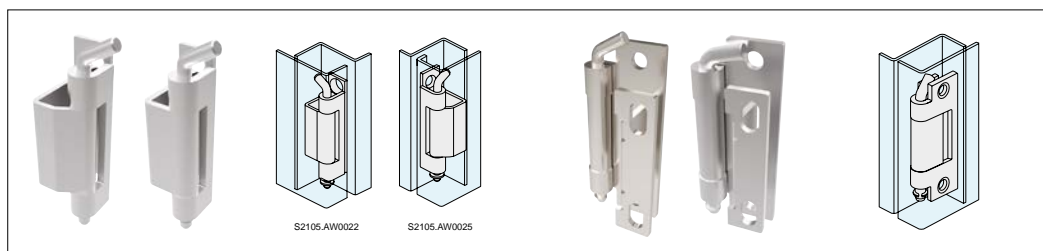
Order No.	Finish	Size	h <sub>1</sub>	h <sub>2</sub>	h <sub>3</sub>	l <sub>1</sub>	l <sub>2</sub>	w <sub>1</sub>	w <sub>2</sub>	d <sub>1</sub>	d <sub>2</sub>	90° Angled stress	Axial load F <sub>x</sub> N max.	Axial stress kN	Radial load F <sub>x</sub> N max.	Radial stress kN
HH0100.M0040	Black Coated	40 x 40	9,0	5	10,0	40	25	40	25	M 5	4	1,85	1.2	0,9	1.0	1,7
HH0100.M0050	Black Coated	50 x 50	11,5	6	12,5	50	30	50	30	M 6	6	2,0	1.3	2,05	1.2	3,55
HH0100.M0057	Black Coated	50 x 70	11,5	6	12,5	50	30	76	56	M 6	6	2,00	1.2	1,5	11.2	3,00
HH0100.M0060	Black Coated	60 x 60	15,0	8	16,5	60	36	60	36	M 6	8	2,55	1.8	3,05	1.5	4,05
HH0100.M0612	Black Coated	60 x 120	15,0	8	16,5	60	36	120	88	M 8	8	1,5	1.2	1,5	1.12	4,5



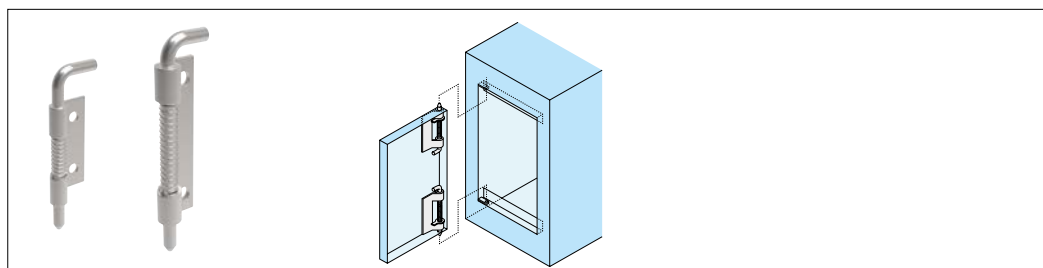


## Concealed hinges

For added security or a sleek enclosure design, concealed hinges offer the solution with mounting discreetly hidden away from view to avoid tampering.



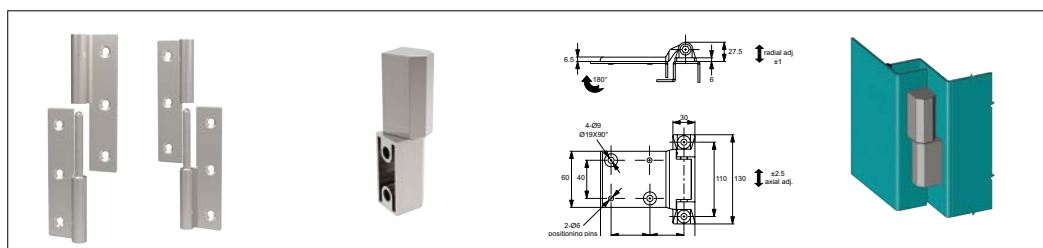
**Concealed pivot hinges**



**End mount concealed pivot hinges**

## Door removal hinges

Door removal or lift-off hinges simplify removal of covers and panels to ease access for maintenance and repair, available in a selection of materials.



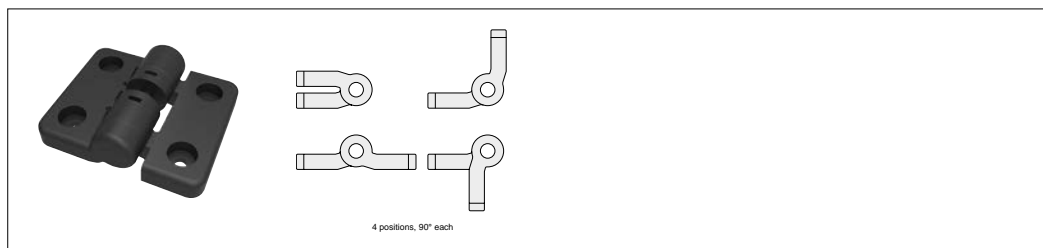
**Lift off hinges**

## Torque and positioning hinges

Torque and positioning hinges offer positive location of panels, screens and displays using constant friction for a firm hold.



**Constant torque hinges**



**Detent positioning hinges**



## Left or right type: Which do you need?

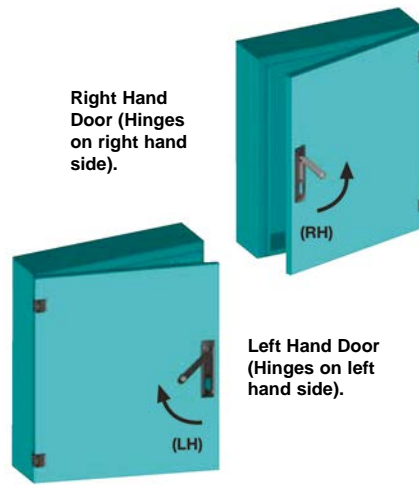
Wixroyd have a diverse range of hinges to suit most industrial applications in a wide range of materials and finishes.

Throughout our catalogue we refer to parts as being of a "Left" or "Right" type or hand. Which type you need, is most easily explained as follows;

Oriente your application so that when opened the door/panel comes towards you. With this orientation in mind, look to see on which side of the door/panel the hinges are mounted?

If the hinges are on the left side of the door/panel then you require "Left" type products. If the hinges are on the right side of the door/panel then you require "Right" type products.

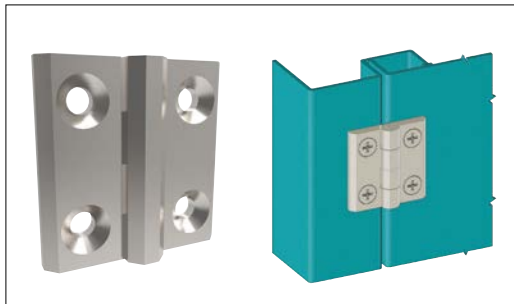
The illustration on the right clearly indicates the layout and orientation of the door where a "left" or "right" product is used.



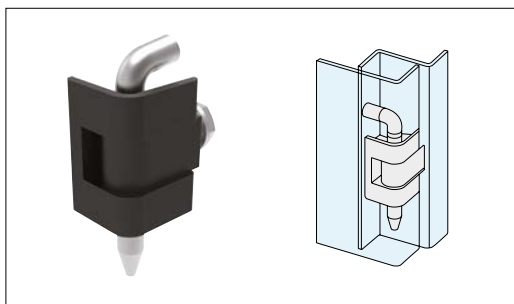
## Hinges

External or surface mount hinges have a wide range of application on electrical panels, sheet metal enclosures, generators and heating and venting applications.

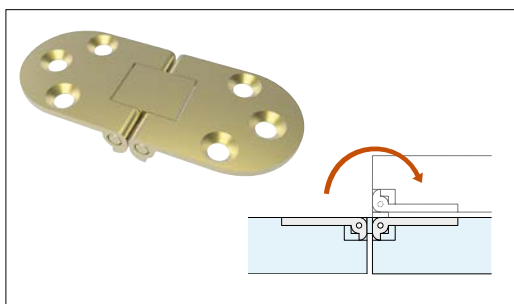
## External hinges



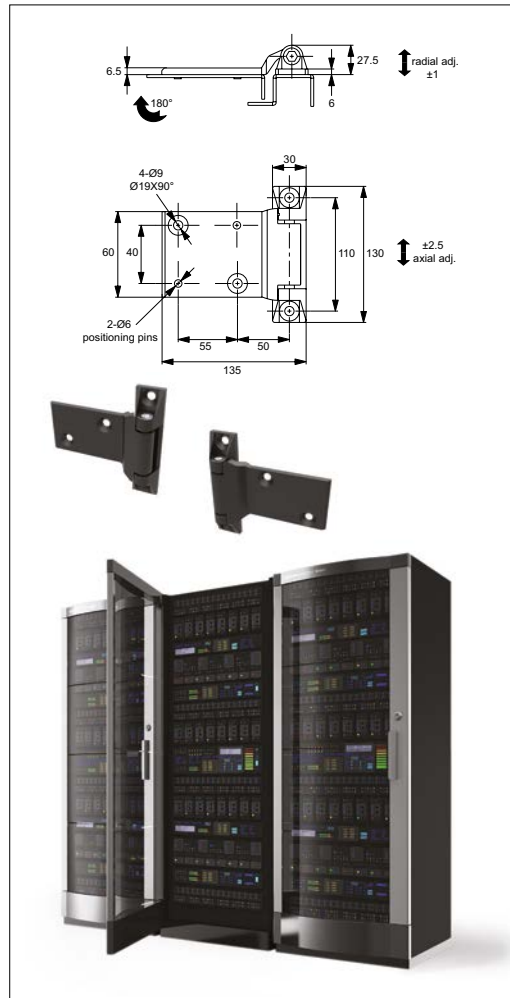
Surface mount hinges



Corner hinges



Flush mount hinges



Surface mount hinges