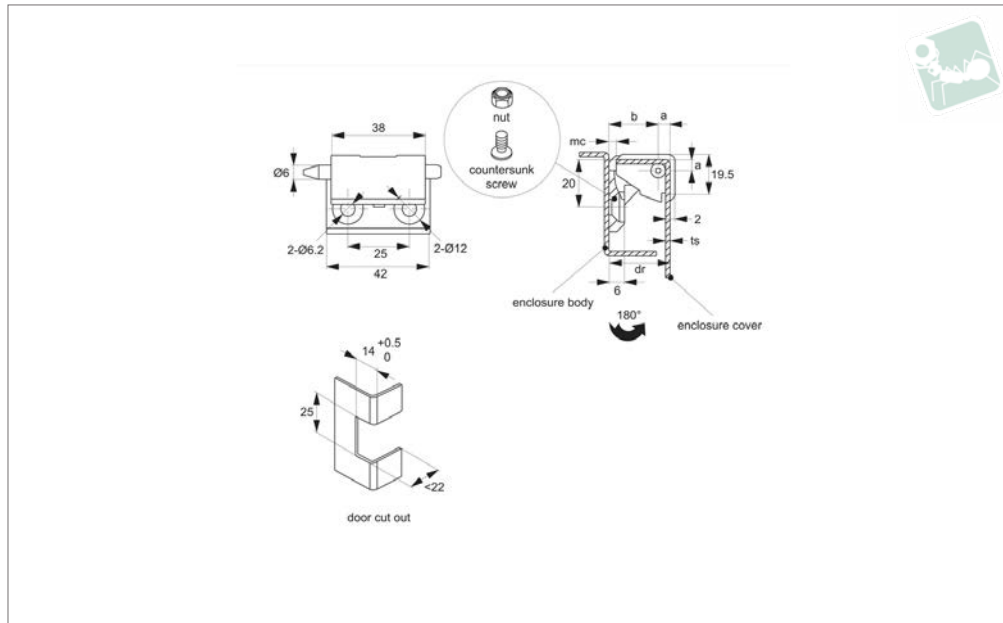




Corner Hinge - 24 to 26mm Door cut out and counter sunk screw - zinc

Stays & Hinges



HH0410

STAYS & HINGES

Material

Hinge: die cast zinc, black powder coated.
Pin: steel, nickel-plated.

Technical Notes

For sheet metal and machine enclosures
with a 24 to 26mm door return up to 3mm

thick. For installation dimension see cut
out detail.

Mounting via M6 screws.

Universal left or right hand opening doors.

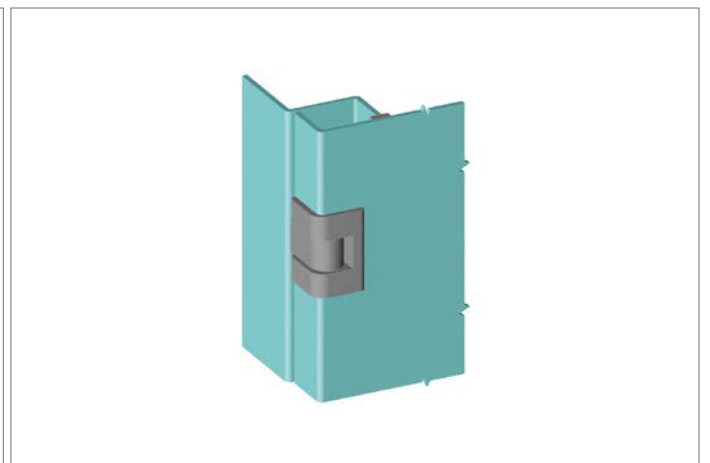
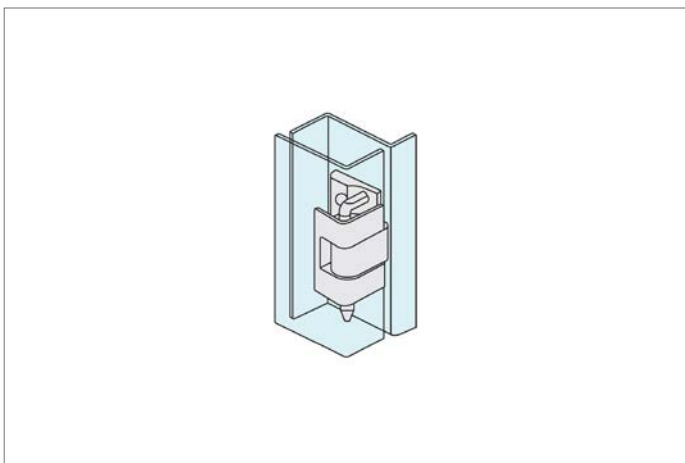
Max. opening angle 180°.

Important Notes

dr= Maximum door return suitable for use
with hinge.

mc= Minimum clearance advised between
enclosure cover and body to ensure
smooth, full opening of enclosure cover.

Order No.	Finish	Door return	a	b	F_x N	F_y N	mc min.	ts panel thickness
HH0410.M0001	Black coated	24.1	4.6	20	1050	980	3	1.5
HH0410.M0002	Black coated	25.1	5.1	20	1050	980	3	2.0
HH0410.M0003	Black coated	26.1	6.1	20	1050	980	3	3.0

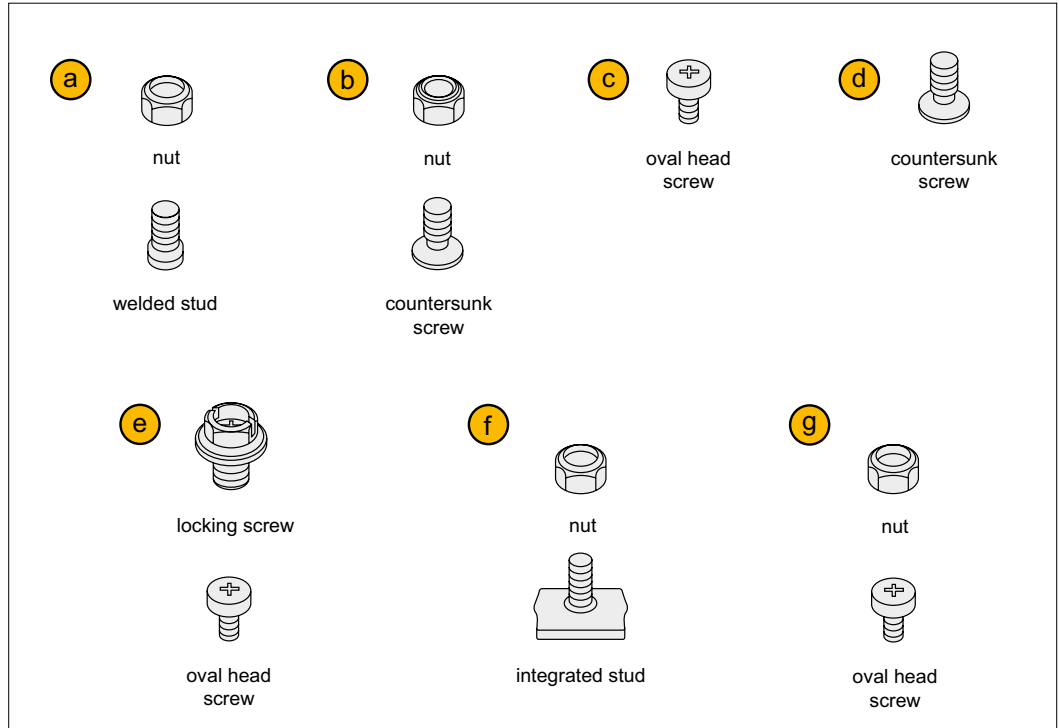




A variety of mounting methods are available!

Mounting combinations

Wixroyd concealed hinges can be mounted in a variety of ways using additional nuts and bolts.



Important Note: Refer to individual product pages for suitable mounting options. If you have any problems please contact our Technical Sales Team.

Mounting example

In the example, mounting option ②, a nut with a countersunk screw, is used to mount the hinge onto the enclosure body.

