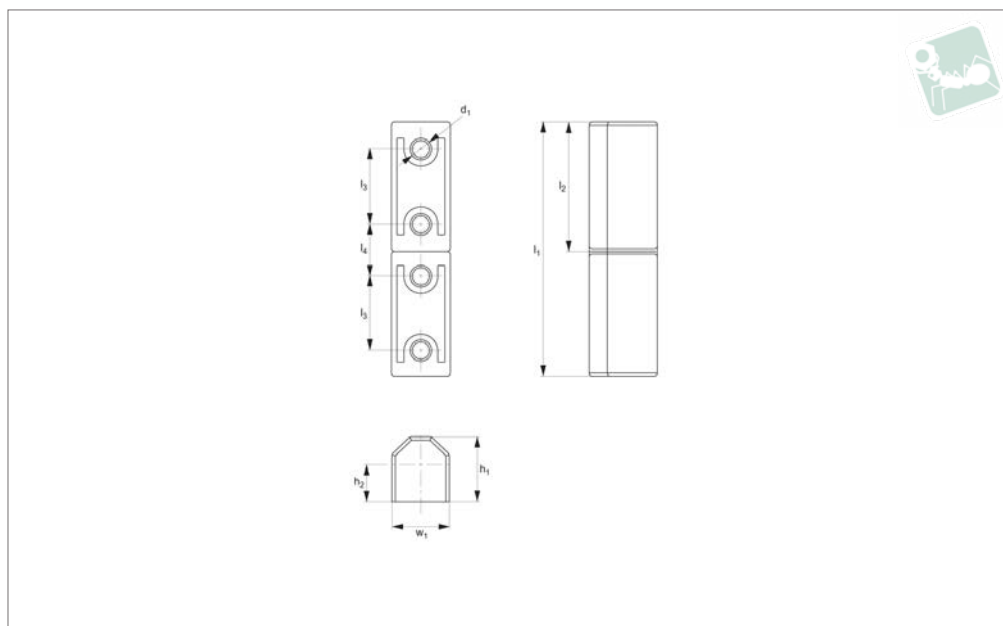




Lift-Off Hinges - In Line

bolt-on - zinc

Stays & Hinges



HH1220

STAYS & HINGES

Material

Body: die cast zinc, chrome plated or black powder coated.
Bushing: polyamide.

Technical Notes

Universal left or right hand opening doors.
For external mounting on cabinets, surface mounted doors, sheet metal doors etc.

Mounting via concealed 4xM 5 screws.
Opening angle 180°.

Order No.	Finish	l_1	w_1	d_1	h_1	h_2	l_2	l_3	l_4	F_x N	F_y N
HH1220.M0010	Chrome	64	15	M 5	17	10	32	19	13	600	1500
HH1220.M0020	Black Coated	64	15	M 5	17	10	32	19	13	600	1500