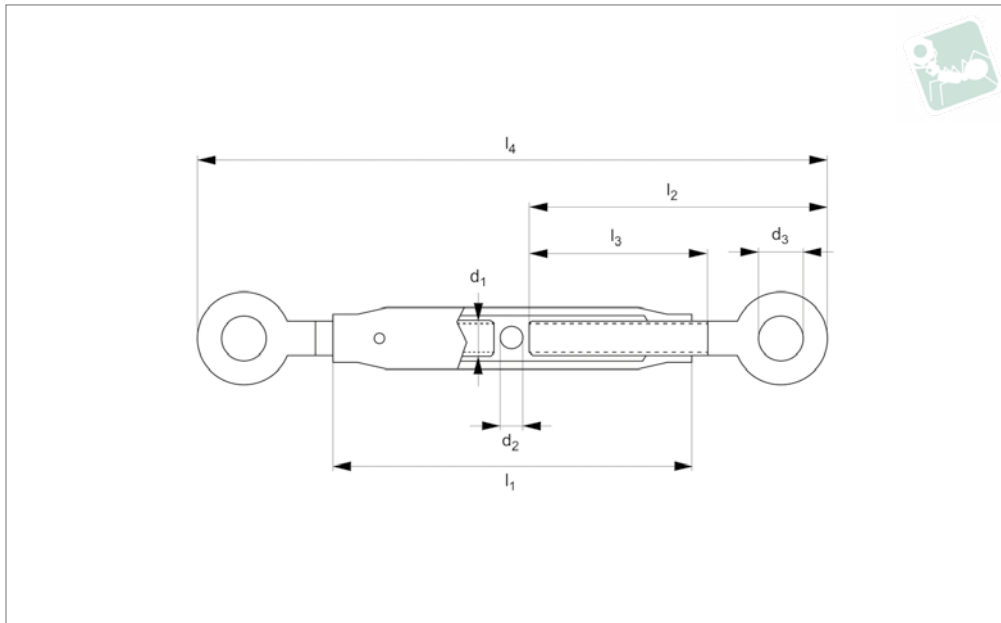




Eye End Pipe Body Turnbuckles

steel

Turnbuckles



LP1308

TURNBUCKLES

Material

Steel (1.0037), zinc-plated.
Hot dip galvanized, available on request providing increased protection against corrosion. Please add -FZ for hot dip galvanized, e.g. LP1304.006-FZ.

Tips

Turnbuckles consist of a metal frame with right hand thread one end and left hand thread the other end. Used for tensioning by rotating turnbuckle body without twisting attached rope or cable.

Only suitable for use in tension.

Technical Notes

To DIN 1478.

Important Notes

Turnbuckles are not to be used for lifting.

| Order No. | d_1 | l_1 | d_2 | d_3 | l_2 | l_3 | l_4 min. | l_4 max. | Weight kg |
|------------|-------|-------|-------|-------|-------|-------|---------------|---------------|--------------|
| LP1308.006 | M 6 | 110 | 6 | 10 | 74 | 50 | 154 | 244 | 0.16 |
| LP1308.008 | M 8 | 110 | 8 | 11 | 80 | 52 | 168 | 253 | 0.18 |
| LP1308.010 | M10 | 125 | 8 | 15 | 95 | 59 | 199 | 294 | 0.28 |
| LP1308.012 | M12 | 125 | 10 | 17 | 107 | 66 | 225 | 315 | 0.42 |
| LP1308.016 | M16 | 170 | 10 | 22 | 146 | 85 | 302 | 422 | 0.91 |
| LP1308.020 | M20 | 200 | 12 | 24 | 170 | 100 | 352 | 492 | 1.36 |
| LP1308.024 | M24 | 255 | 12 | 33 | 213 | 134 | 437 | 619 | 2.60 |
| LP1308.030 | M30 | 255 | 16 | 39 | 255 | 150 | 527 | 687 | 3.75 |
| LP1308.036 | M36 | 295 | 16 | 37 | 260 | 150 | 537 | 717 | 6.35 |
| LP1308.042 | M42 | 330 | 20 | 48 | 285 | 165 | 590 | 790 | 10.50 |
| LP1308.048 | M48 | 355 | 20 | 58 | 335 | 185 | 691 | 901 | 15.50 |