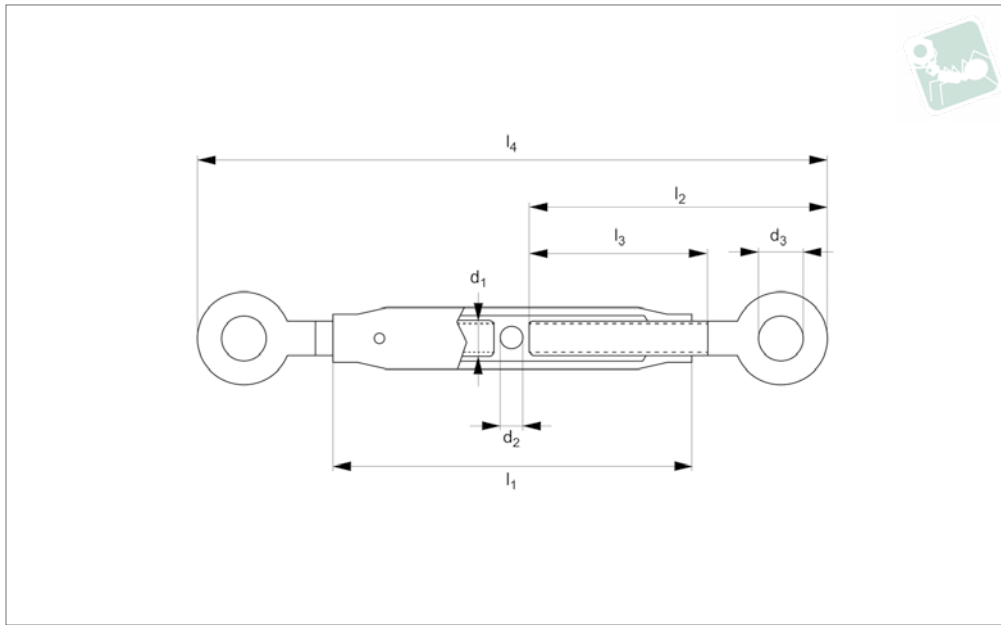




# Eye End Pipe Body Turnbuckles

stainless steel

## Turnbuckles



**LP1310**

TURNBUCKLES

**Material**  
Stainless steel (A4)

**Technical Notes**  
To DIN 1478.

**Tips**  
Turnbuckles consist of a metal frame with

right hand thread one end and left hand thread the other end. Used for tensioning by rotating turnbuckle body without twisting attached rope or cable.

**Important Notes**  
**Turnbuckles are not to be used for lifting.**

**Only suitable for use in tension.**

Order No.	$d_1$	$d_2$	$d_3$	$l_1$	$l_2$	$l_3$	$l_4$ min.	$l_4$ max.	Weight kg
LP1310.006	M 6	6	10	110	74	50	154	244	0.16
LP1310.008	M 8	8	11	110	80	52	168	253	0.18
LP1310.010	M10	8	15	125	95	59	199	294	0.28
LP1310.012	M12	10	17	125	107	66	225	315	0.42
LP1310.016	M16	10	22	170	146	85	302	422	0.91
LP1310.020	M20	12	24	200	170	100	352	492	1.36