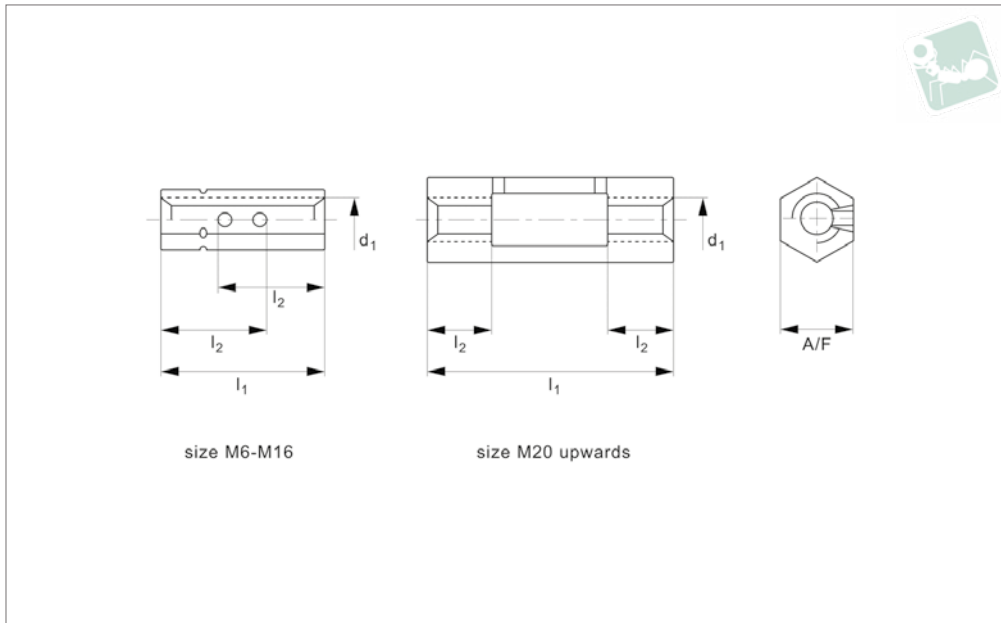




Hexagonal Body Turnbuckles

steel

Turnbuckles



LP1325

TURNBUCKLES

Material

Steel (1.0037), zinc-plated.
Hot dip galvanized, available on request providing increased protection against corrosion. Please add -FZ for hot dip galvanized, e.g. LP1304.006-FZ.

Technical Notes

To DIN 1479.

Tips

Turnbuckles consist of a metal frame with

right hand thread one end and left hand thread the other end. Used for tensioning by rotating turnbuckle body without twisting attached rope or cable.

Important Notes

L2 dimension indicates the length of thread from each end that has been overcut.

This means you can screw from one end a total of length l2. Please note if screwing in from both ends the length of thread is

half l2.

Sizes M6-M16, have overlapping thread, from M20 middle part is relieved.

Turnbuckles are not to be used for lifting. Only suitable for use in tension.

Order No.	d ₁	l ₁	l ₂	A/F	Adjustment	Weight kg
LP1325.006	M 6	30	22.5	10	15	0.02
LP1325.008	M 8	35	25.0	13	15	0.03
LP1325.010	M10	45	33.0	16	21	0.06
LP1325.012	M12	55	40.0	18	25	0.09
LP1325.016	M16	75	55.0	24	35	0.18
LP1325.020	M20	95	24.0	30	47	0.32
LP1325.024	M24	115	29.0	36	57	0.53
LP1325.030	M30	125	36.0	46	53	1.08