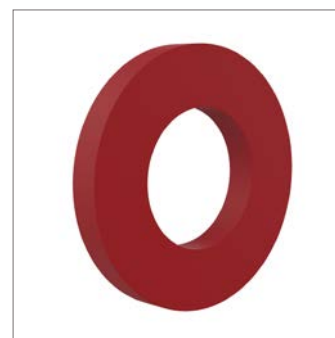
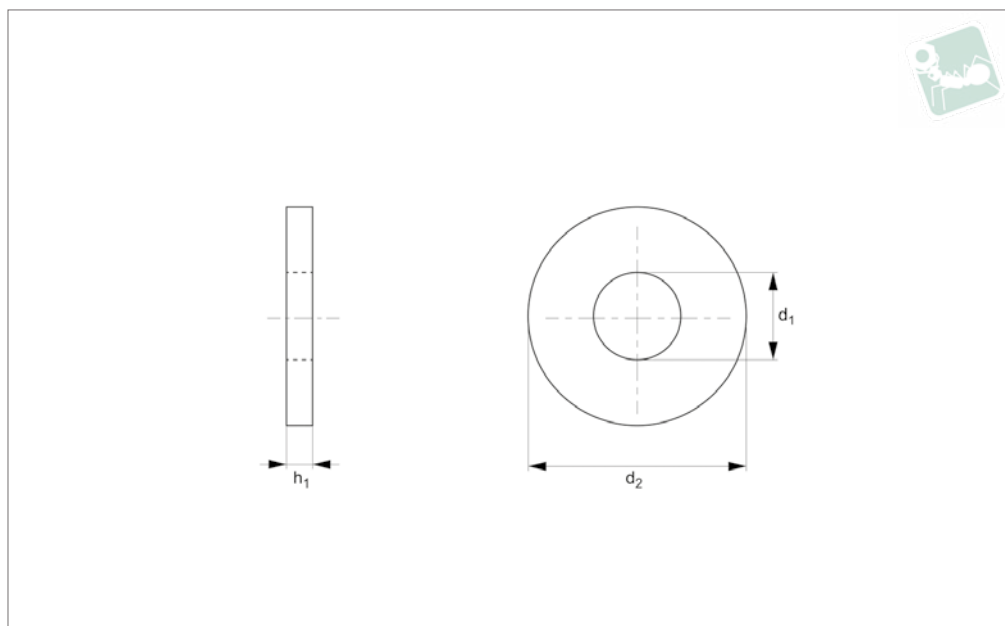




Neoprene Washer

Neoprene

Other Plastics



M0409.N9

OTHER PLASTICS

Material
Neoprene.

Technical Notes
Neoprene flat washer.

Order No.	Dia. \emptyset nom.	d_1	d_2	h_1	Material	Finish
M0409.030-005	3	3.2	7.0	0.5	Neoprene	unfinished
M0409.040-010	4	4.3	9.0	1.0	Neoprene	unfinished
M0409.050-010	5	5.3	10.0	1.0	Neoprene	unfinished
M0409.060-010	6	6.4	12.5	1.0	Neoprene	unfinished
M0409.080-015	8	8.4	17.0	1.5	Neoprene	unfinished
M0409.100-015	10	10.5	21.0	1.5	Neoprene	unfinished
M0409.120-020	13	13.0	24.0	2.0	Neoprene	unfinished
M0409.160-020	17	17.0	30.0	2.0	Neoprene	unfinished
M0409.200-030	21	21.0	37.0	3.0	Neoprene	unfinished