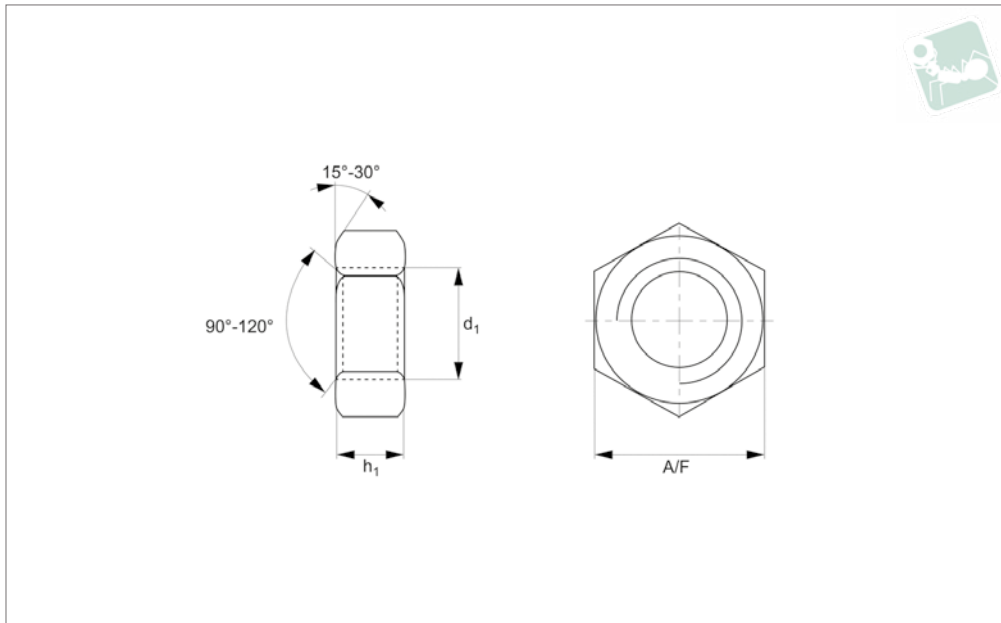




# Hexagon Full Nut

## DIN 934

Nylon



**N0500.NO**

NYLON

### Material

Nylon 66 (PA 6/66), standard.

### Technical Notes

Many Nylon parts are available in dyed black, this subject to a minimum value and process charge, please contact us for

further details.

Dyed black colour is not long term UV stable.

Nylon parts offer good electrical insulation, is resistant to corrosion and most dilute acids.

Nylon protects work surfaces and absorbs shocks and vibrations.

Good resistance to chemicals. Good wear resistance and low coefficient of friction.

Good resistance to shocks. \*M3: Thickness „h“ out of norm

Order No.	d	Colour	h	A/F	To standard
N0500.020.0AD	M 2	Natural	1.6	4.0	ISO 4032
N0500.020.0BD	M 2	Black	1.6	4.0	ISO 4032
N0500.025.0AD	M2,5	Natural	2.0	5.0	ISO 4032
N0500.025.0BD	M2,5	Black	2.0	5.0	ISO 4032
N0500.030.0AD	M 3*	Natural	2.4	5.5	DIN 934
N0500.030.0BD	M 3*	Black	2.2	5.4	ISO 4032
N0500.035.0AD	M 3,5	Natural	2.7	6.9	ISO 4032
N0500.040.0AD	M 4	Natural	3.2	7.0	DIN 934
N0500.050.0AD	M 5	Natural	4.0	8.0	DIN 934
N0500.050.0BD	M 5	Black	4.7	8.0	ISO 4032
N0500.060.0AD	M 6	Natural	5.0	10.0	DIN 934
N0500.060.0BD	M 6	Black	5.3	10.0	ISO 4032
N0500.080.0AD	M 8	Natural	6.5	13.0	DIN 934
N0500.080.0BD	M 8	Black	6.6	13.0	ISO 4032
N0500.100.0AD	M10	Natural	8.0	17.0	DIN 934
N0500.100.0BD	M10	Black	8.3	16.0	ISO 4032
N0500.120.0AD	M12	Natural	10	19	DIN 934
N0500.120.0BD	M12	Black	10	19	ISO 4032
N0500.140.0AD	M14	Natural	12.8	21.0	ISO 4032
N0500.140.0BD	M14	Black	12.8	21.0	ISO 4032
N0500.160.0AD	M16	Natural	13.0	24.0	DIN 934
N0500.160.0BD	M16	Black	14.8	24.0	ISO 4032
N0500.180.0AD	M18	Natural	16.0	27.0	ISO 4032
N0500.200.0AD	M20	Natural	18.0	30.0	ISO 4032
N0500.220.0AD	M22	Natural	18.0	32.0	ISO 4032
N0500.240.0AD	M24	Natural	21.5	36.0	ISO 4032
N0500.300.0AD	M30	Natural	25.0	46.0	ISO 4032
N0500.360.0AD	M36	Natural	29.0	55.0	ISO 4032
N0500.390.0AD	M39	Natural	31.0	60.0	ISO 4032
N0500.420.0AD	M42	Natural	32.4	65.0	ISO 4032