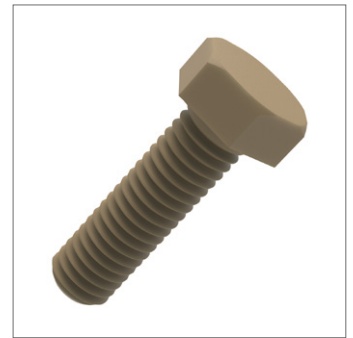
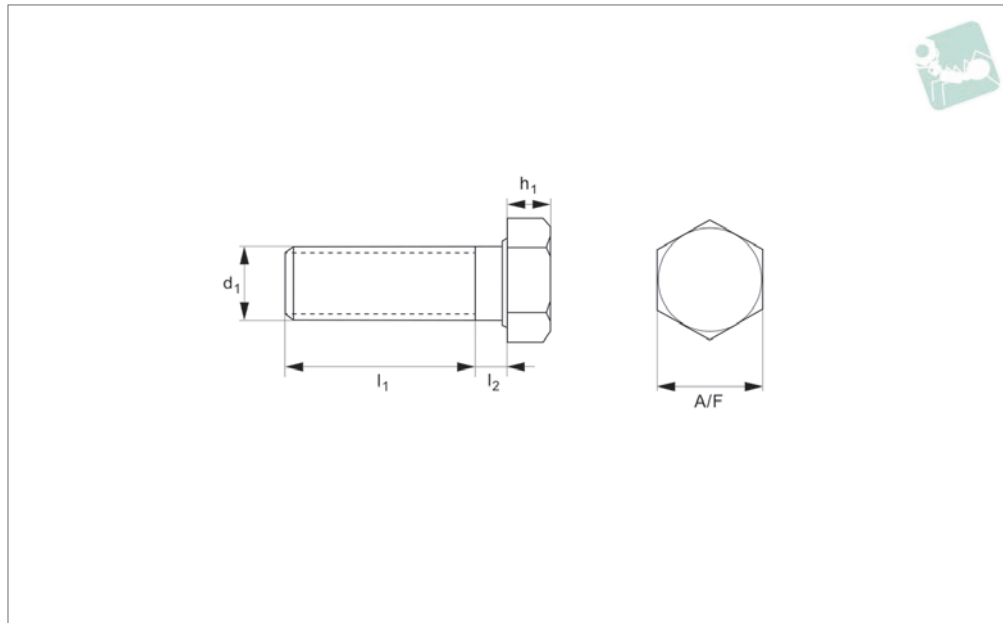




Hexagonal Head Set Screw

Natural PEEK

Other Plastics



N0501.NP

OTHER PLASTICS

Material

Natural Polyether-ether-ketone (PEEK).
Beige. A high performance plastic with very good durability and wear resistance. PEEK has excellent chemical resistance and performs well at temperatures up to 260°C. Tensile strength ~116N/mm².

Technical Notes

Generally to DIN 931.
Manufactured for industries with a hygienic requirement, these products are made with an X-Ray opaque or metal detectable filler, in blue, for optical detection. For medical industry applications, we can offer these

products in a variant of PEEK which is refined for biocompatibility. Natural PEEK is used in the aerospace and chemical industries.

Order No.	d ₁	l ₁ +/- 0.2	h ₁	l ₂ max.	A/F
N0501.040-008-NP	M 4	8	2.8	1.4	7
N0501.040-010-NP	M 4	10	2.8	1.4	7
N0501.040-012-NP	M 4	12	2.8	1.4	7
N0501.040-015-NP	M 4	15	2.8	1.4	7
N0501.040-020-NP	M 4	20	2.8	1.4	7
N0501.040-025-NP	M 4	25	2.8	1.4	7
N0501.050-010-NP	M 5	10	3.5	1.6	8
N0501.050-012-NP	M 5	12	3.5	1.6	8
N0501.050-015-NP	M 5	15	3.5	1.6	8
N0501.050-020-NP	M 5	20	3.5	1.6	8
N0501.050-025-NP	M 5	25	3.5	1.6	8
N0501.050-030-NP	M 5	30	3.5	1.6	8
N0501.060-010-NP	M 6	10	4.0	2.0	10
N0501.060-012-NP	M 6	12	4.0	2.0	10
N0501.060-015-NP	M 6	15	4.0	2.0	10
N0501.060-020-NP	M 6	20	4.0	2.0	10
N0501.060-025-NP	M 6	25	4.0	2.0	10
N0501.060-030-NP	M 6	30	4.0	2.0	10
N0501.060-035-NP	M 6	35	4.0	2.0	10
N0501.060-040-NP	M 6	40	4.0	2.0	10
N0501.060-045-NP	M 6	45	4.0	2.0	10
N0501.060-050-NP	M 6	50	4.0	2.0	10
N0501.080-010-NP	M 8	10	5.5	2.5	13
N0501.080-015-NP	M 8	15	5.5	2.5	13
N0501.080-020-NP	M 8	20	5.5	2.5	13
N0501.080-025-NP	M 8	25	5.5	2.5	13
N0501.080-030-NP	M 8	30	5.5	2.5	13
N0501.080-035-NP	M 8	35	5.5	2.5	13
N0501.080-040-NP	M 8	40	5.5	2.5	13
N0501.080-045-NP	M 8	45	5.5	2.5	13
N0501.080-050-NP	M 8	50	5.5	2.5	13



Order No.	d ₁	l ₁ +/- 0.2	h ₁	l ₂ max.	A/F
N0501.100-015-NP	M 10	15	7.0	3.0	17
N0501.100-020-NP	M 10	20	7.0	3.0	17
N0501.100-025-NP	M 10	25	7.0	3.0	17
N0501.100-030-NP	M 10	30	7.0	3.0	17
N0501.100-035-NP	M 10	35	7.0	3.0	17
N0501.100-040-NP	M 10	40	7.0	3.0	17
N0501.100-045-NP	M 10	45	7.0	3.0	17
N0501.100-050-NP	M 10	50	7.0	3.0	17