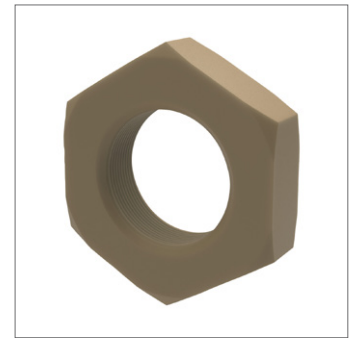
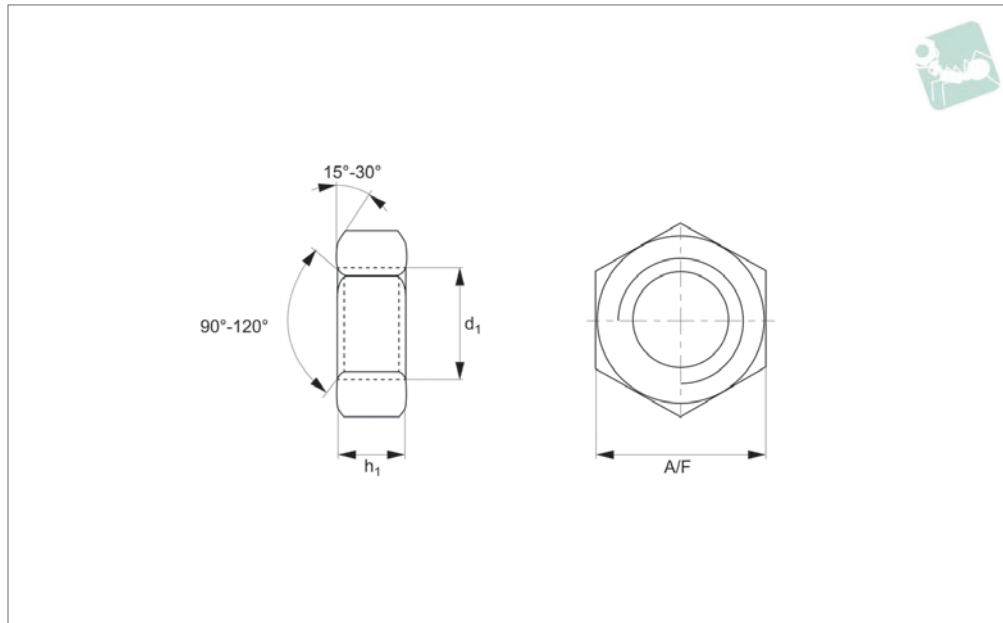




Hexagon Nuts

Natural PEEK

Other Plastics



N0502.NP

OTHER PLASTICS

Material

Natural Polyether-ether-ketone (PEEK).
Beige. A high performance plastic with very good durability and wear resistance.

PEEK has excellent chemical resistance and performs well at temperatures up to 260°C. Tensile strength ~116N/mm².

Technical Notes

Generally to DIN 934.

Order No.	d ₁	h ₁	A/F
N0502.030-NP	M 3	2.4	5.5
N0502.040-NP	M 4	3.2	7.0
N0502.050-NP	M 5	4.0	8.0
N0502.060-NP	M 6	5.0	10.0
N0502.080-NP	M 8	6.5	13.0
N0502.100-NP	M 10	8.0	17.0