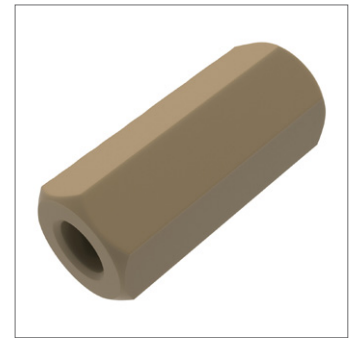
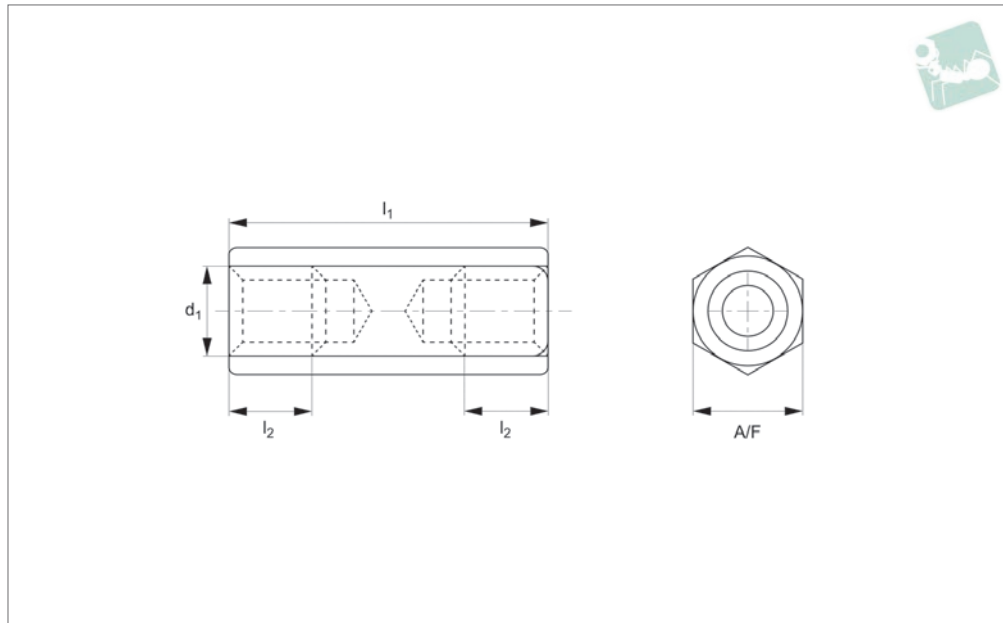




Female-Female Hexagon Spacers

Natural PEEK

Other Plastics



N0503.NP

OTHER PLASTICS

Material

Natural Polyether-ether-ketone (PEEK).
Beige.

A high performance plastic with very good durability and wear resistance. PEEK has excellent chemical resistance and performs

well at temperatures up to 260°C.
Tensile strength ~116N/mm².

Order No.	d ₁	l ₁ +/- 0.2	l ₂	A/F
N0503.030-004-NP	M 3	4	2.0	6
N0503.030-005-NP	M 3	5	2.5	6
N0503.030-006-NP	M 3	6	3.0	6
N0503.030-008-NP	M 3	8	4.0	6
N0503.030-010-NP	M 3	10	5.0	6
N0503.030-012-NP	M 3	12	6.0	6
N0503.030-015-NP	M 3	15	7.5	6
N0503.030-018-NP	M 3	18	9.0	6
N0503.030-020-NP	M 3	20	10.0	6
N0503.030-025-NP	M 3	25	10.0	6
N0503.030-030-NP	M 3	30	10.0	6
N0503.040-005-NP	M 4	5	2.5	7
N0503.040-006-NP	M 4	6	3.0	7
N0503.040-008-NP	M 4	8	4.0	7
N0503.040-010-NP	M 4	10	5.0	7
N0503.040-012-NP	M 4	12	6.0	7
N0503.040-015-NP	M 4	15	7.5	7
N0503.040-018-NP	M 4	18	9.0	7
N0503.040-020-NP	M 4	20	10.0	7
N0503.040-025-NP	M 4	25	10.0	7
N0503.040-030-NP	M 4	30	10.0	7
N0503.040-035-NP	M 4	35	10.0	7
N0503.040-040-NP	M 4	40	10.0	7
N0503.050-006-NP	M 5	6	3.0	8
N0503.050-008-NP	M 5	8	4.0	8
N0503.050-010-NP	M 5	10	5.0	8
N0503.050-012-NP	M 5	12	6.0	8
N0503.050-015-NP	M 5	15	7.5	8
N0503.050-018-NP	M 5	18	9.0	8
N0503.050-020-NP	M 5	20	10.0	8
N0503.050-025-NP	M 5	25	10.0	8
N0503.050-030-NP	M 5	30	10.0	8
N0503.050-035-NP	M 5	35	10.0	8
N0503.050-040-NP	M 5	40	10.0	8