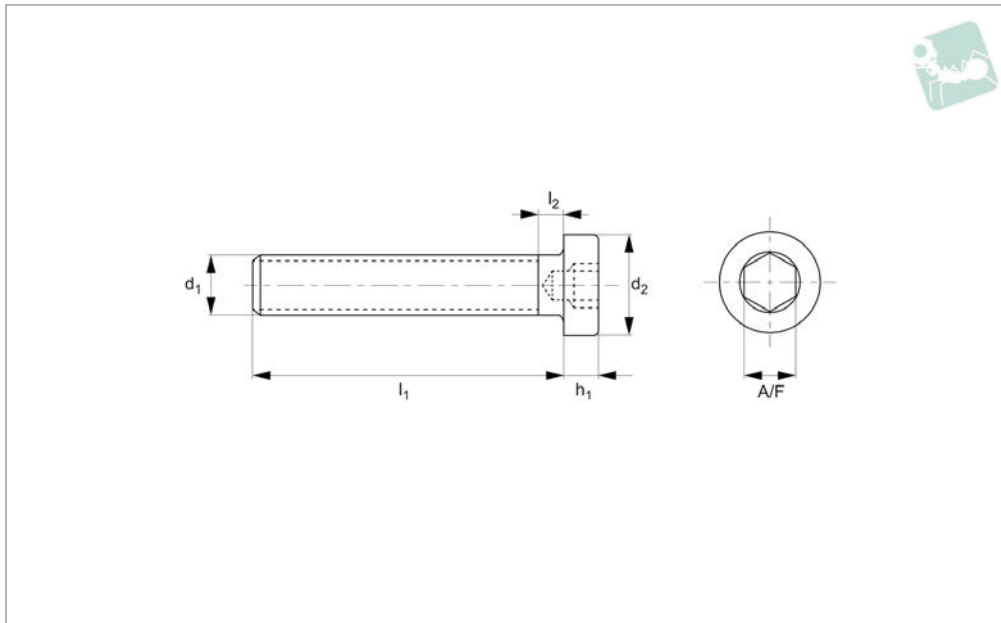




# Low Cap Head Hex Socket Screws

Natural PEEK

## Other Plastics



**N0511.NP**

OTHER PLASTICS

### Material

Natural Polyether-ether-ketone (PEEK).  
Beige. A high performance plastic with very good durability and wear resistance. PEEK has excellent chemical resistance and performs well at temperatures up to 260°C.

Tensile strength ~116N/mm<sup>2</sup>.

### Technical Notes

Manufactured for industries with a hygienic requirement, these products are made with an X-Ray opaque or metal detectable filler,

in blue, for optical detection. For medical industry applications, we can offer these products in a variant of PEEK which is refined for biocompatibility. Natural PEEK is used in the aerospace and chemical industries.

Order No.	d <sub>1</sub>	l <sub>1</sub> +/- 0.2	d <sub>2</sub>	h <sub>1</sub>	l <sub>2</sub> max.	A/F
N0511.030-006-NP	M 3	6	5.5	2.40	1.0	2.0
N0511.030-008-NP	M 3	8	5.5	2.40	1.0	2.0
N0511.030-010-NP	M 3	10	5.5	2.40	1.0	2.0
N0511.030-012-NP	M 3	12	5.5	2.40	1.0	2.0
N0511.030-016-NP	M 3	16	5.5	2.40	1.0	2.0
N0511.030-020-NP	M 3	20	5.5	2.40	1.0	2.0
N0511.040-006-NP	M 4	6	7.0	3.10	1.4	2.5
N0511.040-008-NP	M 4	8	7.0	3.10	1.4	2.5
N0511.040-010-NP	M 4	10	7.0	3.10	1.4	2.5
N0511.040-012-NP	M 4	12	7.0	3.10	1.4	2.5
N0511.040-016-NP	M 4	16	7.0	3.10	1.4	2.5
N0511.040-020-NP	M 4	20	7.0	3.10	1.4	2.5
N0511.040-025-NP	M 4	25	7.0	3.10	1.4	2.5
N0511.050-008-NP	M 5	8	8.5	3.65	1.6	3.0
N0511.050-010-NP	M 5	10	8.5	3.65	1.6	3.0
N0511.050-012-NP	M 5	12	8.5	3.65	1.6	3.0
N0511.050-016-NP	M 5	16	8.5	3.65	1.6	3.0
N0511.050-020-NP	M 5	20	8.5	3.65	1.6	3.0
N0511.050-025-NP	M 5	25	8.5	3.65	1.6	3.0
N0511.050-030-NP	M 5	30	8.5	3.65	1.6	3.0
N0511.060-010-NP	M 6	10	10.0	4.40	2.0	4.0
N0511.060-012-NP	M 6	12	10.0	4.40	2.0	4.0
N0511.060-016-NP	M 6	16	10.0	4.40	2.0	4.0
N0511.060-020-NP	M 6	20	10.0	4.40	2.0	4.0
N0511.060-025-NP	M 6	25	10.0	4.40	2.0	4.0
N0511.060-030-NP	M 6	30	10.0	4.40	2.0	4.0
N0511.060-040-NP	M 6	40	10.0	4.40	2.0	4.0