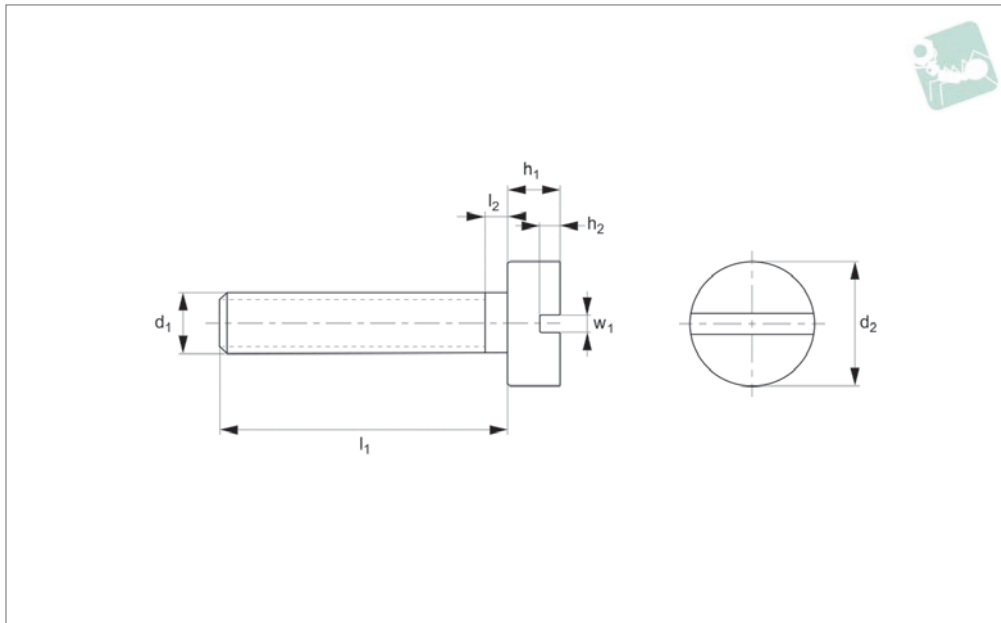




Slotted Cheese Head Screw

Natural Peek

Other Plastics



N0512.NP

OTHER PLASTICS

Material

Natural Polyether-ether-ketone (PEEK).
Beige.

A high performance plastic with very good durability and wear resistance. PEEK has excellent chemical resistance and performs

well at temperatures up to 260°C.
Tensile strength ~116N/mm².

Technical Notes

To DIN 84.

Manufactured for industries with a hygienic requirement, these products are made with

an X-Ray opaque or metal detectable filler, in blue, for optical detection. For medical industry applications, we can offer these products in a variant of PEEK which is refined for biocompatibility. Natural PEEK is used in the aerospace and chemical industries.

Order No.	d ₁	l ₁ +/- 0.2	d ₂	h ₁	l ₂ max.	h ₂	w ₁
N0512.020-006-NP	M 2	6	3.8	1.4	0.8	0.6	0.5
N0512.020-008-NP	M 2	8	3.8	1.4	0.8	0.6	0.5
N0512.020-010-NP	M 2	10	3.8	1.4	0.8	0.6	0.5
N0512.020-012-NP	M 2	12	3.8	1.4	0.8	0.6	0.5
N0512.020-015-NP	M 2	15	3.8	1.4	0.8	0.6	0.5
N0512.020-020-NP	M 2	20	3.8	1.4	0.8	0.6	0.5
N0512.025-006-NP	M 2.5	6	4.5	1.8	0.9	0.7	0.6
N0512.025-008-NP	M 2.5	8	4.5	1.8	0.9	0.7	0.6
N0512.025-010-NP	M 2.5	10	4.5	1.8	0.9	0.7	0.6
N0512.025-012-NP	M 2.5	12	4.5	1.8	0.9	0.7	0.6
N0512.025-015-NP	M 2.5	15	4.5	1.8	0.9	0.7	0.6
N0512.025-020-NP	M 2.5	20	4.5	1.8	0.9	0.7	0.6
N0512.030-005-NP	M 3	4	5.5	2.0	1.0	0.8	0.8
N0512.030-006-NP	M 3	6	5.5	2.0	1.0	0.8	0.8
N0512.030-008-NP	M 3	8	5.5	2.0	1.0	0.8	0.8
N0512.030-010-NP	M 3	10	5.5	2.0	1.0	0.8	0.8
N0512.030-012-NP	M 3	12	5.5	2.0	1.0	0.8	0.8
N0512.030-015-NP	M 3	15	5.5	2.0	1.0	0.8	0.8
N0512.030-020-NP	M 3	20	5.5	2.0	1.0	0.8	0.8
N0512.030-025-NP	M 3	25	5.5	2.0	1.0	0.8	0.8
N0512.030-030-NP	M 3	30	5.5	2.0	1.0	0.8	0.8
N0512.040-006-NP	M 4	6	7.0	2.6	1.4	1.1	1.2
N0512.040-008-NP	M 4	8	7.0	2.6	1.4	1.1	1.2
N0512.040-010-NP	M 4	10	7.0	2.6	1.4	1.1	1.2
N0512.040-012-NP	M 4	12	7.0	2.6	1.4	1.1	1.2
N0512.040-015-NP	M 4	15	7.0	2.6	1.4	1.1	1.2
N0512.040-020-NP	M 4	20	7.0	2.6	1.4	1.1	1.2
N0512.040-025-NP	M 4	25	7.0	2.6	1.4	1.1	1.2
N0512.050-008-NP	M 5	8	8.5	3.3	1.6	1.3	1.2
N0512.050-010-NP	M 5	10	8.5	3.3	1.6	1.3	1.2
N0512.050-012-NP	M 5	12	8.5	3.3	1.6	1.3	1.2



Order No.	d ₁	l ₁ +/- 0.2	d ₂	h ₁	l ₂ max.	h ₂	w ₁
N0512.050-015-NP	M 5	15	8.5	3.3	1.6	1.3	1.2
N0512.050-020-NP	M 5	20	8.5	3.3	1.6	1.3	1.2
N0512.050-030-NP	M 5	30	8.5	3.3	1.6	1.3	1.2
N0512.060-008-NP	M 6	8	10.0	3.9	2.0	1.6	1.6
N0512.060-010-NP	M 6	10	10.0	3.9	2.0	1.6	1.6
N0512.060-012-NP	M 6	12	10.0	3.9	2.0	1.6	1.6
N0512.060-015-NP	M 6	15	10.0	3.9	2.0	1.6	1.6
N0512.060-012-NP	M 6	20	10.0	3.9	2.0	1.6	1.6
N0512.060-025-NP	M 6	25	10.0	3.9	2.0	1.6	1.6
N0512.060-030-NP	M 6	30	10.0	3.9	2.0	1.6	1.6
N0512.060-035-NP	M 6	35	10.0	3.9	2.0	1.6	1.6
N0512.060-040-NP	M 6	40	10.0	3.9	2.0	1.6	1.6
N0512.080-010-NP	M 8	10	13.0	5.0	2.5	2.0	2.3
N0512.080-015-NP	M 8	15	13.0	5.0	2.5	2.0	2.3
N0512.080-020-NP	M 8	20	13.0	5.0	2.5	2.0	2.3
N0512.080-025-NP	M 8	25	13.0	5.0	2.5	2.0	2.3
N0512.080-030-NP	M 8	30	13.0	5.0	2.5	2.0	2.3
N0512.080-035-NP	M 8	35	13.0	5.0	2.5	2.0	2.3
N0512.080-040-NP	M 8	40	13.0	5.0	2.5	2.0	2.3