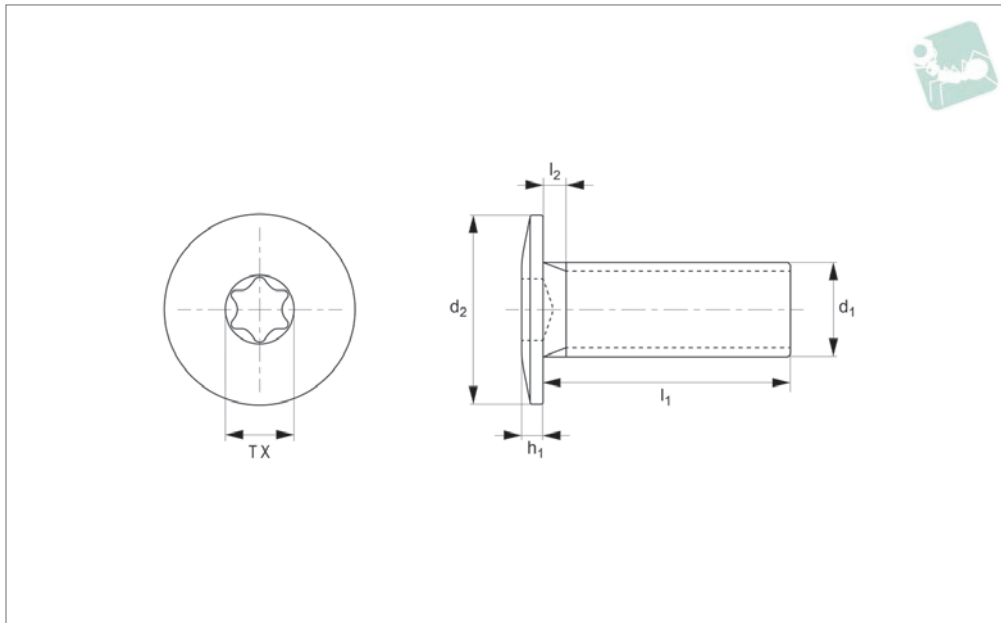




# Torx Ultra Low Head Screws

Natural PEEK

## Other Plastics



**N0513.NP**

OTHER PLASTICS

### Material

Natural Polyether-ether-ketone (PEEK).  
Beige. A high performance plastic with very good durability and wear resistance. PEEK has excellent chemical resistance and performs well at temperatures up to 260°C.

Tensile strength ~116N/mm<sup>2</sup>.

### Technical Notes

Manufactured for industries with a hygienic requirement, these products are made with an X-Ray opaque or metal detectable filler,

in blue, for optical detection. For medical industry applications, we can offer these products in a variant of PEEK which is refined for biocompatibility. Natural PEEK is used in the aerospace and chemical industries.

Order No.	d <sub>1</sub>	l <sub>1</sub> +/- 0.2	d <sub>2</sub>	h <sub>1</sub>	l <sub>2</sub> max.	TX size
N0513.030-006-NP	M 3	6	6	1.3	1.0	8
N0513.030-008-NP	M 3	8	6	1.3	1.0	8
N0513.030-010-NP	M 3	10	6	1.3	1.0	8
N0513.030-012-NP	M 3	12	6	1.3	1.0	8
N0513.030-016-NP	M 3	16	6	1.3	1.0	8
N0513.030-020-NP	M 3	20	6	1.3	1.0	8
N0513.040-006-NP	M 4	6	8	1.5	1.4	10
N0513.040-008-NP	M 4	8	8	1.5	1.4	10
N0513.040-010-NP	M 4	10	8	1.5	1.4	10
N0513.040-012-NP	M 4	12	8	1.5	1.4	10
N0513.040-016-NP	M 4	16	8	1.5	1.4	10
N0513.040-020-NP	M 4	20	8	1.5	1.4	10
N0513.040-025-NP	M 4	25	8	1.5	1.4	10
N0513.050-008-NP	M 5	8	9	1.5	1.6	15
N0513.050-010-NP	M 5	10	9	1.5	1.6	15
N0513.050-012-NP	M 5	12	9	1.5	1.6	15
N0513.050-016-NP	M 5	16	9	1.5	1.6	15
N0513.050-020-NP	M 5	20	9	1.5	1.6	15
N0513.050-025-NP	M 5	25	9	1.5	1.6	15
N0513.050-030-NP	M 5	30	9	1.5	1.6	15
N0513.060-010-NP	M 6	10	10	1.5	2.0	20
N0513.060-012-NP	M 6	12	10	1.5	2.0	20
N0513.060-016-NP	M 6	16	10	1.5	2.0	20
N0513.060-020-NP	M 6	20	10	1.5	2.0	20
N0513.060-025-NP	M 6	25	10	1.5	2.0	20
N0513.060-030-NP	M 6	30	10	1.5	2.0	20
N0513.060-035-NP	M 6	35	10	1.5	2.0	20
N0513.060-040-NP	M 6	40	10	1.5	2.0	20