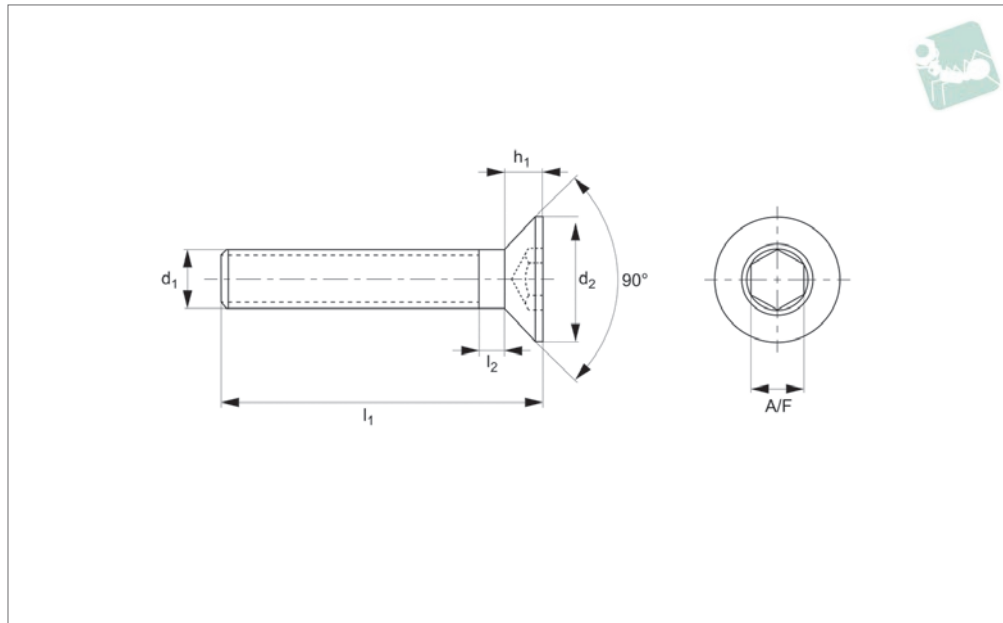




Countersunk Hexagon Head Screws

Natural PEEK

Other Plastics



N0514.NP

OTHER PLASTICS

Material

Natural Polyether-ether-ketone (PEEK).
Beige. A high performance plastic with very good durability and wear resistance. PEEK has excellent chemical resistance and performs well at temperatures up to 260°C. Tensile strength ~116N/mm².

Technical Notes

Generally to DIN 7991.
Manufactured for industries with a hygienic requirement, these products are made with an X-Ray opaque or metal detectable filler, in blue, for optical detection. For medical industry applications, we can offer these

products in a variant of PEEK which is refined for biocompatibility. Natural PEEK is used in the aerospace and chemical industries.

Order No.	d ₁	l ₁ +/- 0.2	d ₂	h ₁	l ₂ max.	A/F
N0514.030-008-NP	M 3	8	6	1.7	1.0	2.0
N0514.030-010-NP	M 3	10	6	1.7	1.0	2.0
N0514.030-012-NP	M 3	12	6	1.7	1.0	2.0
N0514.030-016-NP	M 3	16	6	1.7	1.0	2.0
N0514.030-020-NP	M 3	20	6	1.7	1.0	2.0
N0514.040-008-NP	M 4	8	8	2.3	1.4	2.5
N0514.040-010-NP	M 4	10	8	2.3	1.4	2.5
N0514.040-012-NP	M 4	12	8	2.3	1.4	2.5
N0514.040-016-NP	M 4	16	8	2.3	1.4	2.5
N0514.040-020-NP	M 4	20	8	2.3	1.4	2.5
N0514.040-025-NP	M 4	25	8	2.3	1.4	2.5
N0514.050-008-NP	M 5	8	10	2.8	1.6	3.0
N0514.050-010-NP	M 5	10	10	2.8	1.6	3.0
N0514.050-012-NP	M 5	12	10	2.8	1.6	3.0
N0514.050-016-NP	M 5	16	10	2.8	1.6	3.0
N0514.050-020-NP	M 5	20	10	2.8	1.6	3.0
N0514.050-025-NP	M 5	25	10	2.8	1.6	3.0
N0514.050-030-NP	M 5	30	10	2.8	1.6	3.0
N0514.060-008-NP	M 6	8	12	3.3	2.0	4.0
N0514.060-010-NP	M 6	10	12	3.3	2.0	4.0
N0514.060-012-NP	M 6	12	12	3.3	2.0	4.0
N0514.060-015-NP	M 6	15	12	3.3	2.0	4.0
N0514.060-016-NP	M 6	16	12	3.3	2.0	4.0
N0514.060-020-NP	M 6	20	12	3.3	2.0	4.0
N0514.060-025-NP	M 6	25	12	3.3	2.0	4.0
N0514.060-030-NP	M 6	30	12	3.3	2.0	4.0
N0514.060-035-NP	M 6	35	12	3.3	2.0	4.0