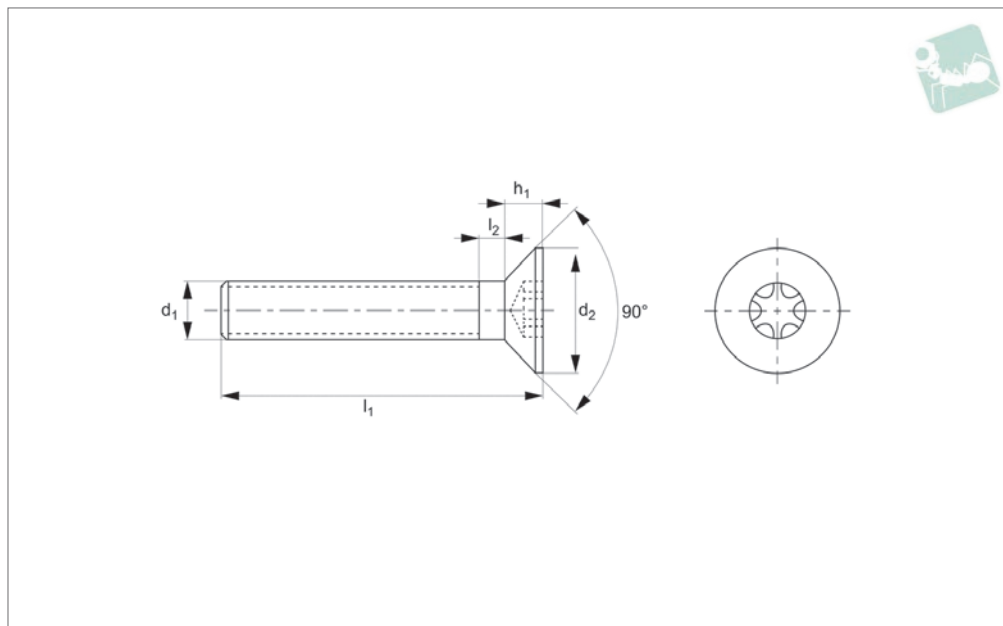




Torx Countersunk Head Screws

Natural PEEK

Other Plastics



N0515.NP

OTHER PLASTICS

Material

Natural Polyether-ether-ketone (PEEK).
Beige.

A high performance plastic with very good durability and wear resistance. PEEK has excellent chemical resistance and performs well at temperatures up to 260°C.

Tensile strength ~116N/mm².

Technical Notes

Manufactured for industries with a hygienic requirement, these products are made with an X-Ray opaque or metal detectable filler, in blue, for optical detection. For medical

industry applications, we can offer these products in a variant of PEEK which is refined for biocompatibility. Natural PEEK is used in the aerospace and chemical industries.

Order No.	d ₁	l ₁ +/- 0.2	d ₂	l ₂ max.	h ₁	Size
N0515.020-004-NP	M 2	4	4	0.8	1.20	TX-6
N0515.020-006-NP	M 2	6	4	0.8	1.20	TX-6
N0515.020-008-NP	M 2	8	4	0.8	1.20	TX-6
N0515.020-010-NP	M 2	10	4	0.8	1.20	TX-6
N0515.020-012-NP	M 2	12	4	0.8	1.20	TX-6
N0515.020-015-NP	M 2	15	4	0.8	1.20	TX-6
N0515.020-020-NP	M 2	20	4	0.8	1.20	TX-6
N0515.025-004-NP	M 2.5	4	4	0.9	1.50	TX-8
N0515.025-006-NP	M 2.5	6	5	0.9	1.50	TX-8
N0515.025-008-NP	M 2.5	8	5	0.9	1.50	TX-8
N0515.025-010-NP	M 2.5	10	5	0.9	1.50	TX-8
N0515.025-012-NP	M 2.5	12	5	0.9	1.50	TX-8
N0515.025-015-NP	M 2.5	15	5	0.9	1.50	TX-8
N0515.025-020-NP	M 2.5	20	5	0.9	1.50	TX-8
N0515.030-004-NP	M 3	4	6	1.0	1.65	TX-10
N0515.030-006-NP	M 3	6	6	1.0	1.65	TX-10
N0515.030-008-NP	M 3	8	6	1.0	1.65	TX-10
N0515.030-010-NP	M 3	10	6	1.0	1.65	TX-10
N0515.030-012-NP	M 3	12	6	1.0	1.65	TX-10
N0515.030-015-NP	M 3	15	6	1.0	1.65	TX-10
N0515.030-020-NP	M 3	20	6	1.0	1.65	TX-10
N0515.030-025-NP	M 3	25	6	1.0	1.65	TX-10
N0515.030-030-NP	M 3	30	6	1.0	1.65	TX-10
N0515.040-006-NP	M 4	6	8	1.4	2.20	TX-20
N0515.040-008-NP	M 4	8	8	1.4	2.20	TX-20
N0515.040-010-NP	M 4	10	8	1.4	2.20	TX-20
N0515.040-012-NP	M 4	12	8	1.4	2.20	TX-20
N0515.040-015-NP	M 4	15	8	1.4	2.20	TX-20
N0515.040-020-NP	M 4	20	8	1.4	2.20	TX-20
N0515.040-025-NP	M 4	25	8	1.4	2.20	TX-20
N0515.040-030-NP	M 4	30	8	1.4	2.20	TX-20



Order No.	d ₁	l ₁ +/- 0.2	d ₂	l ₂ max.	h ₁	Size
N0515.050-008-NP	M 5	8	10	1.6	2.50	TX-25
N0515.050-010-NP	M 5	10	10	1.6	2.50	TX-25
N0515.050-012-NP	M 5	12	10	1.6	2.50	TX-25
N0515.050-015-NP	M 5	15	10	1.6	2.50	TX-25
N0515.050-020-NP	M 5	20	10	1.6	2.50	TX-25
N0515.050-025-NP	M 5	25	10	1.6	2.50	TX-25
N0515.050-030-NP	M 5	30	10	1.6	2.50	TX-25
N0515.060-008-NP	M 6	8	12	2.0	3.00	TX-30
N0515.060-010-NP	M 6	10	12	2.0	3.00	TX-30
N0515.060-012-NP	M 6	12	12	2.0	3.00	TX-30
N0515.060-015-NP	M 6	15	12	2.0	3.00	TX-30
N0515.060-020-NP	M 6	20	12	2.0	3.00	TX-30
N0515.060-025-NP	M 6	25	12	2.0	3.00	TX-30
N0515.060-030-NP	M 6	30	12	2.0	3.00	TX-30
N0515.080-010-NP	M 8	10	16	2.5	4.00	TX-35
N0515.080-015-NP	M 8	15	16	2.5	4.00	TX-35
N0515.080-020-NP	M 8	20	16	2.5	4.00	TX-35
N0515.080-025-NP	M 8	25	16	2.5	4.00	TX-35
N0515.080-030-NP	M 8	30	16	2.5	4.00	TX-35