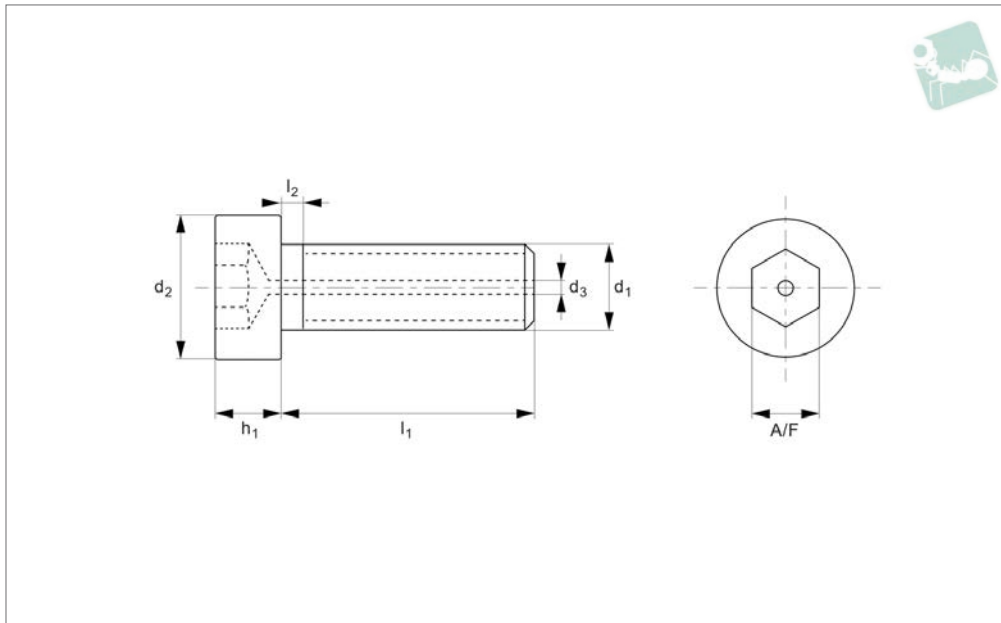




Cap Head Vented Screws

Natural PEEK

Other Plastics



N0530.NP

OTHER PLASTICS

Material

Natural Polyether-ether-ketone (PEEK).
Beige.

A high performance plastic with very good durability and wear resistance. PEEK has excellent chemical resistance and performs

well at temperatures up to 260°C.
Tensile strength ~116N/mm².

Technical Notes

Manufactured for industries with a hygienic requirement, these products are made with an X-Ray opaque or metal detectable filler,

in blue, for optical detection. For medical industry applications, we can offer these products in a variant of PEEK which is refined for biocompatibility. Natural PEEK is used in the aerospace and chemical industries.

Order No.	d ₁	l ₁ +/- 0.2	d ₂	d ₃	h ₁	l ₂ max.	A/F
N0530.030-006-NP	M 3	6	5.5	1.0	3.0	1.0	2.5
N0530.030-008-NP	M 3	8	5.5	1.0	3.0	1.0	2.5
N0530.030-010-NP	M 3	10	5.5	1.0	3.0	1.0	2.5
N0530.030-012-NP	M 3	12	5.5	1.0	3.0	1.0	2.5
N0530.030-015-NP	M 3	15	5.5	1.0	3.0	1.0	2.5
N0530.030-020-NP	M 3	20	5.5	1.0	3.0	1.0	2.5
N0530.040-006-NP	M 4	6	7.0	1.0	4.0	1.4	3.0
N0530.040-008-NP	M 4	8	7.0	1.0	4.0	1.4	3.0
N0530.040-010-NP	M 4	10	7.0	1.0	4.0	1.4	3.0
N0530.040-012-NP	M 4	12	7.0	1.0	4.0	1.4	3.0
N0530.040-015-NP	M 4	15	7.0	1.0	4.0	1.4	3.0
N0530.040-020-NP	M 4	20	7.0	1.0	4.0	1.4	3.0
N0530.040-025-NP	M 4	25	7.0	1.0	4.0	1.4	3.0
N0530.040-030-NP	M 4	30	7.0	1.0	4.0	1.4	3.0
N0530.050-008-NP	M 5	8	8.5	1.3	5.0	1.6	4.0
N0530.050-010-NP	M 5	10	8.5	1.3	5.0	1.6	4.0
N0530.050-012-NP	M 5	12	8.5	1.3	5.0	1.6	4.0
N0530.050-015-NP	M 5	15	8.5	1.3	5.0	1.6	4.0
N0530.050-020-NP	M 5	20	8.5	1.3	5.0	1.6	4.0
N0530.050-025-NP	M 5	25	8.5	1.3	5.0	1.6	4.0
N0530.050-030-NP	M 5	30	8.5	1.3	5.0	1.6	4.0
N0530.060-008-NP	M 6	8	10.0	1.6	6.0	2.0	5.0
N0530.060-010-NP	M 6	10	10.0	1.6	6.0	2.0	5.0
N0530.060-012-NP	M 6	12	10.0	1.6	6.0	2.0	5.0
N0530.060-015-NP	M 6	15	10.0	1.6	6.0	2.0	5.0
N0530.060-020-NP	M 6	20	10.0	1.6	6.0	2.0	5.0
N0530.060-025-NP	M 6	25	10.0	1.6	6.0	2.0	5.0
N0530.060-030-NP	M 6	30	10.0	1.6	6.0	2.0	5.0
N0530.080-010-NP	M 8	10	13.0	1.8	8.0	2.5	6.0
N0530.080-015-NP	M 8	15	13.0	1.8	8.0	2.5	6.0
N0530.080-020-NP	M 8	20	13.0	1.8	8.0	2.5	6.0



Order No.	d ₁	l ₁ +/- 0.2	d ₂	d ₃	h ₁	l ₂ max.	A/F
N0530.080-025-NP	M 8	25	13.0	1.8	8.0	2.5	6.0
N0530.080-030-NP	M 8	30	13.0	1.8	8.0	2.5	6.0
N0530.120-015-NP	M 12	15	18.0	1.8	12.0	3.5	10.0
N0530.120-020-NP	M 12	20	18.0	1.8	12.0	3.5	10.0
N0530.120-025-NP	M 12	25	18.0	1.8	12.0	3.5	10.0
N0530.120-030-NP	M 12	30	18.0	1.8	12.0	3.5	10.0