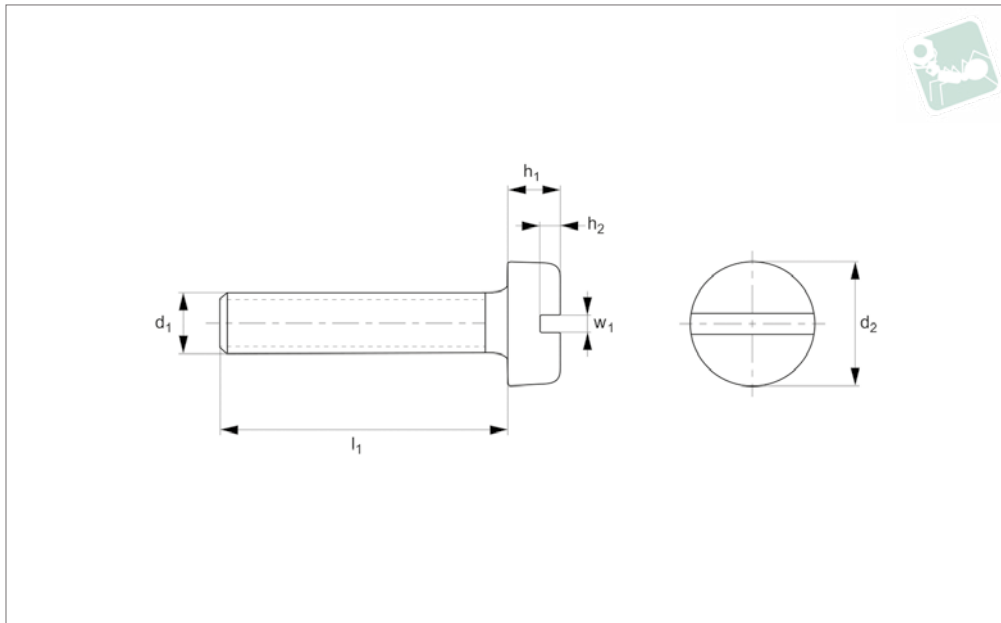




# Slotted Cheese Head Screws

Slotted cheese head, DIN 84

Polypropylene



**P0001.N2**

POLYPROPYLENE

**Material**  
Polypropylene.

**Technical Notes**  
Polypropylene slotted cheese head.  
To DIN 84.

| Order No.     | d <sub>1</sub> | d <sub>2</sub> | h <sub>1</sub> | h <sub>2</sub> | l  | w    | Material      | Finish     |
|---------------|----------------|----------------|----------------|----------------|----|------|---------------|------------|
| P0001.050-012 | M 5            | 8.5            | 3.3            | 1.30           | 12 | 1.20 | Polypropylene | unfinished |
| P0001.050-016 | M 5            | 8.5            | 3.3            | 1.30           | 16 | 1.20 | Polypropylene | unfinished |
| P0001.050-020 | M 5            | 8.5            | 3.3            | 1.30           | 20 | 1.20 | Polypropylene | unfinished |
| P0001.060-010 | M 6            | 10.0           | 3.9            | 1.60           | 10 | 1.60 | Polypropylene | unfinished |
| P0001.060-012 | M 6            | 10.0           | 3.9            | 1.60           | 12 | 1.60 | Polypropylene | unfinished |
| P0001.060-016 | M 6            | 10.0           | 3.9            | 1.60           | 16 | 1.60 | Polypropylene | unfinished |
| P0001.060-020 | M 6            | 10.0           | 3.9            | 1.60           | 20 | 1.60 | Polypropylene | unfinished |
| P0001.060-025 | M 6            | 10.0           | 3.9            | 1.60           | 25 | 1.60 | Polypropylene | unfinished |
| P0001.060-030 | M 6            | 10.0           | 3.9            | 1.60           | 30 | 1.60 | Polypropylene | unfinished |
| P0001.060-040 | M 6            | 10.0           | 3.9            | 1.60           | 40 | 1.60 | Polypropylene | unfinished |
| P0001.060-045 | M 6            | 10.0           | 3.9            | 1.60           | 45 | 1.60 | Polypropylene | unfinished |
| P0001.060-050 | M 6            | 10.0           | 3.9            | 1.60           | 50 | 1.60 | Polypropylene | unfinished |
| P0001.060-055 | M 6            | 10.0           | 3.9            | 1.60           | 55 | 1.60 | Polypropylene | unfinished |
| P0001.060-060 | M 6            | 10.0           | 3.9            | 1.60           | 60 | 1.60 | Polypropylene | unfinished |
| P0001.060-065 | M 6            | 10.0           | 3.9            | 1.60           | 65 | 1.60 | Polypropylene | unfinished |
| P0001.060-070 | M 6            | 10.0           | 3.9            | 1.60           | 70 | 1.60 | Polypropylene | unfinished |
| P0001.060-075 | M 6            | 10.0           | 3.9            | 1.60           | 75 | 1.60 | Polypropylene | unfinished |
| P0001.060-080 | M 6            | 10.0           | 3.9            | 1.60           | 80 | 1.60 | Polypropylene | unfinished |
| P0001.080-020 | M 8            | 13.0           | 5.0            | 2.00           | 20 | 2.00 | Polypropylene | unfinished |
| P0001.080-025 | M 8            | 13.0           | 5.0            | 2.00           | 25 | 2.00 | Polypropylene | unfinished |
| P0001.080-030 | M 8            | 13.0           | 5.0            | 2.00           | 30 | 2.00 | Polypropylene | unfinished |
| P0001.080-035 | M 8            | 13.0           | 5.0            | 2.00           | 35 | 2.00 | Polypropylene | unfinished |
| P0001.080-040 | M 8            | 13.0           | 5.0            | 2.00           | 40 | 2.00 | Polypropylene | unfinished |
| P0001.080-050 | M 8            | 13.0           | 5.0            | 2.00           | 50 | 2.00 | Polypropylene | unfinished |
| P0001.080-060 | M 8            | 13.0           | 5.0            | 2.00           | 60 | 2.00 | Polypropylene | unfinished |
| P0001.080-065 | M 8            | 13.0           | 5.0            | 2.00           | 65 | 2.00 | Polypropylene | unfinished |
| P0001.080-070 | M 8            | 13.0           | 5.0            | 2.00           | 70 | 2.00 | Polypropylene | unfinished |
| P0001.080-075 | M 8            | 13.0           | 5.0            | 2.00           | 75 | 2.00 | Polypropylene | unfinished |
| P0001.080-080 | M 8            | 13.0           | 5.0            | 2.00           | 80 | 2.00 | Polypropylene | unfinished |
| P0001.100-020 | M10            | 16.0           | 6.0            | 2.40           | 20 | 2.50 | Polypropylene | unfinished |
| P0001.100-030 | M10            | 16.0           | 6.0            | 2.40           | 30 | 2.50 | Polypropylene | unfinished |
| P0001.100-035 | M10            | 16.0           | 6.0            | 2.40           | 35 | 2.50 | Polypropylene | unfinished |
| P0001.100-040 | M10            | 16.0           | 6.0            | 2.40           | 40 | 2.50 | Polypropylene | unfinished |
| P0001.100-045 | M10            | 16.0           | 6.0            | 2.40           | 45 | 2.50 | Polypropylene | unfinished |
| P0001.100-050 | M10            | 16.0           | 6.0            | 2.40           | 50 | 2.50 | Polypropylene | unfinished |



| Order No.     | d <sub>1</sub> | d <sub>2</sub> | h <sub>1</sub> | h <sub>2</sub> | l  | w    | Material      | Finish     |
|---------------|----------------|----------------|----------------|----------------|----|------|---------------|------------|
| P0001.100-055 | M10            | 16.0           | 6.0            | 2.40           | 55 | 2.50 | Polypropylene | unfinished |
| P0001.100-060 | M10            | 16.0           | 6.0            | 2.40           | 60 | 2.50 | Polypropylene | unfinished |