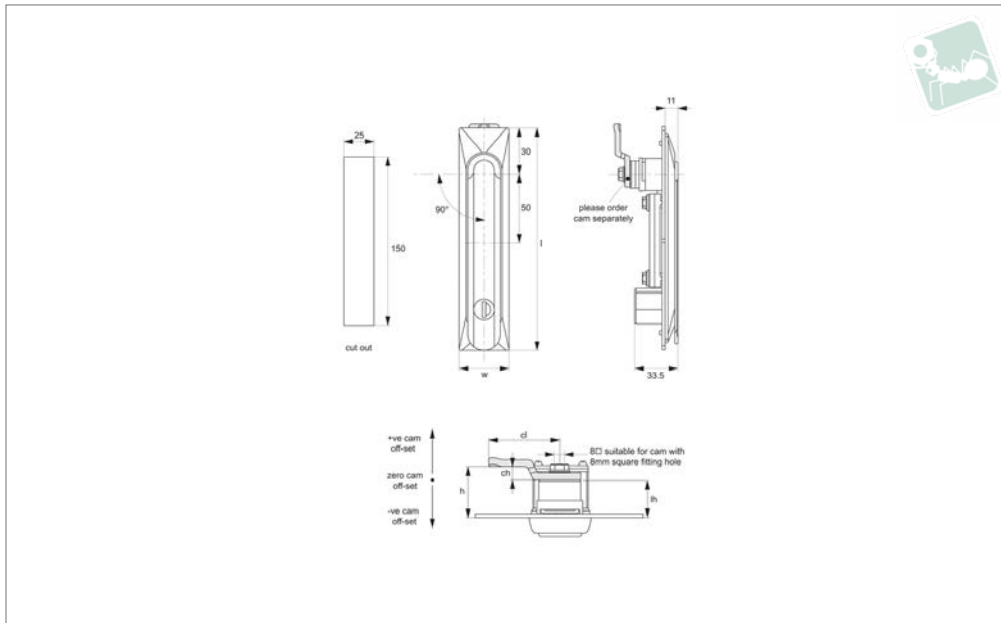




Swing Handles - Cam Control

standard cylinder lock - zinc

Swing Handles



PL0120

SWING HANDLES

Material

Body & Handle: die cast zinc, pocked black power coated.
 Polyurethane gasket: to achieve IP65 rating.
 Cylinder lock: die cast zinc, chrome plated.
Supplied with: Keys: two per lock.
Not supplied: Cam: order separately.

Technical Notes

Order cam separately.

Cams: see suitable cam CC0020, and CC0040. Select „without projection“ cam type.
 Dimensions ch and cl relate to cam. Use formula to calculate ch (required cam off-set), and refer to cam selection chart;
ch = h - lh where;
ch = required cam off-set/height.
h = grip length (distance between inside of latch face and front of cam).

lh = body length of cam latch/lock to be used (see product table below).
Rods & Guides: to achieve 3-point latching - CC0340, CC0350, CC0355.

Order No.	Finish	Lock type	Key type	l	w	lh
PL0120.M0010	Black Coated	Std. Cylinder	Keyed Alike	160	36	20