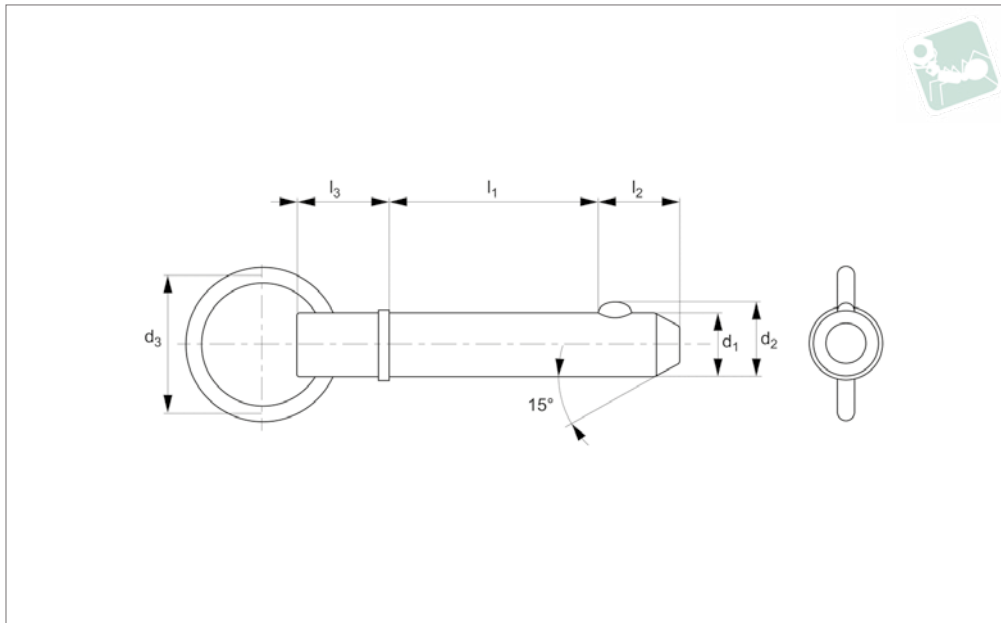




# Detent Pin - Ring Handle - Shoulder

Steel

## Pull Pins



### PP1210

PULL PINS

#### Material

Shaft: Carbon steel (C1144), zinc plated.  
Ball & spring: Stainless steel AISI 316.

#### Technical Notes

Detent pins are very economical for use in commercial and military equipment. The solid body with direct spring loaded

ball ensures reliable operation.

Can be used for locking telescopic tubing, securing bracket assemblies, as anchor clevis fittings, hinge pins and as replacement for cotter pins where frequent removal is necessary.

Hole sizes - commercial drills provide clear-

ance for our standard pins.

Inch dimensions in brackets ( ).

#### Tips

Also available in stainless steel see part no. P.

Order No.	d <sub>1</sub> +0.00 -0.08	l <sub>1</sub> grip +1.50 -0.00	d <sub>2</sub>	d <sub>3</sub>	l <sub>2</sub>	l <sub>3</sub>	Pull out strength kg	Single shear strength kN min.
PP1210.018-030-C	4,76 (3/16")	7,62 (0,3")	5.18	25.4	5.08	17.45	1, 9 - 2, 3	10.8
PP1210.018-050-C	4,76 (3/16")	12,7 (0,5")	5.18	25.4	5.08	17.45	1, 9 - 2, 3	10.8
PP1210.018-100-C	4,76 (3/16")	25,4 (1")	5.18	25.4	5.08	17.45	1, 9 - 2, 3	10.8
PP1210.018-150-C	4,76 (3/16")	38,1 (1,5")	5.18	25.4	5.08	17.45	1, 9 - 2, 3	10.8
PP1210.018-200-C	4,76 (3/16")	50,8 (2")	5.18	25.4	5.08	17.45	1, 9 - 2, 3	10.8
PP1210.018-250-C	4,76 (3/16")	63,5 (2,5")	5.18	25.4	5.08	17.45	1, 9 - 2, 3	10.8
PP1210.018-300-C	4,76 (3/16")	76,2 (3")	5.18	25.4	5.08	17.45	1, 9 - 2, 3	10.8
PP1210.018-350-C	4,76 (3/16")	88,9 (3,5")	5.18	25.4	5.08	17.45	1, 9 - 2, 3	10.8
PP1210.018-400-C	4,76 (3/16")	101,6 (4")	5.18	25.4	5.08	17.45	1, 9 - 2, 3	10.8
PP1210.025-050-C	6,35 (1/4")	12,7 (0,5")	7.26	31.75	7.92	18.29	2,27 - 2,73	19.3
PP1210.025-060-C	6,35 (1/4")	15,24 (0,6")	7.26	31.75	7.92	18.29	2,27 - 2,73	19.3
PP1210.025-100-C	6,35 (1/4")	25,4 (1")	7.26	31.75	7.92	18.29	2,27 - 2,73	19.3
PP1210.025-150-C	6,35 (1/4")	38,1 (1,5")	7.26	31.75	7.92	18.29	2,27 - 2,73	19.3
PP1210.025-200-C	6,35 (1/4")	50,8 (2")	7.26	31.75	7.92	18.29	2,27 - 2,73	19.3
PP1210.025-250-C	6,35 (1/4")	63,5 (2,5")	7.26	31.75	7.92	18.29	2,27 - 2,73	19.3
PP1210.025-300-C	6,35 (1/4")	76,2 (3")	7.26	31.75	7.92	18.29	2,27 - 2,73	19.3
PP1210.025-350-C	6,35 (1/4")	88,9 (3,5")	7.26	31.75	7.92	18.29	2,27 - 2,73	19.3
PP1210.025-400-C	6,35 (1/4")	101,6 (4")	7.26	31.75	7.92	18.29	2,27 - 2,73	19.3
PP1210.031-050-C	7,94 (5/16")	12,7 (0,5")	9.09	31.75	9.53	19.05	2,27 - 2,73	30.0
PP1210.031-100-C	7,94 (5/16")	25,4 (1")	9.09	31.75	9.53	19.05	2,27 - 2,73	30.0
PP1210.031-150-C	7,94 (5/16")	38,1 (1,5")	9.09	31.75	9.53	19.05	2,27 - 2,73	30.0
PP1210.031-200-C	7,94 (5/16")	50,8 (2")	9.09	31.75	9.53	19.05	2,27 - 2,73	30.0
PP1210.031-250-C	7,94 (5/16")	63,5 (2,5")	9.09	31.75	9.53	19.05	2,27 - 2,73	30.0
PP1210.031-300-C	7,94 (5/16")	76,2 (3")	9.09	31.75	9.53	19.05	2,27 - 2,73	30.0
PP1210.031-350-C	7,94 (5/16")	88,9 (3,5")	9.09	31.75	9.53	19.05	2,27 - 2,73	30.0
PP1210.031-400-C	7,94 (5/16")	101,6 (4")	9.09	31.75	9.53	19.05	2,27 - 2,73	30.0
PP1210.031-450-C	7,94 (5/16")	114,3 (4,5")	9.09	31.75	9.53	19.05	2,27 - 2,73	30.0
PP1210.031-500-C	7,94 (5/16")	127 (5")	9.09	31.75	9.53	19.05	2,27 - 2,73	30.0
PP1210.037-050-C	9,53 (3,8")	12,7 (0,5")	10.82	44.45	12.7	19.05	3,63 - 4,54	43.3



Order No.	d <sub>1</sub> +0.00 -0.08	l <sub>1</sub> grip +1.50 -0.00	d <sub>2</sub>	d <sub>3</sub>	l <sub>2</sub>	l <sub>3</sub>	Pull out strength kg	Single shear strength kN min.
PP1210.037-060-C	9,53 (3,8")	15,24 (0,6")	10.82	44.45	12.7	19.05	3,63 - 4,54	43.3
PP1210.037-100-C	9,53 (3,8")	25,4 (1")	10.82	44.45	12.7	19.05	3,63 - 4,54	43.3
PP1210.037-150-C	9,53 (3,8")	38,1 (1,5")	10.82	44.45	12.7	19.05	3,63 - 4,54	43.3
PP1210.037-180-C	9,53 (3,8")	45,72 (1,8")	10.82	44.45	12.7	19.05	3,63 - 4,54	43.3
PP1210.037-200-C	9,53 (3,8")	50,8 (2")	10.82	44.45	12.7	19.05	3,63 - 4,54	43.3
PP1210.037-250-C	9,53 (3,8")	63,5 (2,5")	10.82	44.45	12.7	19.05	3,63 - 4,54	43.3
PP1210.037-300-C	9,53 (3,8")	76,2 (3")	10.82	44.45	12.7	19.05	3,63 - 4,54	43.3
PP1210.037-350-C	9,53 (3,8")	88,9 (3,5")	10.82	44.45	12.7	19.05	3,63 - 4,54	43.3
PP1210.037-400-C	9,53 (3,8")	101,6 (4")	10.82	44.45	12.7	19.05	3,63 - 4,54	43.3
PP1210.037-450-C	9,53 (3,8")	114,3 (4,5")	10.82	44.45	12.7	19.05	3,63 - 4,54	43.3
PP1210.037-500-C	9,53 (3,8")	127 (5")	10.82	44.45	12.7	19.05	3,63 - 4,54	43.3
PP1210.037-550-C	9,53 (3,8")	139,7 (5,5")	10.82	44.45	12.7	19.05	3,63 - 4,54	43.3
PP1210.037-600-C	9,53 (3,8")	152,4 (6")	10.82	44.45	12.7	19.05	3,63 - 4,54	43.3
PP1210.043-050-C	11,11(7,16")	12,7 (0,5")	12.6	44.45	14.27	24.13	4,09 - 5,45	58.9
PP1210.043-100-C	11,11(7,16")	25,4 (1")	12.6	44.45	14.27	24.13	4,09 - 5,45	58.9
PP1210.043-150-C	11,11(7,16")	38,1 (1,5")	12.6	44.45	14.27	24.13	4,09 - 5,45	58.9
PP1210.043-200-C	11,11(7,16")	50,8 (2")	12.6	44.45	14.27	24.13	4,09 - 5,45	58.9
PP1210.043-250-C	11,11(7,16")	63,5 (2,5")	12.6	44.45	14.27	24.13	4,09 - 5,45	58.9
PP1210.043-300-C	11,11(7,16")	76,2 (3")	12.6	44.45	14.27	24.13	4,09 - 5,45	58.9
PP1210.043-350-C	11,11(7,16")	88,9 (3,5")	12.6	44.45	14.27	24.13	4,09 - 5,45	58.9
PP1210.043-400-C	11,11(7,16")	101,6 (4")	12.6	44.45	14.27	24.13	4,09 - 5,45	58.9
PP1210.043-450-C	11,11(7,16")	114,3 (4,5")	12.6	44.45	14.27	24.13	4,09 - 5,45	58.9
PP1210.043-500-C	11,11(7,16")	127 (5")	12.6	44.45	14.27	24.13	4,09 - 5,45	58.9
PP1210.043-550-C	11,11(7,16")	139,7 (5,5")	12.6	44.45	14.27	24.13	4,09 - 5,45	58.9
PP1210.043-600-C	11,11(7,16")	152,4 (6")	12.6	44.45	14.27	24.13	4,09 - 5,45	58.9
PP1210.050-050-C	12,7 (1/2")	12,7 (0,5")	14.48	50.8	15.88	25.7	4,54 - 5,45	77.0
PP1210.050-100-C	12,7 (1/2")	25,4 (1")	14.48	50.8	15.88	25.7	4,54 - 5,45	77.0
PP1210.050-130-C	12,7 (1/2")	33,02 (1,3")	14.48	50.8	15.88	25.7	4,54 - 5,45	77.0
PP1210.050-150-C	12,7 (1/2")	38,1 (1,5")	14.48	50.8	15.88	25.7	4,54 - 5,45	77.0
PP1210.050-200-C	12,7 (1/2")	50,8 (2")	14.48	50.8	15.88	25.7	4,54 - 5,45	77.0
PP1210.050-250-C	12,7 (1/2")	63,5 (2,5")	14.48	50.8	15.88	25.7	4,54 - 5,45	77.0
PP1210.050-350-C	12,7 (1/2")	88,9 (3,5")	14.48	50.8	15.88	25.7	4,54 - 5,45	77.0
PP1210.050-400-C	12,7 (1/2")	101,6 (4")	14.48	50.8	15.88	25.7	4,54 - 5,45	77.0
PP1210.050-450-C	12,7 (1/2")	114,3 (4,5")	14.48	50.8	15.88	25.7	4,54 - 5,45	77.0
PP1210.050-500-C	12,7 (1/2")	127 (5")	14.48	50.8	15.88	25.7	4,54 - 5,45	77.0
PP1210.050-550-C	12,7 (1/2")	139,7 (5,5")	14.48	50.8	15.88	25.7	4,54 - 5,45	77.0
PP1210.050-600-C	12,7 (1/2")	152,4 (6")	14.48	50.8	15.88	25.7	4,54 - 5,45	77.0
PP1210.050-650-C	12,7 (1/2")	165,1 (6,5")	14.48	50.8	15.88	25.7	4,54 - 5,45	77.0
PP1210.050-700-C	12,7 (1/2")	177,8 (7")	14.48	50.8	15.88	25.7	4,54 - 5,45	77.0
PP1210.056-100-C	14,29 (9/16")	25,4 (1")	16.31	50.8	17.45	25.7	5,45 - 6,81	97.6
PP1210.056-150-C	14,29 (9/16")	38,1 (1,5")	16.31	50.8	17.45	25.7	5,45 - 6,81	97.6
PP1210.056-200-C	14,29 (9/16")	50,8 (2")	16.31	50.8	17.45	25.7	5,45 - 6,81	97.6
PP1210.056-250-C	14,29 (9/16")	63,5 (2,5")	16.31	50.8	17.45	25.7	5,45 - 6,81	97.6
PP1210.056-300-C	14,29 (9/16")	76,2 (3")	16.31	50.8	17.45	25.7	5,45 - 6,81	97.6
PP1210.056-350-C	14,29 (9/16")	88,9 (3,5")	16.31	50.8	17.45	25.7	5,45 - 6,81	97.6
PP1210.056-400-C	14,29 (9/16")	101,6 (4")	16.31	50.8	17.45	25.7	5,45 - 6,81	97.6
PP1210.056-450-C	14,29 (9/16")	114,3 (4,5")	16.31	50.8	17.45	25.7	5,45 - 6,81	97.6
PP1210.056-500-C	14,29 (9/16")	127 (5")	16.31	50.8	17.45	25.7	5,45 - 6,81	97.6
PP1210.056-550-C	14,29 (9/16")	139,7 (5,5")	16.31	50.8	17.45	25.7	5,45 - 6,81	97.6
PP1210.056-600-C	14,29 (9/16")	152,4 (6")	16.31	50.8	17.45	25.7	5,45 - 6,81	97.6
PP1210.056-700-C	14,29 (9/16")	177,8 (7")	16.31	50.8	17.45	25.7	5,45 - 6,81	97.6
PP1210.062-100-C	15,88 (5/8")	25,4 (1")	18.03	57.15	19.05	27.31	6,36 - 7,26	121.6
PP1210.062-150-C	15,88 (5/8")	38,1 (1,5")	18.03	57.15	19.05	27.31	6,36 - 7,26	121.6
PP1210.062-200-C	15,88 (5/8")	50,8 (2")	18.03	57.15	19.05	27.31	6,36 - 7,26	121.6
PP1210.062-250-C	15,88 (5/8")	63,5 (2,5")	18.03	57.15	19.05	27.31	6,36 - 7,26	121.6
PP1210.062-300-C	15,88 (5/8")	76,2 (3")	18.03	57.15	19.05	27.31	6,36 - 7,26	121.6
PP1210.062-350-C	15,88 (5/8")	88,9 (3,5")	18.03	57.15	19.05	27.31	6,36 - 7,26	121.6
PP1210.062-400-C	15,88 (5/8")	101,6 (4")	18.03	57.15	19.05	27.31	6,36 - 7,26	121.6
PP1210.062-450-C	15,88 (5/8")	114,3 (4,5")	18.03	57.15	19.05	27.31	6,36 - 7,26	121.6
PP1210.062-500-C	15,88 (5/8")	127 (5")	18.03	57.15	19.05	27.31	6,36 - 7,26	121.6
PP1210.062-550-C	15,88 (5/8")	139,7 (5,5")	18.03	57.15	19.05	27.31	6,36 - 7,26	121.6
PP1210.062-600-C	15,88 (5/8")	152,4 (6")	18.03	57.15	19.05	27.31	6,36 - 7,26	121.6
PP1210.062-700-C	15,88 (5/8")	177,8 (7")	18.03	57.15	19.05	27.31	6,36 - 7,26	121.6
PP1210.062-800-C	15,88 (5/8")	203,2 (8")	18.03	57.15	19.05	27.31	6,36 - 7,26	121.6
PP1210.075-100-C	19,05 (3/4")	25,4 (1")	21.74	57.15	23.8	34.93	8,17 - 9,98	173.6
PP1210.075-150-C	19,05 (3/4")	38,1 (1,5")	21.74	57.15	23.8	34.93	8,17 - 9,98	173.6
PP1210.075-200-C	19,05 (3/4")	50,8 (2")	21.74	57.15	23.8	34.93	8,17 - 9,98	173.6



# Detent Pin - Ring Handle - Shoulder Steel

## Pull Pins

Order No.	d <sub>1</sub> +0.00 -0.08	l <sub>1</sub> grip +1.50 -0.00	d <sub>2</sub>	d <sub>3</sub>	l <sub>2</sub>	l <sub>3</sub>	Pull out strength kg	Single shear strength kN min.
PP1210.075-250-C	19,05 (3/4")	63,5 (2,5")	21.74	57.15	23.8	34.93	8,17 - 9,98	173.6
PP1210.075-300-C	19,05 (3/4")	76,2 (3")	21.74	57.15	23.8	34.93	8,17 - 9,98	173.6
PP1210.075-350-C	19,05 (3/4")	88,9 (3,5")	21.74	57.15	23.8	34.93	8,17 - 9,98	173.6
PP1210.075-400-C	19,05 (3/4")	101,6 (4")	21.74	57.15	23.8	34.93	8,17 - 9,98	173.6
PP1210.075-450-C	19,05 (3/4")	114,3 (4,5")	21.74	57.15	23.8	34.93	8,17 - 9,98	173.6
PP1210.075-500-C	19,05 (3/4")	127 (5")	21.74	57.15	23.8	34.93	8,17 - 9,98	173.6
PP1210.075-550-C	19,05 (3/4")	139,7 (5,5")	21.74	57.15	23.8	34.93	8,17 - 9,98	173.6
PP1210.075-600-C	19,05 (3/4")	152,4 (6")	21.74	57.15	23.8	34.93	8,17 - 9,98	173.6
PP1210.075-700-C	19,05 (3/4")	177,8 (7")	21.74	57.15	23.8	34.93	8,17 - 9,98	173.6
PP1210.075-800-C	19,05 (3/4")	203,2 (8")	21.74	57.15	23.8	34.93	8,17 - 9,98	173.6
PP1210.088-100-C	22,23 (7/8")	25,4 (1")	25.3	63.5	25.4	38.1	12,71 - 14,07	239.4
PP1210.088-150-C	22,23 (7/8")	38,1 (1,5")	25.3	63.5	25.4	38.1	12,71 - 14,07	239.4
PP1210.088-200-C	22,23 (7/8")	50,8 (2")	25.3	63.5	25.4	38.1	12,71 - 14,07	239.4
PP1210.088-250-C	22,23 (7/8")	63,5 (2,5")	25.3	63.5	25.4	38.1	12,71 - 14,07	239.4
PP1210.088-300-C	22,23 (7/8")	76,2 (3")	25.3	63.5	25.4	38.1	12,71 - 14,07	239.4
PP1210.088-350-C	22,23 (7/8")	88,9 (3,5")	25.3	63.5	25.4	38.1	12,71 - 14,07	239.4
PP1210.088-400-C	22,23 (7/8")	101,6 (4")	25.3	63.5	25.4	38.1	12,71 - 14,07	239.4
PP1210.088-450-C	22,23 (7/8")	114,3 (4,5")	25.3	63.5	25.4	38.1	12,71 - 14,07	239.4
PP1210.088-500-C	22,23 (7/8")	127 (5")	25.3	63.5	25.4	38.1	12,71 - 14,07	239.4
PP1210.088-550-C	22,23 (7/8")	139,7 (5,5")	25.3	63.5	25.4	38.1	12,71 - 14,07	239.4
PP1210.088-600-C	22,23 (7/8")	152,4 (6")	25.3	63.5	25.4	38.1	12,71 - 14,07	239.4
PP1210.088-650-C	22,23 (7/8")	165,1 (6,5")	25.3	63.5	25.4	38.1	12,71 - 14,07	239.4
PP1210.088-700-C	22,23 (7/8")	177,8 (7")	25.3	63.5	25.4	38.1	12,71 - 14,07	239.4
PP1210.088-800-C	22,23 (7/8")	203,2 (8")	25.3	63.5	25.4	38.1	12,71 - 14,07	239.4
PP1210.100-100-C	25,4 (1")	25,4 (1")	28.96	39	31.75	38.1	15,88 - 18,15	312.3
PP1210.100-150-C	25,4 (1")	38,1 (1,5")	28.96	39	31.75	38.1	15,88 - 18,15	312.3
PP1210.100-200-C	25,4 (1")	50,8 (2")	28.96	39	31.75	38.1	15,88 - 18,15	312.3
PP1210.100-250-C	25,4 (1")	63,5 (2,5")	28.96	39	31.75	38.1	15,88 - 18,15	312.3
PP1210.100-300-C	25,4 (1")	76,2 (3")	28.96	39	31.75	38.1	15,88 - 18,15	312.3
PP1210.100-350-C	25,4 (1")	88,9 (3,5")	28.96	39	31.75	38.1	15,88 - 18,15	312.3
PP1210.100-400-C	25,4 (1")	101,6 (4")	28.96	39	31.75	38.1	15,88 - 18,15	312.3
PP1210.100-450-C	25,4 (1")	114,3 (4,5")	28.96	39	31.75	38.1	15,88 - 18,15	312.3
PP1210.100-500-C	25,4 (1")	127 (5")	28.96	39	31.75	38.1	15,88 - 18,15	312.3
PP1210.100-550-C	25,4 (1")	139,7 (5,5")	28.96	39	31.75	38.1	15,88 - 18,15	312.3
PP1210.100-600-C	25,4 (1")	152,4 (6")	28.96	39	31.75	38.1	15,88 - 18,15	312.3
PP1210.100-700-C	25,4 (1")	177,8 (7")	28.96	39	31.75	38.1	15,88 - 18,15	312.3
PP1210.100-800-C	25,4 (1")	203,2 (8")	28.96	39	31.75	38.1	15,88 - 18,15	312.3

PULL PINS