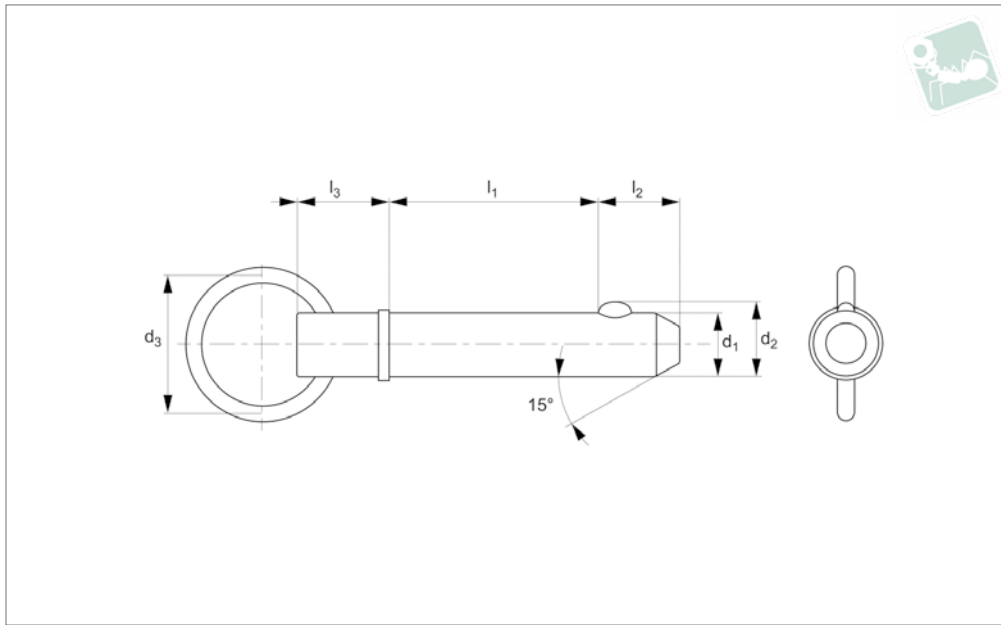




Detent Pin - Ring Handle - Shoulder

stainless steel

Pull Pins



PP1212

PULL PINS

Material

Shaft: Stainless steel, AISI 303.

Ball & Spring: Stainless steel, AISI 316.

Technical Notes

Detent pins are very economical for use in commercial and military equipment.

The solid body with direct spring loaded ball ensures reliable operation.

For locking telescopic tubing, securing bracket assemblies, as anchor clevis fittings, hinge pins etc where frequent removal is necessary.

Hole sizes - commercial drills provide clearance for our standard pins.

Inch dimensions in brackets ().

Tips

Also available on request in A4 (AISI 316) stainless steel, subject to min. quantity.

Order No.	d ₁ +0.00 -0.08	l ₁ grip +1.50 -0.00	d ₂	d ₃	l ₂	l ₃	Pull out strength kg	Single shear strength kN min.
PP1212.018-030-S	4,76 (3/16")	7,62 (0,3")	5.18	25.4	5.08	17.45	1, 9 - 2, 3	12.2
PP1212.018-050-S	4,76 (3/16")	12,7 (0,5")	5.18	25.4	5.08	17.45	1, 9 - 2, 3	12.2
PP1212.018-100-S	4,76 (3/16")	25,4 (1")	5.18	25.4	5.08	17.45	1, 9 - 2, 3	12.2
PP1212.018-150-S	4,76 (3/16")	38,1 (1,5")	5.18	25.4	5.08	17.45	1, 9 - 2, 3	12.2
PP1212.018-200-S	4,76 (3/16")	50,8 (2")	5.18	25.4	5.08	17.45	1, 9 - 2, 3	12.2
PP1212.018-250-S	4,76 (3/16")	63,5 (2,5")	5.18	25.4	5.08	17.45	1, 9 - 2, 3	12.2
PP1212.018-300-S	4,76 (3/16")	76,2 (3")	5.18	25.4	5.08	17.45	1, 9 - 2, 3	12.2
PP1212.018-350-S	4,76 (3/16")	88,9 (3,5")	5.18	25.4	5.08	17.45	1, 9 - 2, 3	12.2
PP1212.018-400-S	4,76 (3/16")	101,6 (4")	5.18	25.4	5.08	17.45	1, 9 - 2, 3	12.2
PP1212.025-050-S	6,35 (1/4")	12,7 (0,5")	7.26	25.4	7.92	18.29	2,27 - 2,73	21.7
PP1212.025-060-S	6,35 (1/4")	15,24 (0,6")	7.26	25.4	7.92	18.29	2,27 - 2,73	21.7
PP1212.025-100-S	6,35 (1/4")	25,4 (1")	7.26	25.4	7.92	18.29	2,27 - 2,73	21.7
PP1212.025-150-S	6,35 (1/4")	38,1 (1,5")	7.26	25.4	7.92	18.29	2,27 - 2,73	21.7
PP1212.025-200-S	6,35 (1/4")	50,8 (2")	7.26	25.4	7.92	18.29	2,27 - 2,73	21.7
PP1212.025-250-S	6,35 (1/4")	63,5 (2,5")	7.26	25.4	7.92	18.29	2,27 - 2,73	21.7
PP1212.025-300-S	6,35 (1/4")	76,2 (3")	7.26	25.4	7.92	18.29	2,27 - 2,73	21.7
PP1212.025-350-S	6,35 (1/4")	88,9 (3,5")	7.26	25.4	7.92	18.29	2,27 - 2,73	21.7
PP1212.025-400-S	6,35 (1/4")	101,6 (4")	7.26	25.4	7.92	18.29	2,27 - 2,73	21.7
PP1212.031-050-S	7,94 (5/16")	12,7 (0,5")	9.09	25.4	9.53	19.05	2,27 - 2,73	33.8
PP1212.031-100-S	7,94 (5/16")	25,4 (1")	9.09	25.4	9.53	19.05	2,27 - 2,73	33.8
PP1212.031-150-S	7,94 (5/16")	38,1 (1,5")	9.09	25.4	9.53	19.05	2,27 - 2,73	33.8
PP1212.031-200-S	7,94 (5/16")	50,8 (2")	9.09	25.4	9.53	19.05	2,27 - 2,73	33.8
PP1212.031-250-S	7,94 (5/16")	63,5 (2,5")	9.09	25.4	9.53	19.05	2,27 - 2,73	33.8
PP1212.031-300-S	7,94 (5/16")	76,2 (3")	9.09	25.4	9.53	19.05	2,27 - 2,73	33.8
PP1212.031-350-S	7,94 (5/16")	88,9 (3,5")	9.09	25.4	9.53	19.05	2,27 - 2,73	33.8
PP1212.031-400-S	7,94 (5/16")	101,6 (4")	9.09	25.4	9.53	19.05	2,27 - 2,73	33.8
PP1212.031-450-S	7,94 (5/16")	114,3 (4,5")	9.09	25.4	9.53	19.05	2,27 - 2,73	33.8
PP1212.031-500-S	7,94 (5/16")	127 (5")	9.09	25.4	9.53	19.05	2,27 - 2,73	33.8
PP1212.037-050-S	9,53 (3,8")	12,7 (0,5")	10.82	25.4	12.7	19.05	3,63 - 4,54	49.1
PP1212.037-060-S	9,53 (3,8")	15,24 (0,6")	10.82	25.4	12.7	19.05	3,63 - 4,54	49.1



Order No.	d ₁ +0.00 -0.08	l ₁ grip +1.50 -0.00	d ₂	d ₃	l ₂	l ₃	Pull out strength kg	Single shear strength kN min.
PP1212.037-100-S	9,53 (3,8")	25,4 (1")	10.82	25.4	12.7	19.05	3,63 - 4,54	49.1
PP1212.037-150-S	9,53 (3,8")	38,1 (1,5")	10.82	25.4	12.7	19.05	3,63 - 4,54	49.1
PP1212.037-180-S	9,53 (3,8")	45,72 (1,8")	10.82	25.4	12.7	19.05	3,63 - 4,54	49.1
PP1212.037-200-S	9,53 (3,8")	50,8 (2")	10.82	25.4	12.7	19.05	3,63 - 4,54	49.1
PP1212.037-250-S	9,53 (3,8")	63,5 (2,5")	10.82	25.4	12.7	19.05	3,63 - 4,54	49.1
PP1212.037-300-S	9,53 (3,8")	76,2 (3")	10.82	25.4	12.7	19.05	3,63 - 4,54	49.1
PP1212.037-350-S	9,53 (3,8")	88,9 (3,5")	10.82	25.4	12.7	19.05	3,63 - 4,54	49.1
PP1212.037-400-S	9,53 (3,8")	101,6 (4")	10.82	25.4	12.7	19.05	3,63 - 4,54	49.1
PP1212.037-450-S	9,53 (3,8")	114,3 (4,5")	10.82	25.4	12.7	19.05	3,63 - 4,54	49.1
PP1212.037-500-S	9,53 (3,8")	127 (5")	10.82	25.4	12.7	19.05	3,63 - 4,54	49.1
PP1212.037-550-S	9,53 (3,8")	139,7 (5,5")	10.82	25.4	12.7	19.05	3,63 - 4,54	49.1
PP1212.037-600-S	9,53 (3,8")	152,4 (6")	10.82	25.4	12.7	19.05	3,63 - 4,54	49.1
PP1212.043-050-S	11,11(7,16")	12,7 (0,5")	12.6	25.4	14.27	24.13	4,09 - 5,45	66.5
PP1212.043-100-S	11,11(7,16")	25,4 (1")	12.6	25.4	14.27	24.13	4,09 - 5,45	66.5
PP1212.043-150-S	11,11(7,16")	38,1 (1,5")	12.6	25.4	14.27	24.13	4,09 - 5,45	66.5
PP1212.043-200-S	11,11(7,16")	50,8 (2")	12.6	25.4	14.27	24.13	4,09 - 5,45	66.5
PP1212.043-250-S	11,11(7,16")	63,5 (2,5")	12.6	25.4	14.27	24.13	4,09 - 5,45	66.5
PP1212.043-300-S	11,11(7,16")	76,2 (3")	12.6	25.4	14.27	24.13	4,09 - 5,45	66.5
PP1212.043-350-S	11,11(7,16")	88,9 (3,5")	12.6	25.4	14.27	24.13	4,09 - 5,45	66.5
PP1212.043-400-S	11,11(7,16")	101,6 (4")	12.6	25.4	14.27	24.13	4,09 - 5,45	66.5
PP1212.043-450-S	11,11(7,16")	114,3 (4,5")	12.6	25.4	14.27	24.13	4,09 - 5,45	66.5
PP1212.043-500-S	11,11(7,16")	127 (5")	12.6	25.4	14.27	24.13	4,09 - 5,45	66.5
PP1212.043-550-S	11,11(7,16")	139,7 (5,5")	12.6	25.4	14.27	24.13	4,09 - 5,45	66.5
PP1212.043-600-S	11,11(7,16")	152,4 (6")	12.6	25.4	14.27	24.13	4,09 - 5,45	66.5
PP1212.050-050-S	12,7 (1/2")	12,7 (0,5")	14.48	31.75	15.88	25.7	4,54 - 5,45	87.1
PP1212.050-100-S	12,7 (1/2")	25,4 (1")	14.48	31.75	15.88	25.7	4,54 - 5,45	87.1
PP1212.050-130-S	12,7 (1/2")	33,02 (1,3")	14.48	31.75	15.88	25.7	4,54 - 5,45	87.1
PP1212.050-150-S	12,7 (1/2")	38,1 (1,5")	14.48	31.75	15.88	25.7	4,54 - 5,45	87.1
PP1212.050-200-S	12,7 (1/2")	50,8 (2")	14.48	31.75	15.88	25.7	4,54 - 5,45	87.1
PP1212.050-250-S	12,7 (1/2")	63,5 (2,5")	14.48	31.75	15.88	25.7	4,54 - 5,45	87.1
PP1212.050-350-S	12,7 (1/2")	88,9 (3,5")	14.48	31.75	15.88	25.7	4,54 - 5,45	87.1
PP1212.050-400-S	12,7 (1/2")	101,6 (4")	14.48	31.75	15.88	25.7	4,54 - 5,45	87.1
PP1212.050-450-S	12,7 (1/2")	114,3 (4,5")	14.48	31.75	15.88	25.7	4,54 - 5,45	87.1
PP1212.050-500-S	12,7 (1/2")	127 (5")	14.48	31.75	15.88	25.7	4,54 - 5,45	87.1
PP1212.050-550-S	12,7 (1/2")	139,7 (5,5")	14.48	31.75	15.88	25.7	4,54 - 5,45	87.1
PP1212.050-600-S	12,7 (1/2")	152,4 (6")	14.48	31.75	15.88	25.7	4,54 - 5,45	87.1
PP1212.050-650-S	12,7 (1/2")	165,1 (6,5")	14.48	31.75	15.88	25.7	4,54 - 5,45	87.1
PP1212.050-700-S	12,7 (1/2")	177,8 (7")	14.48	31.75	15.88	25.7	4,54 - 5,45	87.1
PP1212.056-100-S	14,29 (9/16")	25,4 (1")	16.31	31.75	17.45	25.7	5,45 - 6,81	110.3
PP1212.056-150-S	14,29 (9/16")	38,1 (1,5")	16.31	31.75	17.45	25.7	5,45 - 6,81	110.3
PP1212.056-200-S	14,29 (9/16")	50,8 (2")	16.31	31.75	17.45	25.7	5,45 - 6,81	110.3
PP1212.056-250-S	14,29 (9/16")	63,5 (2,5")	16.31	31.75	17.45	25.7	5,45 - 6,81	110.3
PP1212.056-300-S	14,29 (9/16")	76,2 (3")	16.31	31.75	17.45	25.7	5,45 - 6,81	110.3
PP1212.056-350-S	14,29 (9/16")	88,9 (3,5")	16.31	31.75	17.45	25.7	5,45 - 6,81	110.3
PP1212.056-400-S	14,29 (9/16")	101,6 (4")	16.31	31.75	17.45	25.7	5,45 - 6,81	110.3
PP1212.056-450-S	14,29 (9/16")	114,3 (4,5")	16.31	31.75	17.45	25.7	5,45 - 6,81	110.3
PP1212.056-500-S	14,29 (9/16")	127 (5")	16.31	31.75	17.45	25.7	5,45 - 6,81	110.3
PP1212.056-550-S	14,29 (9/16")	139,7 (5,5")	16.31	31.75	17.45	25.7	5,45 - 6,81	110.3
PP1212.056-600-S	14,29 (9/16")	152,4 (6")	16.31	31.75	17.45	25.7	5,45 - 6,81	110.3
PP1212.056-700-S	14,29 (9/16")	177,8 (7")	16.31	31.75	17.45	25.7	5,45 - 6,81	110.3
PP1212.062-100-S	15,88 (5/8")	25,4 (1")	18.03	31.75	19.05	27.31	6,36 - 7,26	137.3
PP1212.062-150-S	15,88 (5/8")	38,1 (1,5")	18.03	31.75	19.05	27.31	6,36 - 7,26	137.3
PP1212.062-200-S	15,88 (5/8")	50,8 (2")	18.03	31.75	19.05	27.31	6,36 - 7,26	137.3
PP1212.062-250-S	15,88 (5/8")	63,5 (2,5")	18.03	31.75	19.05	27.31	6,36 - 7,26	137.3
PP1212.062-300-S	15,88 (5/8")	76,2 (3")	18.03	31.75	19.05	27.31	6,36 - 7,26	137.3
PP1212.062-350-S	15,88 (5/8")	88,9 (3,5")	18.03	31.75	19.05	27.31	6,36 - 7,26	137.3
PP1212.062-400-S	15,88 (5/8")	101,6 (4")	18.03	31.75	19.05	27.31	6,36 - 7,26	137.3
PP1212.062-450-S	15,88 (5/8")	114,3 (4,5")	18.03	31.75	19.05	27.31	6,36 - 7,26	137.3
PP1212.062-500-S	15,88 (5/8")	127 (5")	18.03	31.75	19.05	27.31	6,36 - 7,26	137.3
PP1212.062-550-S	15,88 (5/8")	139,7 (5,5")	18.03	31.75	19.05	27.31	6,36 - 7,26	137.3
PP1212.062-600-S	15,88 (5/8")	152,4 (6")	18.03	31.75	19.05	27.31	6,36 - 7,26	137.3
PP1212.062-700-S	15,88 (5/8")	177,8 (7")	18.03	31.75	19.05	27.31	6,36 - 7,26	137.3
PP1212.062-800-S	15,88 (5/8")	203,2 (8")	18.03	31.75	19.05	27.31	6,36 - 7,26	137.3
PP1212.075-100-S	19,05 (3/4")	25,4 (1")	21.74	38.1	23.8	34.93	8,17 - 9,98	195.9
PP1212.075-150-S	19,05 (3/4")	38,1 (1,5")	21.74	38.1	23.8	34.93	8,17 - 9,98	195.9
PP1212.075-200-S	19,05 (3/4")	50,8 (2")	21.74	38.1	23.8	34.93	8,17 - 9,98	195.9
PP1212.075-250-S	19,05 (3/4")	63,5 (2,5")	21.74	38.1	23.8	34.93	8,17 - 9,98	195.9



Detent Pin - Ring Handle - Shoulder stainless steel

Pull Pins

Order No.	d ₁ +0.00 -0.08	l ₁ grip +1.50 -0.00	d ₂	d ₃	l ₂	l ₃	Pull out strength kg	Single shear strength kN min.
PP1212.075-300-S	19,05 (3/4")	76,2 (3")	21.74	38.1	23.8	34.93	8,17 - 9,98	195.9
PP1212.075-350-S	19,05 (3/4")	88,9 (3,5")	21.74	38.1	23.8	34.93	8,17 - 9,98	195.9
PP1212.075-400-S	19,05 (3/4")	101,6 (4")	21.74	38.1	23.8	34.93	8,17 - 9,98	195.9
PP1212.075-450-S	19,05 (3/4")	114,3 (4,5")	21.74	38.1	23.8	34.93	8,17 - 9,98	195.9
PP1212.075-500-S	19,05 (3/4")	127 (5")	21.74	38.1	23.8	34.93	8,17 - 9,98	195.9
PP1212.075-550-S	19,05 (3/4")	139,7 (5,5")	21.74	38.1	23.8	34.93	8,17 - 9,98	195.9
PP1212.075-600-S	19,05 (3/4")	152,4 (6")	21.74	38.1	23.8	34.93	8,17 - 9,98	195.9
PP1212.075-700-S	19,05 (3/4")	177,8 (7")	21.74	38.1	23.8	34.93	8,17 - 9,98	195.9
PP1212.075-800-S	19,05 (3/4")	203,2 (8")	21.74	38.1	23.8	34.93	8,17 - 9,98	195.9
PP1212.088-100-S	22,23 (7/8")	25,4 (1")	25.3	38.1	25.4	38.1	12,71 - 14,07	262.4
PP1212.088-150-S	22,23 (7/8")	38,1 (1,5")	25.3	38.1	25.4	38.1	12,71 - 14,07	262.4
PP1212.088-200-S	22,23 (7/8")	50,8 (2")	25.3	38.1	25.4	38.1	12,71 - 14,07	262.4
PP1212.088-250-S	22,23 (7/8")	63,5 (2,5")	25.3	38.1	25.4	38.1	12,71 - 14,07	262.4
PP1212.088-300-S	22,23 (7/8")	76,2 (3")	25.3	38.1	25.4	38.1	12,71 - 14,07	262.4
PP1212.088-350-S	22,23 (7/8")	88,9 (3,5")	25.3	38.1	25.4	38.1	12,71 - 14,07	262.4
PP1212.088-400-S	22,23 (7/8")	101,6 (4")	25.3	38.1	25.4	38.1	12,71 - 14,07	262.4
PP1212.088-450-S	22,23 (7/8")	114,3 (4,5")	25.3	38.1	25.4	38.1	12,71 - 14,07	262.4
PP1212.088-500-S	22,23 (7/8")	127 (5")	25.3	38.1	25.4	38.1	12,71 - 14,07	262.4
PP1212.088-550-S	22,23 (7/8")	139,7 (5,5")	25.3	38.1	25.4	38.1	12,71 - 14,07	262.4
PP1212.088-600-S	22,23 (7/8")	152,4 (6")	25.3	38.1	25.4	38.1	12,71 - 14,07	262.4
PP1212.088-650-S	22,23 (7/8")	165,1 (6,5")	25.3	38.1	25.4	38.1	12,71 - 14,07	262.4
PP1212.088-700-S	22,23 (7/8")	177,8 (7")	25.3	38.1	25.4	38.1	12,71 - 14,07	262.4
PP1212.088-800-S	22,23 (7/8")	203,2 (8")	25.3	38.1	25.4	38.1	12,71 - 14,07	262.4
PP1212.100-100-S	25,4 (1")	25,4 (1")	28.96	38.1	31.75	38.1	15,88 - 18,15	353.0
PP1212.100-150-S	25,4 (1")	38,1 (1,5")	28.96	38.1	31.75	38.1	15,88 - 18,15	353.0
PP1212.100-200-S	25,4 (1")	50,8 (2")	28.96	38.1	31.75	38.1	15,88 - 18,15	353.0
PP1212.100-250-S	25,4 (1")	63,5 (2,5")	28.96	38.1	31.75	38.1	15,88 - 18,15	353.0
PP1212.100-300-S	25,4 (1")	76,2 (3")	28.96	38.1	31.75	38.1	15,88 - 18,15	353.0
PP1212.100-350-S	25,4 (1")	88,9 (3,5")	28.96	38.1	31.75	38.1	15,88 - 18,15	353.0
PP1212.100-400-S	25,4 (1")	101,6 (4")	28.96	38.1	31.75	38.1	15,88 - 18,15	353.0
PP1212.100-450-S	25,4 (1")	114,3 (4,5")	28.96	38.1	31.75	38.1	15,88 - 18,15	353.0
PP1212.100-500-S	25,4 (1")	127 (5")	28.96	38.1	31.75	38.1	15,88 - 18,15	353.0
PP1212.100-550-S	25,4 (1")	139,7 (5,5")	28.96	38.1	31.75	38.1	15,88 - 18,15	353.0
PP1212.100-600-S	25,4 (1")	152,4 (6")	28.96	38.1	31.75	38.1	15,88 - 18,15	353.0
PP1212.100-700-S	25,4 (1")	177,8 (7")	28.96	38.1	31.75	38.1	15,88 - 18,15	353.0
PP1212.100-800-S	25,4 (1")	203,2 (8")	28.96	38.1	31.75	38.1	15,88 - 18,15	353.0

PULL PINS