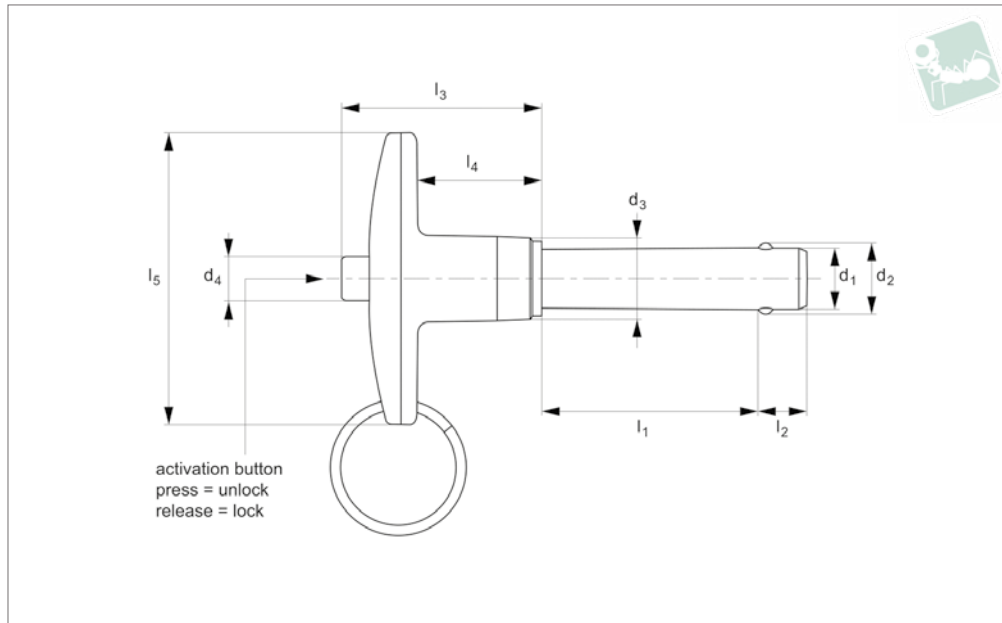




Quick Release Pins - Inch - T-handle precipitation hardened stainless pin

Quick Release Pins



QR1026

QUICK RELEASE PINS

Material

Pin: stainless steel 17-4PH (DIN 1.4542, AISI 630), precipitation hardened, passivated. Tensile strength 1,300 N/mm² min. HRC 40. RoHS compliant.
Handle: Alu. 380 die cast (DIN AlSi9Cu3), black anodised (RAL 9003).
Actuator button: Alu. 2024-T4 (DIN AlCuMg2), anodised blue or clear.

Internal spindle, balls and split ring (supplied); from stainless steel.

Technical Notes

Pressing = unlocking.
Releasing = locking.
Temperature range -30°C to +150°C
Supplied with split ring.

Tips

For quick fastening and locking frequently repeated connections.
For lanyards & retaining cables see part nos. L to LA1224. For easy install locating bushes and end caps see part nos. LA1260 to LA1355.

Order No.	d ₁ nom.	l ₁ grip +0.02 - 0.00	Material	d ₁ max.	d ₁ min.	d ₂ ±0.005	d ₃	d ₄	l ₂ +0.000 -0.030	l ₃	l ₄	l ₅	Loc'n hole min. max.	Pull out strength lb min.	Calc. double shear lb
QR1026.I18-050-T	3/16	0,50	17-4 PH	,1885	,1870	0,220	0,47	0,23	0,260	1,21	0,76	1,81	,1900/,1940	200	5150
QR1026.I18-075-T	3/16	0,75	17-4 PH	,1885	,1870	0,220	0,47	0,23	0,260	1,21	0,76	1,81	,1900/,1940	200	5150
QR1026.I18-100-T	3/16	1,00	17-4 PH	,1885	,1870	0,220	0,47	0,23	0,260	1,21	0,76	1,81	,1900/,1940	200	5150
QR1026.I18-125-T	3/16	1,25	17-4 PH	,1885	,1870	0,220	0,47	0,23	0,260	1,21	0,76	1,81	,1900/,1940	200	5150
QR1026.I18-150-T	3/16	1,50	17-4 PH	,1885	,1870	0,220	0,47	0,23	0,260	1,21	0,76	1,81	,1900/,1940	200	5150
QR1026.I18-175-T	3/16	1,75	17-4 PH	,1885	,1870	0,220	0,47	0,23	0,260	1,21	0,76	1,81	,1900/,1940	200	5150
QR1026.I18-200-T	3/16	2,00	17-4 PH	,1885	,1870	0,220	0,47	0,23	0,260	1,21	0,76	1,81	,1900/,1940	200	5150
QR1026.I18-250-T	3/16	2,50	17-4 PH	,1885	,1870	0,220	0,47	0,23	0,260	1,21	0,76	1,81	,1900/,1940	200	5150
QR1026.I18-300-T	3/16	3,00	17-4 PH	,1885	,1870	0,220	0,47	0,23	0,260	1,21	0,76	1,81	,1900/,1940	200	5150
QR1026.I18-350-T	3/16	3,50	17-4 PH	,1885	,1870	0,220	0,47	0,23	0,260	1,21	0,76	1,81	,1900/,1940	200	5150
QR1026.I18-400-T	3/16	4,00	17-4 PH	,1885	,1870	0,220	0,47	0,23	0,260	1,21	0,76	1,81	,1900/,1940	200	5150
QR1026.I25-050-T	1/4	0,50	17-4 PH	,2485	,2470	0,289	0,47	0,23	0,290	1,21	0,76	1,81	,2500/,2540	230	9200
QR1026.I25-075-T	1/4	0,75	17-4 PH	,2485	,2470	0,289	0,47	0,23	0,290	1,21	0,76	1,81	,2500/,2540	230	9200
QR1026.I25-100-T	1/4	1,00	17-4 PH	,2485	,2470	0,289	0,47	0,23	0,290	1,21	0,76	1,81	,2500/,2540	230	9200
QR1026.I25-125-T	1/4	1,25	17-4 PH	,2485	,2470	0,289	0,47	0,23	0,290	1,21	0,76	1,81	,2500/,2540	230	9200
QR1026.I25-150-T	1/4	1,50	17-4 PH	,2485	,2470	0,289	0,47	0,23	0,290	1,21	0,76	1,81	,2500/,2540	230	9200
QR1026.I25-175-T	1/4	1,75	17-4 PH	,2485	,2470	0,289	0,47	0,23	0,290	1,21	0,76	1,81	,2500/,2540	230	9200
QR1026.I25-200-T	1/4	2,00	17-4 PH	,2485	,2470	0,289	0,47	0,23	0,290	1,21	0,76	1,81	,2500/,2540	230	9200
QR1026.I25-250-T	1/4	2,50	17-4 PH	,2485	,2470	0,289	0,47	0,23	0,290	1,21	0,76	1,81	,2500/,2540	230	9200
QR1026.I25-300-T	1/4	3,00	17-4 PH	,2485	,2470	0,289	0,47	0,23	0,290	1,21	0,76	1,81	,2500/,2540	230	9200
QR1026.I25-350-T	1/4	3,50	17-4 PH	,2485	,2470	0,289	0,47	0,23	0,290	1,21	0,76	1,81	,2500/,2540	230	9200
QR1026.I25-400-T	1/4	4,00	17-4 PH	,2485	,2470	0,289	0,47	0,23	0,290	1,21	0,76	1,81	,2500/,2540	230	9200
QR1026.I31-050-T	5/16	0,50	17-4 PH	,3110	,3095	0,375	0,47	0,23	0,330	1,21	0,76	1,81	,3125/,3165	510	14400
QR1026.I31-075-T	5/16	0,75	17-4 PH	,3110	,3095	0,375	0,47	0,23	0,330	1,21	0,76	1,81	,3125/,3165	510	14400
QR1026.I31-100-T	5/16	1,00	17-4 PH	,3110	,3095	0,375	0,47	0,23	0,330	1,21	0,76	1,81	,3125/,3165	510	14400
QR1026.I31-125-T	5/16	1,25	17-4 PH	,3110	,3095	0,375	0,47	0,23	0,330	1,21	0,76	1,81	,3125/,3165	510	14400

Quick Release Pins

Quick Release Pins - Inch - T-handle precipitation hardened stainless pin



QUICK RELEASE PINS

Order No.	d ₁ nom.	l ₁ grip +0.02 - 0.00	Material	d ₁ max.	d ₁ min.	d ₂ ±0.005	d ₃	d ₄	l ₂ +0.000 - -0.030	l ₃	l ₄	l ₅	Loc'n hole min. max.	Pull out strength lb min.	Calc. double shear lb
QR1026.I31-150-T	5/16	1,50	17-4 PH	,3110	,3095	0,375	0,47	0,23	0,330	1,21	0,76	1,81	,3125/,3165	510	14400
QR1026.I31-175-T	5/16	1,75	17-4 PH	,3110	,3095	0,375	0,47	0,23	0,330	1,21	0,76	1,81	,3125/,3165	510	14400
QR1026.I31-200-T	5/16	2,00	17-4 PH	,3110	,3095	0,375	0,47	0,23	0,330	1,21	0,76	1,81	,3125/,3165	510	14400
QR1026.I31-250-T	5/16	2,50	17-4 PH	,3110	,3095	0,375	0,47	0,23	0,330	1,21	0,76	1,81	,3125/,3165	510	14400
QR1026.I31-300-T	5/16	3,00	17-4 PH	,3110	,3095	0,375	0,47	0,23	0,330	1,21	0,76	1,81	,3125/,3165	510	14400
QR1026.I31-350-T	5/16	3,50	17-4 PH	,3110	,3095	0,375	0,47	0,23	0,330	1,21	0,76	1,81	,3125/,3165	510	14400
QR1026.I31-400-T	5/16	4,00	17-4 PH	,3110	,3095	0,375	0,47	0,23	0,330	1,21	0,76	1,81	,3125/,3165	510	14400
QR1026.I37-050-T	3/8	0,50	17-4 PH	,3735	,3720	0,440	0,56	0,29	0,365	1,37	0,87	2,00	,3750/,3790	575	20600
QR1026.I37-075-T	3/8	0,75	17-4 PH	,3735	,3720	0,440	0,56	0,29	0,365	1,37	0,87	2,00	,3750/,3790	575	20600
QR1026.I37-100-T	3/8	1,00	17-4 PH	,3735	,3720	0,440	0,56	0,29	0,365	1,37	0,87	2,00	,3750/,3790	575	20600
QR1026.I37-125-T	3/8	1,25	17-4 PH	,3735	,3720	0,440	0,56	0,29	0,365	1,37	0,87	2,00	,3750/,3790	575	20600
QR1026.I37-150-T	3/8	1,50	17-4 PH	,3735	,3720	0,440	0,56	0,29	0,365	1,37	0,87	2,00	,3750/,3790	575	20600
QR1026.I37-175-T	3/8	1,75	17-4 PH	,3735	,3720	0,440	0,56	0,29	0,365	1,37	0,87	2,00	,3750/,3790	575	20600
QR1026.I37-200-T	3/8	2,00	17-4 PH	,3735	,3720	0,440	0,56	0,29	0,365	1,37	0,87	2,00	,3750/,3790	575	20600
QR1026.I37-250-T	3/8	2,50	17-4 PH	,3735	,3720	0,440	0,56	0,29	0,365	1,37	0,87	2,00	,3750/,3790	575	20600
QR1026.I37-300-T	3/8	3,00	17-4 PH	,3735	,3720	0,440	0,56	0,29	0,365	1,37	0,87	2,00	,3750/,3790	575	20600
QR1026.I37-350-T	3/8	3,50	17-4 PH	,3735	,3720	0,440	0,56	0,29	0,365	1,37	0,87	2,00	,3750/,3790	575	20600
QR1026.I37-400-T	3/8	4,00	17-4 PH	,3735	,3720	0,440	0,56	0,29	0,365	1,37	0,87	2,00	,3750/,3790	575	20600
QR1026.I50-100-T	1/2	1,00	17-4 PH	,4985	,4970	0,594	0,72	0,42	0,460	1,60	1,00	2,25	,5000/,5050	1160	36800
QR1026.I50-125-T	1/2	1,25	17-4 PH	,4985	,4970	0,594	0,72	0,42	0,460	1,60	1,00	2,25	,5000/,5050	1160	36800
QR1026.I50-150-T	1/2	1,50	17-4 PH	,4985	,4970	0,594	0,72	0,42	0,460	1,60	1,00	2,25	,5000/,5050	1160	36800
QR1026.I50-175-T	1/2	1,75	17-4 PH	,4985	,4970	0,594	0,72	0,42	0,460	1,60	1,00	2,25	,5000/,5050	1160	36800
QR1026.I50-200-T	1/2	2,00	17-4 PH	,4985	,4970	0,594	0,72	0,42	0,460	1,60	1,00	2,25	,5000/,5050	1160	36800
QR1026.I50-250-T	1/2	2,50	17-4 PH	,4985	,4970	0,594	0,72	0,42	0,460	1,60	1,00	2,25	,5000/,5050	1160	36800
QR1026.I50-300-T	1/2	3,00	17-4 PH	,4985	,4970	0,594	0,72	0,42	0,460	1,60	1,00	2,25	,5000/,5050	1160	36800
QR1026.I50-350-T	1/2	3,50	17-4 PH	,4985	,4970	0,594	0,72	0,42	0,460	1,60	1,00	2,25	,5000/,5050	1160	36800
QR1026.I50-400-T	1/2	4,00	17-4 PH	,4985	,4970	0,594	0,72	0,42	0,460	1,60	1,00	2,25	,5000/,5050	1160	36800
QR1026.I50-450-T	1/2	4,50	17-4 PH	,4985	,4970	0,594	0,72	0,42	0,460	1,60	1,00	2,25	,5000/,5050	1160	36800
QR1026.I50-500-T	1/2	5,00	17-4 PH	,4985	,4970	0,594	0,72	0,42	0,460	1,60	1,00	2,25	,5000/,5050	1160	36800
QR1026.I50-550-T	1/2	5,50	17-4 PH	,4985	,4970	0,594	0,72	0,42	0,460	1,60	1,00	2,25	,5000/,5050	1160	36800
QR1026.I50-600-T	1/2	6,00	17-4 PH	,4985	,4970	0,594	0,72	0,42	0,460	1,60	1,00	2,25	,5000/,5050	1160	36800
QR1026.I62-150-T	5/8	1,50	17-4 PH	,6235	,6220	0,750	0,94	0,54	0,580	1,77	1,11	3,07	,6250/,6300	2070	57500
QR1026.I62-175-T	5/8	1,75	17-4 PH	,6235	,6220	0,750	0,94	0,54	0,580	1,77	1,11	3,07	,6250/,6300	2070	57500
QR1026.I62-200-T	5/8	2,00	17-4 PH	,6235	,6220	0,750	0,94	0,54	0,580	1,77	1,11	3,07	,6250/,6300	2070	57500
QR1026.I62-250-T	5/8	2,50	17-4 PH	,6235	,6220	0,750	0,94	0,54	0,580	1,77	1,11	3,07	,6250/,6300	2070	57500
QR1026.I62-300-T	5/8	3,00	17-4 PH	,6235	,6220	0,750	0,94	0,54	0,580	1,77	1,11	3,07	,6250/,6300	2070	57500
QR1026.I62-350-T	5/8	3,50	17-4 PH	,6235	,6220	0,750	0,94	0,54	0,580	1,77	1,11	3,07	,6250/,6300	2070	57500
QR1026.I62-400-T	5/8	4,00	17-4 PH	,6235	,6220	0,750	0,94	0,54	0,580	1,77	1,11	3,07	,6250/,6300	2070	57500
QR1026.I62-450-T	5/8	4,50	17-4 PH	,6235	,6220	0,750	0,94	0,54	0,580	1,77	1,11	3,07	,6250/,6300	2070	57500
QR1026.I62-500-T	5/8	5,00	17-4 PH	,6235	,6220	0,750	0,94	0,54	0,580	1,77	1,11	3,07	,6250/,6300	2070	57500
QR1026.I62-550-T	5/8	5,50	17-4 PH	,6235	,6220	0,750	0,94	0,54	0,580	1,77	1,11	3,07	,6250/,6300	2070	57500
QR1026.I62-600-T	5/8	6,00	17-4 PH	,6235	,6220	0,750	0,94	0,54	0,580	1,77	1,11	3,07	,6250/,6300	2070	57500