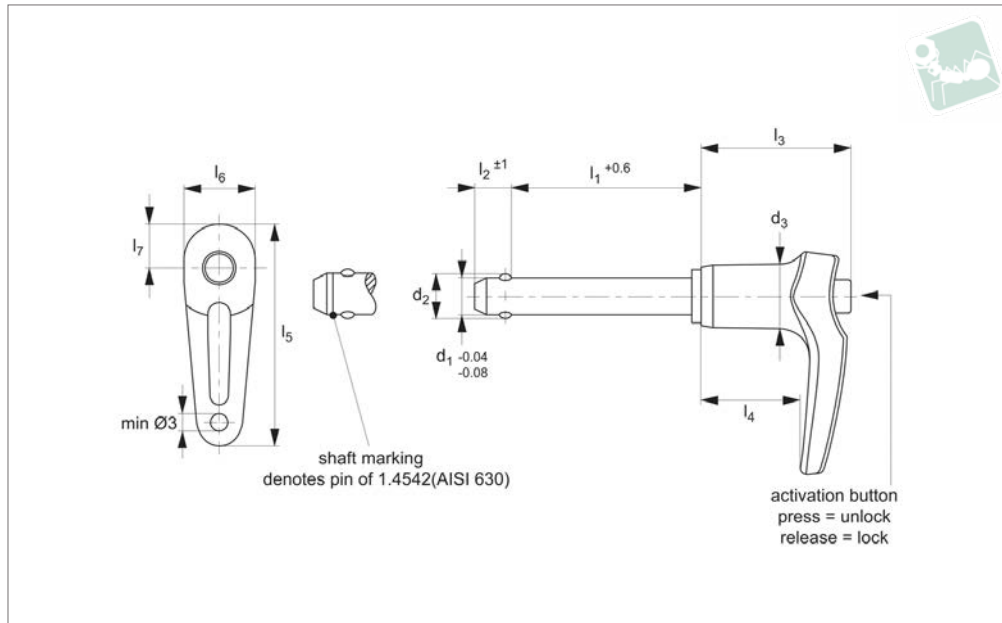




Ball Lock Pins - Single Acting - L- self-locking - stainless 1.4305

Quick Release Pins



QR1104

QUICK RELEASE PINS

Material

Pin: stainless steel 1.4305 (AISI 303).
Ball: stainless steel 1.3541
Spring: stainless steel

Releasing = locking.

Temperature resistance -30°C to +150°C.
For quick fastening and locking of
frequently repeated connections.

LA1066. Easy install locating bushes
available see part no. LA1310.

Important Notes

*Shearing resistance similar to DIN 50141.

Technical Notes

Pressing = unlocking.

Tips

For lanyards & retaining cables see aprt no.

Order No.	Material	d ₁	l ₁	d ₂	d ₃	l ₂	l ₃	l ₄	l ₅	l ₆	l ₇	Location hole dia. tol. H11	Shearing resi- stance kN	Weight g
QR1104.M05-010-S	Stainless 1.4305	5	10	5,5	11,8	6,0	31,6	21,9	43,8	12,6	8,5	5	14	20
QR1104.M05-015-S	Stainless 1.4305	5	15	5,5	11,8	6,0	31,6	21,9	43,8	12,6	8,5	5	14	21
QR1104.M05-020-S	Stainless 1.4305	5	20	5,5	11,8	6,0	31,6	21,9	43,8	12,6	8,5	5	14	21
QR1104.M05-025-S	Stainless 1.4305	5	25	5,5	11,8	6,0	31,6	21,9	43,8	12,6	8,5	5	14	22
QR1104.M05-030-S	Stainless 1.4305	5	30	5,5	11,8	6,0	31,6	21,9	43,8	12,6	8,5	5	14	23
QR1104.M06-010-S	Stainless 1.4305	6	10	7,0	11,8	7,0	31,6	21,9	43,8	12,6	8,5	6	21	21
QR1104.M06-015-S	Stainless 1.4305	6	15	7,0	11,8	7,0	31,6	21,9	43,8	12,6	8,5	6	21	22
QR1104.M06-020-S	Stainless 1.4305	6	20	7,0	11,8	7,0	31,6	21,9	43,8	12,6	8,5	6	21	23
QR1104.M06-025-S	Stainless 1.4305	6	25	7,0	11,8	7,0	31,6	21,9	43,8	12,6	8,5	6	21	24
QR1104.M06-030-S	Stainless 1.4305	6	30	7,0	11,8	7,0	31,6	21,9	43,8	12,6	8,5	6	21	25
QR1104.M06-035-S	Stainless 1.4305	6	35	7,0	11,8	7,0	31,6	21,9	43,8	12,6	8,5	6	21	26
QR1104.M06-040-S	Stainless 1.4305	6	40	7,0	11,8	7,0	31,6	21,9	43,8	12,6	8,5	6	21	27
QR1104.M06-045-S	Stainless 1.4305	6	45	7,0	11,8	7,0	31,6	21,9	43,8	12,6	8,5	6	21	28
QR1104.M06-050-S	Stainless 1.4305	6	50	7,0	11,8	7,0	31,6	21,9	43,8	12,6	8,5	6	21	29
QR1104.M08-020-S	Stainless 1.4305	8	20	9,5	14,7	8,2	35,8	24,4	49,7	15,8	9,9	8	38	37
QR1104.M08-025-S	Stainless 1.4305	8	25	9,5	14,7	8,2	35,8	24,4	49,7	15,8	9,9	8	38	39
QR1104.M08-030-S	Stainless 1.4305	8	30	9,5	14,7	8,2	35,8	24,4	49,7	15,8	9,9	8	38	41
QR1104.M08-035-S	Stainless 1.4305	8	35	9,5	14,7	8,2	35,8	24,4	49,7	15,8	9,9	8	38	43
QR1104.M08-040-S	Stainless 1.4305	8	40	9,5	14,7	8,2	35,8	24,4	49,7	15,8	9,9	8	38	45
QR1104.M08-045-S	Stainless 1.4305	8	45	9,5	14,7	8,2	35,8	24,4	49,7	15,8	9,9	8	38	46
QR1104.M08-050-S	Stainless 1.4305	8	50	9,5	14,7	8,2	35,8	24,4	49,7	15,8	9,9	8	38	48
QR1104.M10-020-S	Stainless 1.4305	10	20	12,0	14,7	9,6	35,8	24,4	49,7	15,8	9,9	10	60	44
QR1104.M10-025-S	Stainless 1.4305	10	25	12,0	14,7	9,6	35,8	24,4	49,7	15,8	9,9	10	60	47
QR1104.M10-030-S	Stainless 1.4305	10	30	12,0	14,7	9,6	35,8	24,4	49,7	15,8	9,9	10	60	50
QR1104.M10-035-S	Stainless 1.4305	10	35	12,0	14,7	9,6	35,8	24,4	49,7	15,8	9,9	10	60	53
QR1104.M10-040-S	Stainless 1.4305	10	40	12,0	14,7	9,6	35,8	24,4	49,7	15,8	9,9	10	60	56
QR1104.M10-045-S	Stainless 1.4305	10	45	12,0	14,7	9,6	35,8	24,4	49,7	15,8	9,9	10	60	58
QR1104.M10-050-S	Stainless 1.4305	10	50	12,0	14,7	9,6	35,8	24,4	49,7	15,8	9,9	10	60	62
QR1104.M10-060-S	Stainless 1.4305	10	60	12,0	14,7	9,6	35,8	24,4	49,7	15,8	9,9	10	60	67
QR1104.M12-025-S	Stainless 1.4305	12	25	14,5	18,2	10,6	35,1	22,7	57,1	20,2	12,6	12	87	73



Order No.	Material	d ₁	l ₁	d ₂	d ₃	l ₂	l ₃	l ₄	l ₅	l ₆	l ₇	Location hole dia. tol. H11	Shearing resi- stance kN	Weight g
QR1104.M12-030-S	Stainless 1.4305	12	30	14,5	18,2	10,6	35,1	22,7	57,1	20,2	12,6	12	87	77
QR1104.M12-035-S	Stainless 1.4305	12	35	14,5	18,2	10,6	35,1	22,7	57,1	20,2	12,6	12	87	82
QR1104.M12-040-S	Stainless 1.4305	12	40	14,5	18,2	10,6	35,1	22,7	57,1	20,2	12,6	12	87	86
QR1104.M12-045-S	Stainless 1.4305	12	45	14,5	18,2	10,6	35,1	22,7	57,1	20,2	12,6	12	87	90
QR1104.M12-050-S	Stainless 1.4305	12	50	14,5	18,2	10,6	35,1	22,7	57,1	20,2	12,6	12	87	94
QR1104.M12-060-S	Stainless 1.4305	12	60	14,5	18,2	10,6	35,1	22,7	57,1	20,2	12,6	12	87	103
QR1104.M12-070-S	Stainless 1.4305	12	70	14,5	18,2	10,6	35,1	22,7	57,1	20,2	12,6	12	87	111
QR1104.M12-080-S	Stainless 1.4305	12	80	14,5	18,2	10,6	35,1	22,7	57,1	20,2	12,6	12	87	120



Wixroyd Ball Lock Pins

applications

33060 - 33250

Positioning Elements

QUICK RELEASE PINS



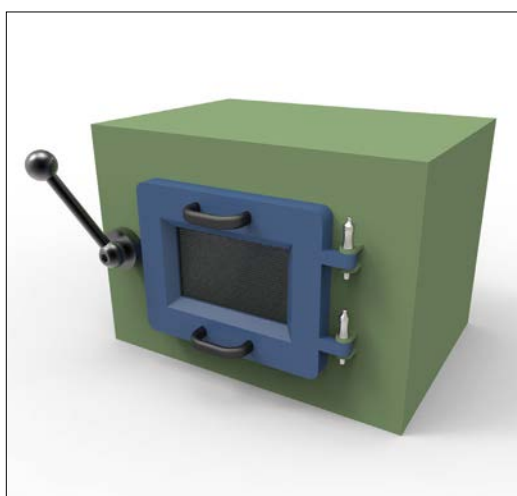
Sound Rigging Systems

Ball lock pins on a sound rigging system. Offering secure fixing with high shear forces and easy fitting for operators at heights.

In addition full black powder coating of grip and actuation button eliminates glare from other stage lighting.



Gym Equipment



Scientific and Medical

ov-W33060.BK-A-TOR1706-W33250-A-TLA1066-a-rmh - Updated - 27-10-2022



Pin Material

1.4305 (AISI 303) - shear force approx. 60% of higher material version 1.4542

1.4542 (AISI 630) - identified by the ridge on the pin

CRES 17-4PH (AMS 5643) aviation standard



Handle Style



Plastic tri-star



T-handled, metal



L-handled, metal



Mushroom, metal



Single piece metal, contoured



Special plastic self-spring



Adjustable grip length, plastic



Key ring



Safety, metal



Mushroom Type B aviation

Type R aviation

Lanyards and Locating Bushes



Stainless wire - (coated) - 2 x key ring



Stainless wire - Key ring and fixing loop



Plastic - 2 x cable tie



Steel wire - (coated) - 2 x key ring



Stainless bead chain - 2 x key ring



Locating bushes

Actuation



Press = unlock
Release = lock (standard)



Press = unlock and position
Release = lock and simultaneous clamp



Simple spring loaded balls "pullout pin"

Important Note

Important Note: Ball lock pins are not suited to lifting applications!
For quick release lifting pins, see part 33400.



Shear force



Lifting force

Special Variations

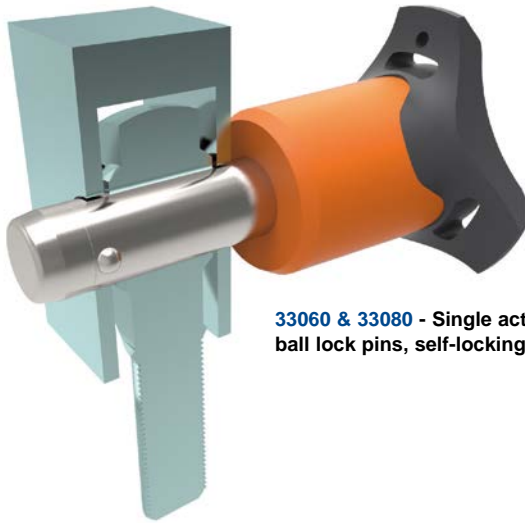


Variations on our standard designs are possible, please contact our sales team for technical assistance. Quick production on specials can be as little as 3 weeks.



Applications

- Positioning.
- Lifting.
- Locking.
- Indexing.
- Joining.



33060 & 33080 - Single acting ball lock pins, self-locking.



33194 - Single acting ball lock pins, self locking, simple finish.



33140 - Socket pins, non-locking, spring loaded balls.



33100 - Single acting ball lock pin, self locking.



33180 - Clamping pins, with span compensation, self-locking.



33250 & 33270 - Lanyards.



33220 - Ball lock pins, single acting - L-handle