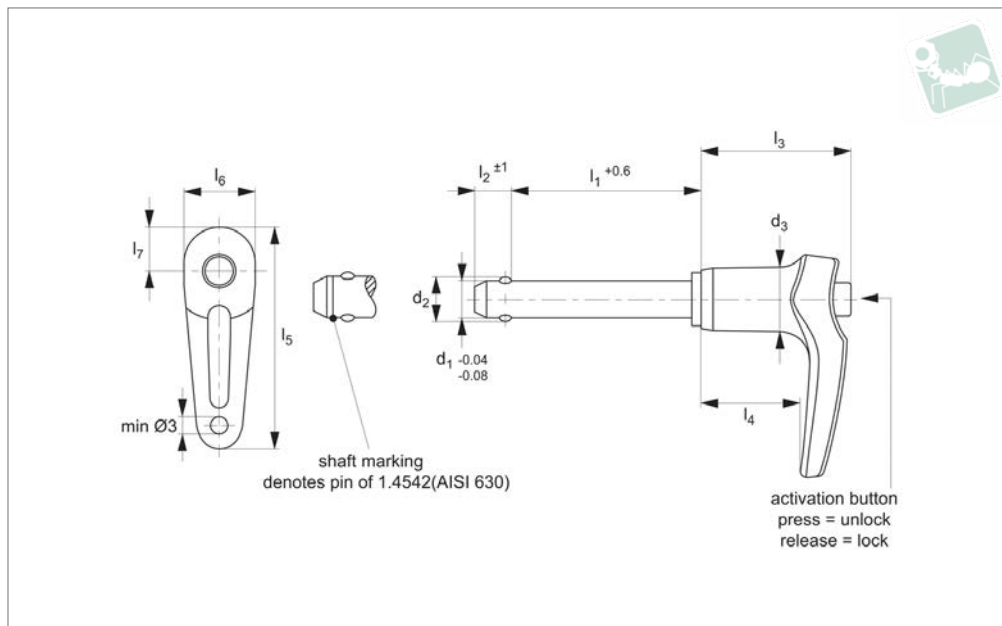




Ball Lock Pins - Single Acting - L- self-locking - stainless 1.4542

Quick Release Pins



QR1106

QUICK RELEASE PINS

Material

Pin: stainless steel 1.4542 (AISI 630).
Precipitation hardened, blast finish. Offering extreme load capacity. (Marked at end of shaft to denote 1.4542 material).
Ball: stainless steel 1.3541
Handle: aluminium, black (RAL9003).
Spring: stainless steel.

Technical Notes

Pressing = unlocking.
Releasing = locking.
Temperature resistance -30°C to +150°C.
For quick fastening and locking of frequently repeated connections.

Tips

For lanyards & retaining cables see aprt no. LA1066. Easy install locating bushes available see part no. LA1310.

Important Notes

*Shearing resistance similar to DIN 50141.

Order No.	Material	d ₁	l ₁	d ₂	d ₃	Weight g
QR1106.M05-010-T	Stainless 1.4542	5	10	5.5	11.8	20
QR1106.M05-015-T	Stainless 1.4542	5	15	5.5	11.8	21
QR1106.M05-020-T	Stainless 1.4542	5	20	5.5	11.8	21
QR1106.M05-025-T	Stainless 1.4542	5	25	5.5	11.8	22
QR1106.M05-030-T	Stainless 1.4542	5	30	5.5	11.8	23
QR1106.M06-010-T	Stainless 1.4542	6	10	7.0	11.8	21
QR1106.M06-015-T	Stainless 1.4542	6	15	7.0	11.8	22
QR1106.M06-020-T	Stainless 1.4542	6	20	7.0	11.8	23
QR1106.M06-025-T	Stainless 1.4542	6	25	7.0	11.8	24
QR1106.M06-030-T	Stainless 1.4542	6	30	7.0	11.8	25
QR1106.M06-035-T	Stainless 1.4542	6	35	7.0	11.8	26
QR1106.M06-040-T	Stainless 1.4542	6	40	7.0	11.8	27
QR1106.M06-045-T	Stainless 1.4542	6	45	7.0	11.8	28
QR1106.M06-050-T	Stainless 1.4542	6	50	7.0	11.8	29
QR1106.M08-020-T	Stainless 1.4542	8	20	9.5	14.7	37
QR1106.M08-025-T	Stainless 1.4542	8	25	9.5	14.7	39
QR1106.M08-030-T	Stainless 1.4542	8	30	9.5	14.7	41
QR1106.M08-035-T	Stainless 1.4542	8	35	9.5	14.7	43
QR1106.M08-040-T	Stainless 1.4542	8	40	9.5	14.7	45
QR1106.M08-045-T	Stainless 1.4542	8	45	9.5	14.7	46
QR1106.M08-050-T	Stainless 1.4542	8	50	9.5	14.7	48
QR1106.M10-020-T	Stainless 1.4542	10	20	12.0	14.7	44
QR1106.M10-025-T	Stainless 1.4542	10	25	12.0	14.7	47
QR1106.M10-030-T	Stainless 1.4542	10	30	12.0	14.7	50
QR1106.M10-035-T	Stainless 1.4542	10	35	12.0	14.7	53
QR1106.M10-040-T	Stainless 1.4542	10	40	12.0	14.7	56
QR1106.M10-045-T	Stainless 1.4542	10	45	12.0	14.7	58
QR1106.M10-050-T	Stainless 1.4542	10	50	12.0	14.7	62
QR1106.M10-060-T	Stainless 1.4542	10	60	12.0	14.7	67

Quick Release Pins

Ball Lock Pins - Single Acting - L- self-locking - stainless 1.4542



QUICK RELEASE PINS

Order No.	Material	d ₁	l ₁	d ₂	d ₃	Weight g
QR1106.M12-025-T	Stainless 1.4542	12	25	14.5	18.2	73
QR1106.M12-030-T	Stainless 1.4542	12	30	14.5	18.2	77
QR1106.M12-035-T	Stainless 1.4542	12	35	14.5	18.2	82
QR1106.M12-040-T	Stainless 1.4542	12	40	14.5	18.2	86
QR1106.M12-045-T	Stainless 1.4542	12	45	14.5	18.2	90
QR1106.M12-050-T	Stainless 1.4542	12	50	14.5	18.2	94
QR1106.M12-060-T	Stainless 1.4542	12	60	14.5	18.2	103
QR1106.M12-070-T	Stainless 1.4542	12	70	14.5	18.2	111
QR1106.M12-080-T	Stainless 1.4542	12	80	14.5	18.2	120

Order No.	l ₂	l ₃	l ₄	l ₅	l ₆	l ₇	Location hole dia. tol. H11	Shearing resistance kN
QR1106.M05-010-T	6.0	31.6	21.9	43.8	12.6	8.5	5	24
QR1106.M05-015-T	6.0	31.6	21.9	43.8	12.6	8.5	5	24
QR1106.M05-020-T	6.0	31.6	21.9	43.8	12.6	8.5	5	24
QR1106.M05-025-T	6.0	31.6	21.9	43.8	12.6	8.5	5	24
QR1106.M05-030-T	6.0	31.6	21.9	43.8	12.6	8.5	5	24
QR1106.M06-010-T	7.0	31.6	21.9	43.8	12.6	8.5	6	35
QR1106.M06-015-T	7.0	31.6	21.9	43.8	12.6	8.5	6	35
QR1106.M06-020-T	7.0	31.6	21.9	43.8	12.6	8.5	6	35
QR1106.M06-025-T	7.0	31.6	21.9	43.8	12.6	8.5	6	35
QR1106.M06-030-T	7.0	31.6	21.9	43.8	12.6	8.5	6	35
QR1106.M06-035-T	7.0	31.6	21.9	43.8	12.6	8.5	6	35
QR1106.M06-040-T	7.0	31.6	21.9	43.8	12.6	8.5	6	35
QR1106.M06-045-T	7.0	31.6	21.9	43.8	12.6	8.5	6	35
QR1106.M06-050-T	7.0	31.6	21.9	43.8	12.6	8.5	6	35
QR1106.M08-020-T	8.2	35.8	24.4	49.7	15.8	9.9	8	63
QR1106.M08-025-T	8.2	35.8	24.4	49.7	15.8	9.9	8	63
QR1106.M08-030-T	8.2	35.8	24.4	49.7	15.8	9.9	8	63
QR1106.M08-035-T	8.2	35.8	24.4	49.7	15.8	9.9	8	63
QR1106.M08-040-T	8.2	35.8	24.4	49.7	15.8	9.9	8	63
QR1106.M08-045-T	8.2	35.8	24.4	49.7	15.8	9.9	8	63
QR1106.M08-050-T	8.2	35.8	24.4	49.7	15.8	9.9	8	63
QR1106.M10-020-T	9.6	35.8	24.4	49.7	15.8	9.9	10	100
QR1106.M10-025-T	9.6	35.8	24.4	49.7	15.8	9.9	10	100
QR1106.M10-030-T	9.6	35.8	24.4	49.7	15.8	9.9	10	100
QR1106.M10-035-T	9.6	35.8	24.4	49.7	15.8	9.9	10	100
QR1106.M10-040-T	9.6	35.8	24.4	49.7	15.8	9.9	10	100
QR1106.M10-045-T	9.6	35.8	24.4	49.7	15.8	9.9	10	100
QR1106.M10-050-T	9.6	35.8	24.4	49.7	15.8	9.9	10	100



Ball Lock Pins - Single Acting - L- self-locking - stainless 1.4542

Quick Release Pins

Order No.	l ₂	l ₃	l ₄	l ₅	l ₆	l ₇	Location hole dia. tol. H11	Shearing resistance kN
QR1106.M10-060-T	9.6	35.8	24.4	49.7	15.8	9.9	10	100
QR1106.M12-025-T	10.6	35.1	22.7	57.1	20.2	12.6	12	144
QR1106.M12-030-T	10.6	35.1	22.7	57.1	20.2	12.6	12	144
QR1106.M12-035-T	10.6	35.1	22.7	57.1	20.2	12.6	12	144
QR1106.M12-040-T	10.6	35.1	22.7	57.1	20.2	12.6	12	144
QR1106.M12-045-T	10.6	35.1	22.7	57.1	20.2	12.6	12	144
QR1106.M12-050-T	10.6	35.1	22.7	57.1	20.2	12.6	12	144
QR1106.M12-060-T	10.6	35.1	22.7	57.1	20.2	12.6	12	144
QR1106.M12-070-T	10.6	35.1	22.7	57.1	20.2	12.6	12	144
QR1106.M12-080-T	10.6	35.1	22.7	57.1	20.2	12.6	12	144

QUICK RELEASE PINS



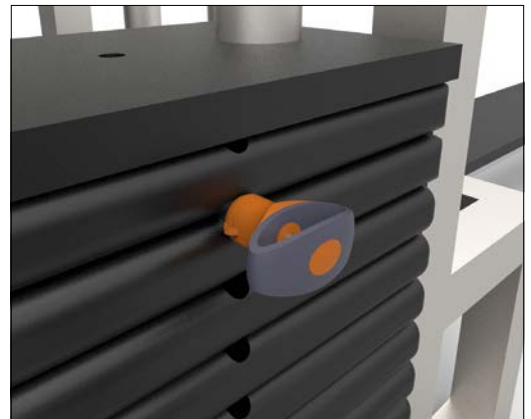
Sound Rigging Systems

Ball lock pins on a sound rigging system. Offering secure fixing with high shear forces and easy fitting for operators at heights.

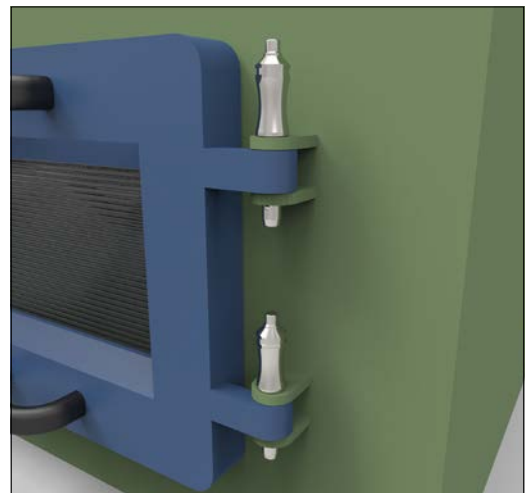
In addition full black powder coating of grip and actuation button eliminates glare from other stage lighting.



Gym Equipment



Scientific and Medical





Wixroyd Ball Lock Pins

features

33060 - 33250

Positioning Elements

QUICK RELEASE PINS

1.4305 (AISI 303) - shear force approx. 60% of higher material version 1.4542

1.4542 (AISI 630) - identified by the ridge on the pin

CRES 17-4PH (AMS 5643) aviation standard



Pin Material

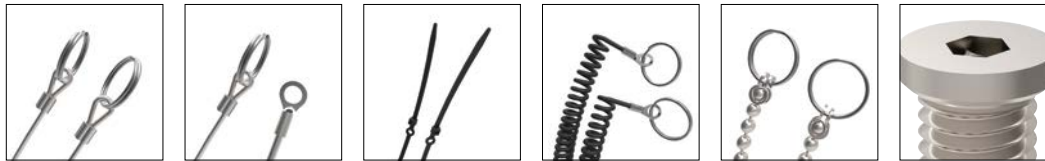


Handle Style

Plastic tri-star T-handled, metal L-handled, metal Mushroom, metal Single piece metal, contoured

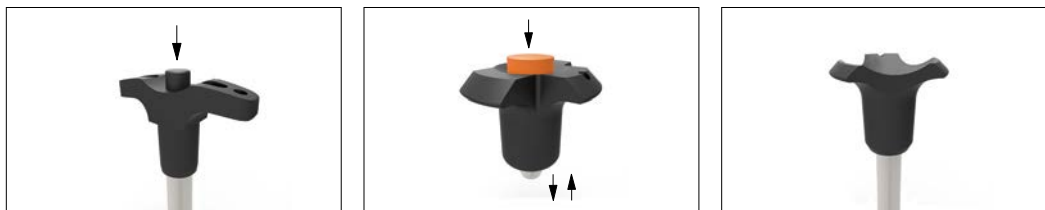


Special plastic self-spring Adjustable grip length, plastic Key ring Safety, metal Mushroom Type B aviation Type R aviation



Lanyards and Locating Bushes

Stainless wire - (coated) - 2 x key ring Stainless wire - Key ring and fixing loop Plastic - 2 x cable tie Steel wire - (coated) - 2 x key ring Stainless bead chain - 2 x key ring Locating bushes



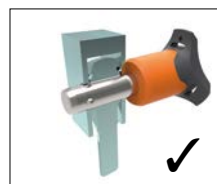
Actuation

Press = unlock
Release = lock (standard)

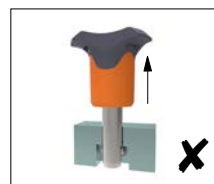
Press = unlock and position
Release = lock and simultaneous clamp

Simple spring loaded balls "pullout pin"

Important Note: Ball lock pins are not suited to lifting applications!
For quick release lifting pins, see part 33400.



Shear force



Lifting force

Important Note



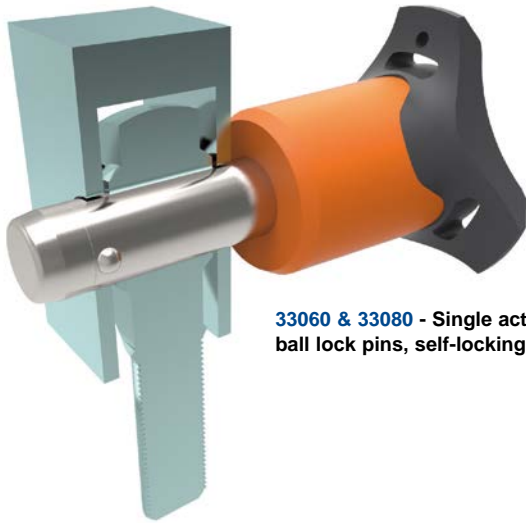
Variations on our standard designs are possible, please contact our sales team for technical assistance. Quick production on specials can be as little as 3 weeks.

Special Variations



Applications

- Positioning.
- Lifting.
- Locking.
- Indexing.
- Joining.



33060 & 33080 - Single acting ball lock pins, self-locking.



33194 - Single acting ball lock pins, self locking, simple finish.



33140 - Socket pins, non-locking, spring loaded balls.



33100 - Single acting ball lock pin, self locking.



33180 - Clamping pins, with span compensation, self-locking.



33250 & 33270 - Lanyards.



33220 - Ball lock pins, single acting - L-handle