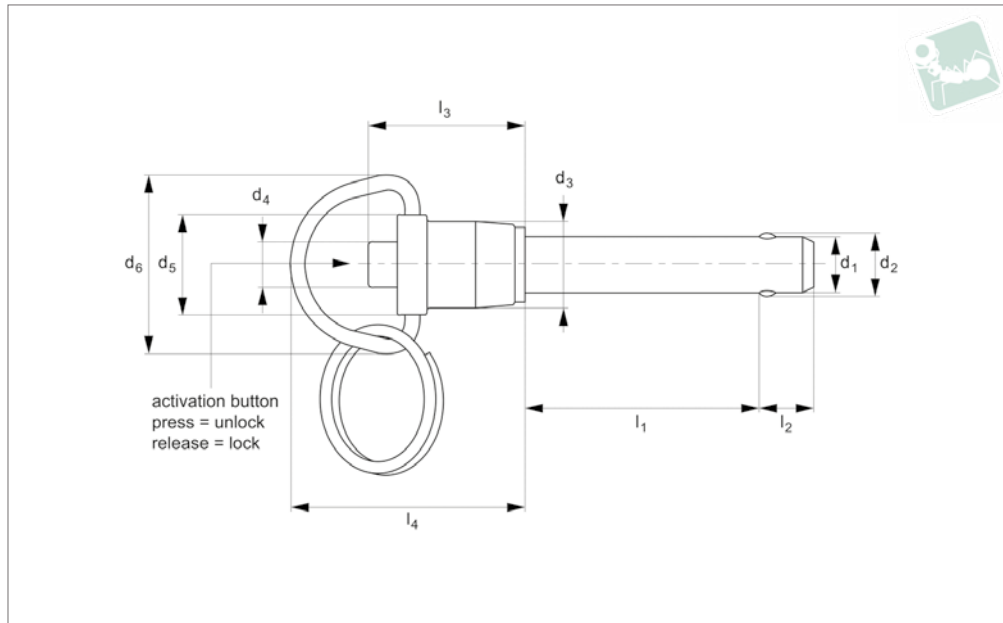




Quick Release Pins - Inch - R-handle

stainless pin - stainless handle

Quick Release Pins



QR1374

QUICK RELEASE PINS

Material

Pin: stainless steel, AISI 304 (DIN 1.4301) or AISI 303 (DIN 1.4305), passivated.
 Tensile strength 500 N/mm² min. RoHS compliant.
 Handle: stainless steel, AISI 303 (DIN 1.4305), passivated.
 Actuator button: stainless steel, AISI 303 (DIN 1.4305), passivated.

Internal spindle, balls and split ring (supplied); from stainless steel.

Technical Notes

Pressing = unlocking.
 Releasing = locking.
 Temperature range -30°C to +150°C
Supplied with split ring.

Tips

For quick fastening and locking frequently repeated connections.
 For lanyards & retaining cables see part nos. L to LA1224. For easy install locating bushes and end caps see part nos. LA1260 to LA1355.

Order No.	Material	l ₁ grip +0.02 - 0.00	d ₁ min.	d ₁ max.	d ₁ nom.	d ₂ ±0.005	d ₃	d ₄	d ₅	d ₆	l ₂ +0.000 -0.030	l ₃	l ₄	Loc'n hole min. max.	Pull out strength lb min.	Calc. double shear lb
QR1374.I25-050-S	304 SS	0,50	,2470,2485	1/4	0,289	0,47	0,23	0,59	1,16	0,290	0,92	1,45	,2500/,2540	230	2200	
QR1374.I25-075-S	304 SS	0,75	,2470,2485	1/4	0,289	0,47	0,23	0,59	1,16	0,290	0,92	1,45	,2500/,2540	230	2200	
QR1374.I25-100-S	304 SS	1,00	,2470,2485	1/4	0,289	0,47	0,23	0,59	1,16	0,290	0,92	1,45	,2500/,2540	230	2200	
QR1374.I25-125-S	304 SS	1,25	,2470,2485	1/4	0,289	0,47	0,23	0,59	1,16	0,290	0,92	1,45	,2500/,2540	230	2200	
QR1374.I25-150-S	304 SS	1,50	,2470,2485	1/4	0,289	0,47	0,23	0,59	1,16	0,290	0,92	1,45	,2500/,2540	230	2200	
QR1374.I25-175-S	304 SS	1,75	,2470,2485	1/4	0,289	0,47	0,23	0,59	1,16	0,290	0,92	1,45	,2500/,2540	230	2200	
QR1374.I25-200-S	304 SS	2,00	,2470,2485	1/4	0,289	0,47	0,23	0,59	1,16	0,290	0,92	1,45	,2500/,2540	230	2200	
QR1374.I25-250-S	304 SS	2,50	,2470,2485	1/4	0,289	0,47	0,23	0,59	1,16	0,290	0,92	1,45	,2500/,2540	230	2200	
QR1374.I25-300-S	304 SS	3,00	,2470,2485	1/4	0,289	0,47	0,23	0,59	1,16	0,290	0,92	1,45	,2500/,2540	230	2200	
QR1374.I25-350-S	304 SS	3,50	,2470,2485	1/4	0,289	0,47	0,23	0,59	1,16	0,290	0,92	1,45	,2500/,2540	230	2200	
QR1374.I25-400-S	304 SS	4,00	,2470,2485	1/4	0,289	0,47	0,23	0,59	1,16	0,290	0,92	1,45	,2500/,2540	230	2200	
QR1374.I31-050-S	304 SS	0,50	,3095,3110	5/16	0,375	0,47	0,23	0,59	1,16	0,330	0,92	1,45	,3125/,3165	510	3500	
QR1374.I31-075-S	304 SS	0,75	,3095,3110	5/16	0,375	0,47	0,23	0,59	1,16	0,330	0,92	1,45	,3125/,3165	510	3500	
QR1374.I31-100-S	304 SS	1,00	,3095,3110	5/16	0,375	0,47	0,23	0,59	1,16	0,330	0,92	1,45	,3125/,3165	510	3500	
QR1374.I31-125-S	304 SS	1,25	,3095,3110	5/16	0,375	0,47	0,23	0,59	1,16	0,330	0,92	1,45	,3125/,3165	510	3500	
QR1374.I31-150-S	304 SS	1,50	,3095,3110	5/16	0,375	0,47	0,23	0,59	1,16	0,330	0,92	1,45	,3125/,3165	510	3500	
QR1374.I31-175-S	304 SS	1,75	,3095,3110	5/16	0,375	0,47	0,23	0,59	1,16	0,330	0,92	1,45	,3125/,3165	510	3500	
QR1374.I31-200-S	304 SS	2,00	,3095,3110	5/16	0,375	0,47	0,23	0,59	1,16	0,330	0,92	1,45	,3125/,3165	510	3500	
QR1374.I31-250-S	304 SS	2,50	,3095,3110	5/16	0,375	0,47	0,23	0,59	1,16	0,330	0,92	1,45	,3125/,3165	510	3500	
QR1374.I31-300-S	304 SS	3,00	,3095,3110	5/16	0,375	0,47	0,23	0,59	1,16	0,330	0,92	1,45	,3125/,3165	510	3500	
QR1374.I31-350-S	304 SS	3,50	,3095,3110	5/16	0,375	0,47	0,23	0,59	1,16	0,330	0,92	1,45	,3125/,3165	510	3500	
QR1374.I31-400-S	304 SS	4,00	,3095,3110	5/16	0,375	0,47	0,23	0,59	1,16	0,330	0,92	1,45	,3125/,3165	510	3500	
QR1374.I37-050-S	304 SS	0,50	,3720,3735	3/8	0,440	0,56	0,29	0,65	1,16	0,365	1,01	1,52	,3750/,3790	575	4500	
QR1374.I37-075-S	304 SS	0,75	,3720,3735	3/8	0,440	0,56	0,29	0,65	1,16	0,365	1,01	1,52	,3750/,3790	575	4500	
QR1374.I37-100-S	304 SS	1,00	,3720,3735	3/8	0,440	0,56	0,29	0,65	1,16	0,365	1,01	1,52	,3750/,3790	575	4500	
QR1374.I37-125-S	304 SS	1,25	,3720,3735	3/8	0,440	0,56	0,29	0,65	1,16	0,365	1,01	1,52	,3750/,3790	575	4500	

Quick Release Pins

Quick Release Pins - Inch - R-handle stainless pin - stainless handle



QUICK RELEASE PINS

Order No.	Material	l ₁ grip +0.02 - 0.00	d ₁ min.	d ₁ max.	d ₁ nom.	d ₂ ±0.005	d ₃	d ₄	d ₅	d ₆	l ₂ +0.000 -0.030	l ₃	l ₄	Loc'n hole min. max.	Pull out strength lb min.	Calc. double shear lb
QR1374.I37-150-S	304 SS	1,50	,3720	,3735	3/8	0,440	0,56	0,29	0,65	1,16	0,365	1,01	1,52	,3750/,3790	575	4500
QR1374.I37-175-S	304 SS	1,75	,3720	,3735	3/8	0,440	0,56	0,29	0,65	1,16	0,365	1,01	1,52	,3750/,3790	575	4500
QR1374.I37-200-S	304 SS	2,00	,3720	,3735	3/8	0,440	0,56	0,29	0,65	1,16	0,365	1,01	1,52	,3750/,3790	575	4500
QR1374.I37-250-S	304 SS	2,50	,3720	,3735	3/8	0,440	0,56	0,29	0,65	1,16	0,365	1,01	1,52	,3750/,3790	575	4500
QR1374.I37-300-S	304 SS	3,00	,3720	,3735	3/8	0,440	0,56	0,29	0,65	1,16	0,365	1,01	1,52	,3750/,3790	575	4500
QR1374.I37-350-S	304 SS	3,50	,3720	,3735	3/8	0,440	0,56	0,29	0,65	1,16	0,365	1,01	1,52	,3750/,3790	575	4500
QR1374.I37-400-S	304 SS	4,00	,3720	,3735	3/8	0,440	0,56	0,29	0,65	1,16	0,365	1,01	1,52	,3750/,3790	575	4500
QR1374.I50-100-S	304 SS	1,00	,4970	,4985	1/2	0,594	0,72	0,42	0,81	1,43	0,460	1,27	1,88	,5000/,5050	1160	11500
QR1374.I50-125-S	304 SS	1,25	,4970	,4985	1/2	0,594	0,72	0,42	0,81	1,43	0,460	1,27	1,88	,5000/,5050	1160	11500
QR1374.I50-150-S	304 SS	1,50	,4970	,4985	1/2	0,594	0,72	0,42	0,81	1,43	0,460	1,27	1,88	,5000/,5050	1160	11500
QR1374.I50-175-S	304 SS	1,75	,4970	,4985	1/2	0,594	0,72	0,42	0,81	1,43	0,460	1,27	1,88	,5000/,5050	1160	11500
QR1374.I50-200-S	304 SS	2,00	,4970	,4985	1/2	0,594	0,72	0,42	0,81	1,43	0,460	1,27	1,88	,5000/,5050	1160	11500
QR1374.I50-250-S	304 SS	2,50	,4970	,4985	1/2	0,594	0,72	0,42	0,81	1,43	0,460	1,27	1,88	,5000/,5050	1160	11500
QR1374.I50-300-S	304 SS	3,00	,4970	,4985	1/2	0,594	0,72	0,42	0,81	1,43	0,460	1,27	1,88	,5000/,5050	1160	11500
QR1374.I50-350-S	304 SS	3,50	,4970	,4985	1/2	0,594	0,72	0,42	0,81	1,43	0,460	1,27	1,88	,5000/,5050	1160	11500
QR1374.I50-400-S	304 SS	4,00	,4970	,4985	1/2	0,594	0,72	0,42	0,81	1,43	0,460	1,27	1,88	,5000/,5050	1160	11500
QR1374.I50-450-S	304 SS	4,50	,4970	,4985	1/2	0,594	0,72	0,42	0,81	1,43	0,460	1,27	1,88	,5000/,5050	1160	11500
QR1374.I50-500-S	304 SS	5,00	,4970	,4985	1/2	0,594	0,72	0,42	0,81	1,43	0,460	1,27	1,88	,5000/,5050	1160	11500
QR1374.I50-550-S	304 SS	5,50	,4970	,4985	1/2	0,594	0,72	0,42	0,81	1,43	0,460	1,27	1,88	,5000/,5050	1160	11500
QR1374.I50-600-S	304 SS	6,00	,4970	,4985	1/2	0,594	0,72	0,42	0,81	1,43	0,460	1,27	1,88	,5000/,5050	1160	11500