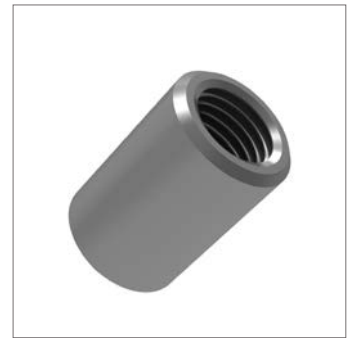
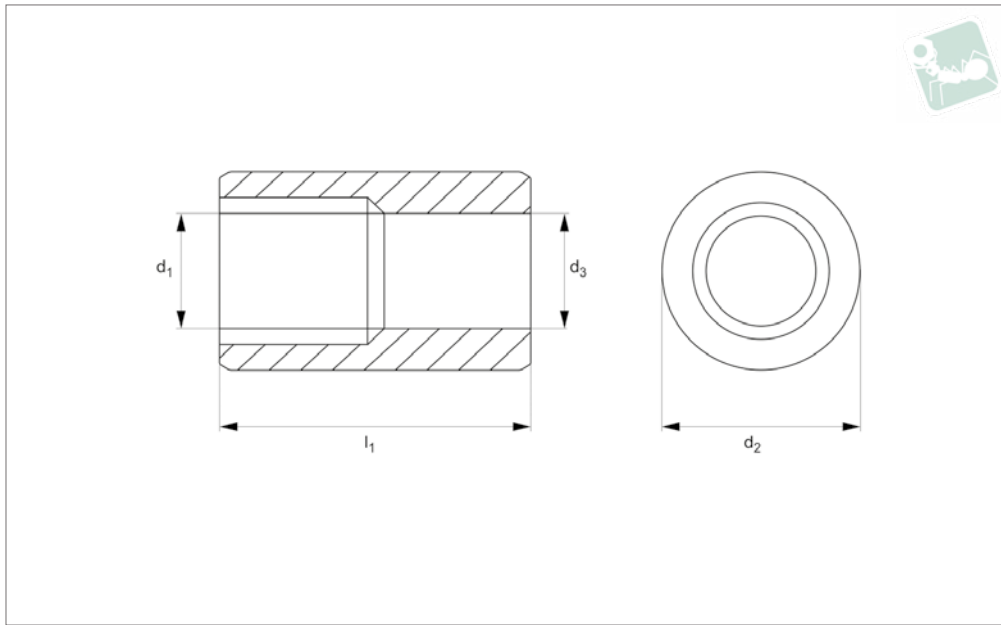




# Housing for Spring Loaded Pins

for use with S to SL2216

## Spring Loaded Pins



**SL2316**

SPRING LOADED PINS

### Material

#### Steel Type -

Steel, C1038, un-plated, aluminium 6061-T6.

### Stainless Steep Type-

Stainless steel (AISI 303).

### Technical Notes

Spare housing bodies. For spring loaded pins S to SL2216.

Order No.	Material	$d_1$ +0.00 -0.12	$d_2$	$l_1$	$l_2$	$d_3$
SL2316.075-150-C	Steel	3/4"-10	25.4	38.1	21.9	16.5
SL2316.075-250-C	Steel	3/4"-10	25.4	57.1	21.9	16.5
SL2316.075-150-A	Aluminium	3/4"-10	25.4	38.1	21.9	16.5
SL2316.075-250-A	Aluminium	3/4"-10	25.4	57.1	21.9	16.5
SL2316.075-150-S	Stainless	3/4"-10	25.4	38.1	21.9	16.5
SL2316.075-250-S	Stainless	3/4"-10	25.4	57.1	21.9	16.5