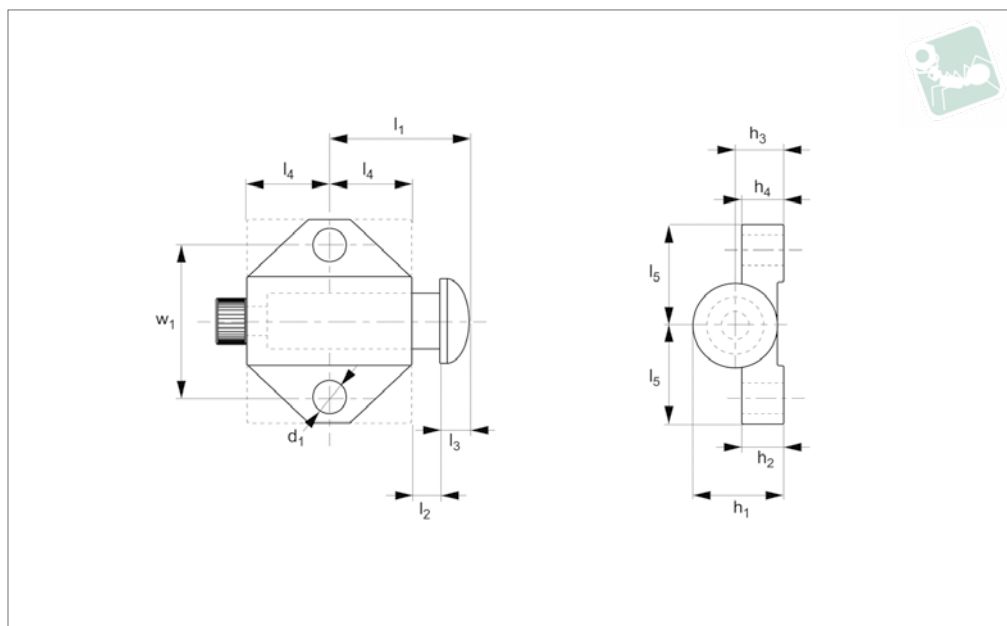




# Spring Stop - Inch round nose

# Spring Loaded Pins



## SL2615

SPRING LOADED PINS

### Material

Body: Aluminium.  
Nose: Steel 12L14.

clamping.

### Tips

Ideal for holding and securing parts while

Order No.	Mounting base	d <sub>1</sub>	l <sub>1</sub>	l <sub>2</sub>	l <sub>3</sub>	l <sub>4</sub>	l <sub>5</sub>	h <sub>3</sub>	h <sub>4</sub>	h <sub>5</sub> mm	w <sub>1</sub>	w <sub>2</sub>	Spring force f <sub>1</sub> N	Spring force f <sub>2</sub> N
SL2615.I12-043-A	Triangle	3.25	15.08	3.18	3.18	8.73	11.1	5.56	4.76	5.55	16.67	9.53	22.3	66.75
SL2615.I18-075-A	Square	4.90	23.81	4.76	4.76	12.7	19.1	7.94	6.35	22.22	28.58	14.29	8.90	115.7
SL2615.I25-100-A	Square	6.53	29.77	6.35	6.35	17.5	25.4	13.5	7.94	34.13	38.10	20.64	71.2	213.6