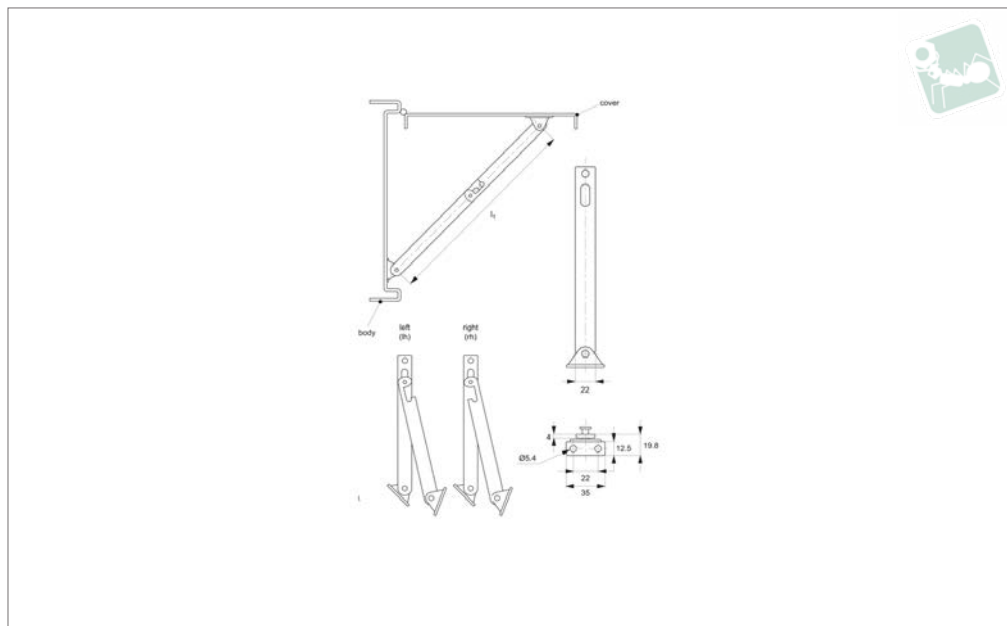




Lid Stays - Heavy Duty stainless steel

Stays & Hinges



ST0016

STAYS & HINGES

Material

Stainless steel, AISI 304.

Technical Notes

Right or left handed, please refer to table.
Ideal for screw or weld-on mounting.

Order No.	Hand	l_1
ST0016.M0006	Right	135
ST0016.M0008	Right	202
ST0016.M0010	Right	292
ST0016.M0106	Left	135
ST0016.M0108	Left	202
ST0016.M0110	Left	292