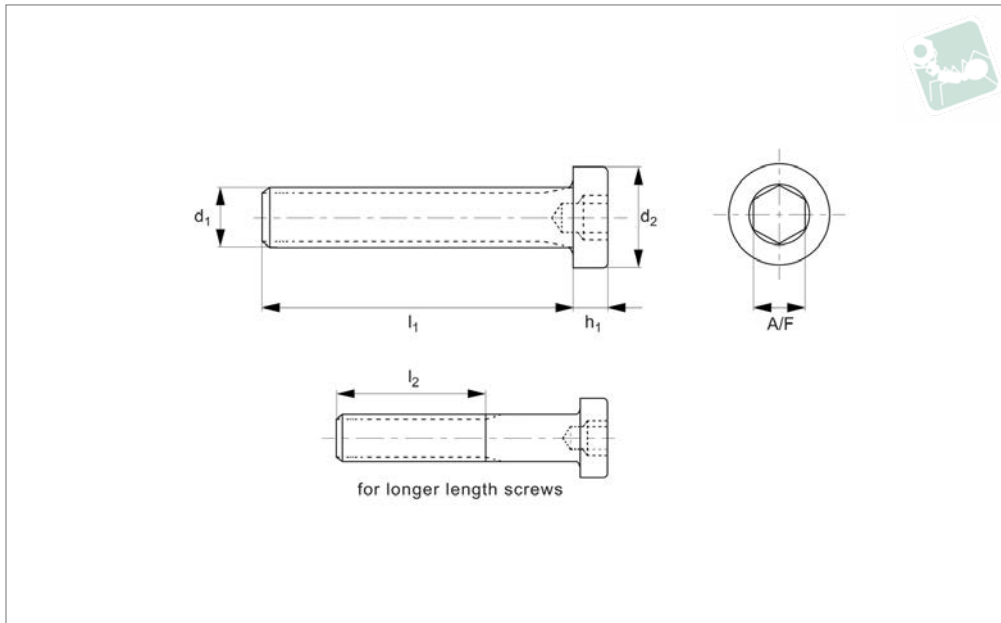




Thin Cylindrical Head Cap Screws

DIN 6912, Titanium G2

Titanium



T0004.T2

TITANIUM

Material
Titanium G2.

Technical Notes
To DIN 6912

Order No.	d ₁	l ₁	h	d ₂	l ₂	A/F
T0004.020-006-T2	M 2	6	1.8	3.8	-	1.5
T0004.020-008-T2	M 2	8	1.8	3.8	-	1.5
T0004.020-010-T2	M 2	10	1.8	3.8	-	1.5
T0004.020-015-T2	M 2	15	1.8	3.8	-	1.5
T0004.020-020-T2	M 2	20	1.8	3.8	-	1.5
T0004.020-025-T2	M 2	25	1.8	3.8	-	1.5
T0004.020-030-T2	M 2	30	1.8	3.8	-	1.5
T0004.020-035-T2	M 2	35	1.8	3.8	-	1.5
T0004.020-040-T2	M 2	40	1.8	3.8	-	1.5
T0004.025-006-T2	M2,5	6	1.8	3.8	-	1.5
T0004.025-008-T2	M2,5	8	1.8	3.8	-	1.5
T0004.025-010-T2	M2,5	10	1.8	3.8	-	1.5
T0004.025-015-T2	M2,5	15	1.8	3.8	-	1.5
T0004.025-020-T2	M2,5	20	1.8	3.8	-	1.5
T0004.025-025-T2	M2,5	25	1.8	3.8	-	1.5
T0004.025-030-T2	M2,5	30	1.8	3.8	-	1.5
T0004.025-035-T2	M2,5	35	1.8	3.8	-	1.5
T0004.025-040-T2	M2,5	40	1.8	3.8	-	1.5
T0004.030-010-T2	M 3	10	2.5	5.5	-	2.5
T0004.030-015-T2	M 3	15	2.5	5.5	12	2.5
T0004.030-020-T2	M 3	20	2.5	5.5	12	2.5
T0004.030-025-T2	M 3	25	2.5	5.5	12	2.5
T0004.030-030-T2	M 3	30	2.5	5.5	12	2.5
T0004.030-035-T2	M 3	35	2.5	5.5	12	2.5
T0004.030-040-T2	M 3	40	2.5	5.5	12	2.5
T0004.030-045-T2	M 3	45	2.5	5.5	12	2.5
T0004.030-050-T2	M 3	50	2.5	5.5	12	2.5
T0004.030-055-T2	M 3	55	2.5	5.5	12	2.5
T0004.030-060-T2	M 3	60	2.5	5.5	12	2.5
T0004.040-010-T2	M 4	10	2.8	7.0	-	3.0
T0004.040-015-T2	M 4	15	2.8	7.0	14	3.0
T0004.040-020-T2	M 4	20	2.8	7.0	14	3.0
T0004.040-025-T2	M 4	25	2.8	7.0	14	3.0
T0004.040-030-T2	M 4	30	2.8	7.0	14	3.0
T0004.040-035-T2	M 4	35	2.8	7.0	14	3.0



Order No.	d ₁	l ₁	h	d ₂	l ₂	A/F
T0004.040-040-T2	M 4	40	2.8	7.0	14	3.0
T0004.040-045-T2	M 4	45	2.8	7.0	14	3.0
T0004.040-050-T2	M 4	50	2.8	7.0	14	3.0
T0004.040-055-T2	M 4	55	2.8	7.0	14	3.0
T0004.040-060-T2	M 4	60	2.8	7.0	14	3.0
T0004.050-010-T2	M 5	10	3.5	8.5	-	4.0
T0004.050-015-T2	M 5	15	3.5	8.5	-	4.0
T0004.050-020-T2	M 5	20	3.5	8.5	16	4.0
T0004.050-025-T2	M 5	25	3.5	8.5	16	4.0
T0004.050-030-T2	M 5	30	3.5	8.5	16	4.0
T0004.050-035-T2	M 5	35	3.5	8.5	16	4.0
T0004.050-040-T2	M 5	40	3.5	8.5	16	4.0
T0004.050-045-T2	M 5	45	3.5	8.5	16	4.0
T0004.050-050-T2	M 5	50	3.5	8.5	16	4.0
T0004.050-055-T2	M 5	55	3.5	8.5	16	4.0
T0004.050-060-T2	M 5	60	3.5	8.5	16	4.0
T0004.060-006-T2	M 6	6	4.0	10.0	-	5.0
T0004.060-008-T2	M 6	8	4.0	10.0	-	5.0
T0004.060-010-T2	M 6	10	4.0	10.0	-	5.0
T0004.060-015-T2	M 6	15	4.0	10.0	-	5.0
T0004.060-016-T2	M 6	16	4.0	10.0	-	5.0
T0004.060-020-T2	M 6	20	4.0	10.0	18	5.0
T0004.060-025-T2	M 6	25	4.0	10.0	18	5.0
T0004.060-030-T2	M 6	30	4.0	10.0	18	5.0
T0004.060-035-T2	M 6	35	4.0	10.0	18	5.0
T0004.060-040-T2	M 6	40	4.0	10.0	18	5.0
T0004.060-045-T2	M 6	45	4.0	10.0	18	5.0
T0004.060-050-T2	M 6	50	4.0	10.0	18	5.0
T0004.060-055-T2	M 6	55	4.0	10.0	18	5.0
T0004.060-060-T2	M 6	60	4.0	10.0	18	5.0
T0004.060-065-T2	M 6	65	4.0	10.0	18	5.0
T0004.060-070-T2	M 6	70	4.0	10.0	18	5.0
T0004.060-075-T2	M 6	75	4.0	10.0	18	5.0
T0004.060-080-T2	M 6	80	4.0	10.0	18	5.0
T0004.060-085-T2	M 6	85	4.0	10.0	18	5.0
T0004.060-090-T2	M 6	90	4.0	10.0	18	5.0
T0004.060-095-T2	M 6	95	4.0	10.0	18	5.0
T0004.060-100-T2	M 6	100	4.0	10.0	18	5.0
T0004.060-110-T2	M 6	110	4.0	10.0	18	5.0
T0004.060-120-T2	M 6	120	4.0	10.0	18	5.0
T0004.060-130-T2	M 6	130	4.0	10.0	18	5.0
T0004.060-140-T2	M 6	140	4.0	10.0	18	5.0
T0004.060-150-T2	M 6	150	4.0	10.0	18	5.0
T0004.080-010-T2	M 8	10	5.0	13.0	22	6.0
T0004.080-015-T2	M 8	15	5.0	13.0	22	6.0
T0004.080-016-T2	M 8	16	5.0	13.0	22	6.0
T0004.080-020-T2	M 8	20	5.0	13.0	22	6.0
T0004.080-025-T2	M 8	25	5.0	13.0	22	6.0
T0004.080-030-T2	M 8	30	5.0	13.0	22	6.0
T0004.080-035-T2	M 8	35	5.0	13.0	22	6.0
T0004.080-040-T2	M 8	40	5.0	13.0	22	6.0
T0004.080-045-T2	M 8	45	5.0	13.0	22	6.0
T0004.080-050-T2	M 8	50	5.0	13.0	22	6.0
T0004.080-055-T2	M 8	55	5.0	13.0	22	6.0
T0004.080-060-T2	M 8	60	5.0	13.0	22	6.0
T0004.080-065-T2	M 8	65	5.0	13.0	22	6.0
T0004.080-070-T2	M 8	70	5.0	13.0	22	6.0
T0004.080-075-T2	M 8	75	5.0	13.0	22	6.0
T0004.080-080-T2	M 8	80	5.0	13.0	22	6.0
T0004.080-085-T2	M 8	85	5.0	13.0	22	6.0
T0004.080-090-T2	M 8	90	5.0	13.0	22	6.0
T0004.080-095-T2	M 8	95	5.0	13.0	22	6.0
T0004.080-100-T2	M 8	100	5.0	13.0	22	6.0
T0004.080-110-T2	M 8	110	5.0	13.0	22	6.0
T0004.080-120-T2	M 8	120	5.0	13.0	22	6.0
T0004.080-130-T2	M 8	130	5.0	13.0	-	6.0
T0004.080-140-T2	M 8	140	5.0	13.0	-	6.0
T0004.080-150-T2	M 8	150	5.0	13.0	-	6.0
T0004.100-015-T2	M10	15	6.5	16.0	26	8.0



Thin Cylindrical Head Cap Screws

DIN 6912, Titanium G2

Titanium

Order No.	d ₁	l ₁	h	d ₂	l ₂	A/F
T0004.100-016-T2	M10	16	6.5	16.0	26	8.0
T0004.100-020-T2	M10	20	6.5	16.0	26	8.0
T0004.100-025-T2	M10	25	6.5	16.0	26	8.0
T0004.100-030-T2	M10	30	6.5	16.0	26	8.0
T0004.100-035-T2	M10	35	6.5	16.0	26	8.0
T0004.100-040-T2	M10	40	6.5	16.0	26	8.0
T0004.100-045-T2	M10	45	6.5	16.0	26	8.0
T0004.100-050-T2	M10	50	6.5	16.0	26	8.0
T0004.100-055-T2	M10	55	6.5	16.0	26	8.0
T0004.100-060-T2	M10	60	6.5	16.0	26	8.0
T0004.100-065-T2	M10	65	6.5	16.0	26	8.0
T0004.100-070-T2	M10	70	6.5	16.0	26	8.0
T0004.100-075-T2	M10	75	6.5	16.0	26	8.0
T0004.100-080-T2	M10	80	6.5	16.0	26	8.0
T0004.100-085-T2	M10	85	6.5	16.0	26	8.0
T0004.100-090-T2	M10	90	6.5	16.0	26	8.0
T0004.100-095-T2	M10	95	6.5	16.0	26	8.0
T0004.100-100-T2	M10	100	6.5	16.0	26	8.0
T0004.100-110-T2	M10	110	6.5	16.0	26	8.0
T0004.100-120-T2	M10	120	6.5	16.0	26	8.0
T0004.100-130-T2	M10	130	6.5	16.0	32	8.0
T0004.100-140-T2	M10	140	6.5	16.0	32	8.0
T0004.100-150-T2	M10	150	6.5	16.0	32	8.0
T0004.120-020-T2	M12	20	7.5	18.0	30	10.0
T0004.120-025-T2	M12	25	7.5	18.0	30	10.0
T0004.120-030-T2	M12	30	7.5	18.0	30	10.0
T0004.120-035-T2	M12	35	7.5	18.0	30	10.0
T0004.120-040-T2	M12	40	7.5	18.0	30	10.0
T0004.120-045-T2	M12	45	7.5	18.0	30	10.0
T0004.120-050-T2	M12	50	7.5	18.0	30	10.0
T0004.120-055-T2	M12	55	7.5	18.0	30	10.0
T0004.120-060-T2	M12	60	7.5	18.0	30	10.0
T0004.120-065-T2	M12	65	7.5	18.0	30	10.0
T0004.120-070-T2	M12	70	7.5	18.0	30	10.0
T0004.120-075-T2	M12	75	7.5	18.0	30	10.0
T0004.120-080-T2	M12	80	7.5	18.0	30	10.0
T0004.120-085-T2	M12	85	7.5	18.0	30	10.0
T0004.120-090-T2	M12	90	7.5	18.0	30	10.0
T0004.120-095-T2	M12	95	7.5	18.0	30	10.0
T0004.120-100-T2	M12	100	7.5	18.0	30	10.0
T0004.120-110-T2	M12	110	7.5	18.0	30	10.0
T0004.120-120-T2	M12	120	7.5	18.0	30	10.0
T0004.120-130-T2	M12	130	7.5	18.0	36	10.0
T0004.120-140-T2	M12	140	7.5	18.0	36	10.0
T0004.120-150-T2	M12	150	7.5	18.0	36	10.0
T0004.140-020-T2	M14	20	8.5	21.0	34	12.0
T0004.140-025-T2	M14	25	8.5	21.0	34	12.0
T0004.140-030-T2	M14	30	8.5	21.0	34	12.0
T0004.140-035-T2	M14	35	8.5	21.0	34	12.0
T0004.140-040-T2	M14	40	8.5	21.0	34	12.0
T0004.140-045-T2	M14	45	8.5	21.0	34	12.0
T0004.140-050-T2	M14	50	8.5	21.0	34	12.0
T0004.140-055-T2	M14	55	8.5	21.0	34	12.0
T0004.140-060-T2	M14	60	8.5	21.0	34	12.0
T0004.140-065-T2	M14	65	8.5	21.0	34	12.0
T0004.140-070-T2	M14	70	8.5	21.0	34	12.0
T0004.140-075-T2	M14	75	8.5	21.0	34	12.0
T0004.140-080-T2	M14	80	8.5	21.0	34	12.0
T0004.140-085-T2	M14	85	8.5	21.0	34	12.0
T0004.140-090-T2	M14	90	8.5	21.0	34	12.0
T0004.140-095-T2	M14	95	8.5	21.0	34	12.0
T0004.140-100-T2	M14	100	8.5	21.0	34	12.0
T0004.140-110-T2	M14	110	8.5	21.0	34	12.0
T0004.140-120-T2	M14	120	8.5	21.0	34	12.0
T0004.140-130-T2	M14	130	8.5	21.0	40	12.0
T0004.140-140-T2	M14	140	8.5	21.0	40	12.0
T0004.140-150-T2	M14	150	8.5	21.0	40	12.0
T0004.160-020-T2	M16	20	10.0	24.0	38	14.0
T0004.160-025-T2	M16	25	10.0	24.0	38	14.0

TITANIUM



Order No.	d ₁	l ₁	h	d ₂	l ₂	A/F
T0004.160-030-T2	M16	30	10.0	24.0	38	14.0
T0004.160-035-T2	M16	35	10.0	24.0	38	14.0
T0004.160-040-T2	M16	40	10.0	24.0	38	14.0
T0004.160-045-T2	M16	45	10.0	24.0	38	14.0
T0004.160-050-T2	M16	50	10.0	24.0	38	14.0
T0004.160-055-T2	M16	55	10.0	24.0	38	14.0
T0004.160-060-T2	M16	60	10.0	24.0	38	14.0
T0004.160-065-T2	M16	65	10.0	24.0	38	14.0
T0004.160-070-T2	M16	70	10.0	24.0	38	14.0
T0004.160-075-T2	M16	75	10.0	24.0	38	14.0
T0004.160-080-T2	M16	80	10.0	24.0	38	14.0
T0004.160-085-T2	M16	85	10.0	24.0	38	14.0
T0004.160-090-T2	M16	90	10.0	24.0	38	14.0
T0004.160-095-T2	M16	95	10.0	24.0	38	14.0
T0004.160-100-T2	M16	100	10.0	24.0	38	14.0
T0004.160-110-T2	M16	110	10.0	24.0	38	14.0
T0004.160-120-T2	M16	120	10.0	24.0	38	14.0
T0004.160-130-T2	M16	130	10.0	24.0	44	14.0
T0004.160-140-T2	M16	140	10.0	24.0	44	14.0
T0004.160-160-T2	M16	160	10.0	24.0	44	14.0
T0004.200-020-T2	M20	20	12.0	30.0	46	17.0
T0004.200-025-T2	M20	25	12.0	30.0	46	17.0
T0004.200-030-T2	M20	30	12.0	30.0	46	17.0
T0004.200-035-T2	M20	35	12.0	30.0	46	17.0
T0004.200-040-T2	M20	40	12.0	30.0	46	17.0
T0004.200-045-T2	M20	45	12.0	30.0	46	17.0
T0004.200-050-T2	M20	50	12.0	30.0	46	17.0
T0004.200-055-T2	M20	55	12.0	30.0	46	17.0
T0004.200-060-T2	M20	60	12.0	30.0	46	17.0
T0004.200-065-T2	M20	65	12.0	30.0	46	17.0
T0004.200-070-T2	M20	70	12.0	30.0	46	17.0
T0004.200-075-T2	M20	75	12.0	30.0	46	17.0
T0004.200-080-T2	M20	80	12.0	30.0	46	17.0
T0004.200-085-T2	M20	85	12.0	30.0	46	17.0
T0004.200-090-T2	M20	90	12.0	30.0	46	17.0
T0004.200-095-T2	M20	95	12.0	30.0	46	17.0
T0004.200-100-T2	M20	100	12.0	30.0	46	17.0
T0004.200-110-T2	M20	110	12.0	30.0	46	17.0
T0004.200-120-T2	M20	120	12.0	30.0	46	17.0
T0004.200-130-T2	M20	130	12.0	30.0	52	17.0
T0004.200-140-T2	M20	140	12.0	30.0	52	17.0
T0004.200-200-T2	M20	200	12.0	30.0	52	17.0