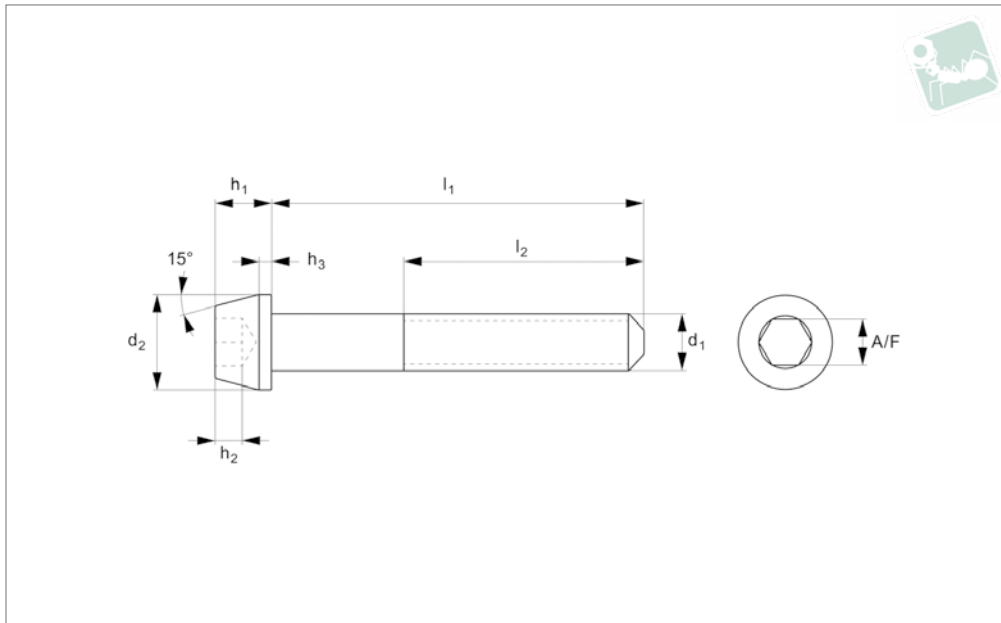




Socket Tapered Cap Screw

titanium 5

Titanium



T0016.T5

TITANIUM

Material
Titanium 5 (6AL-4V).

Technical Notes
DIN 912

Order No.	Thread d_1	l_1	d_2	h_1	h_2	h_3	l_2	R	A/F	Material
T0016.030-030	M 3	30	5.5	3	1.3	1.0	18	0.1	2.5	Titanium 5
T0016.040-050	M 4	50	7.0	4	2.0	1.0	20	0.2	3.0	Titanium 5
T0016.050-060	M 5	60	8.5	5	2.5	1.3	22	0.2	4.0	Titanium 5
T0016.060-140	M 6	140	10.0	6	3.0	1.3	24	0.25	5.0	Titanium 5
T0016.070-140	M 7	140	12.0	7	3.5	1.7	26	0.3	5.0	Titanium 5
T0016.080-140	M 8	140	13.0	8	4.0	1.8	28	0.4	6.0	Titanium 5
T0016.100-140	M10	140	16.0	10	5.0	2.0	32	0.4	8.0	Titanium 5
T0016.120-140	M12	140	18.0	12	6.0	2.2	36	0.6	10.0	Titanium 5