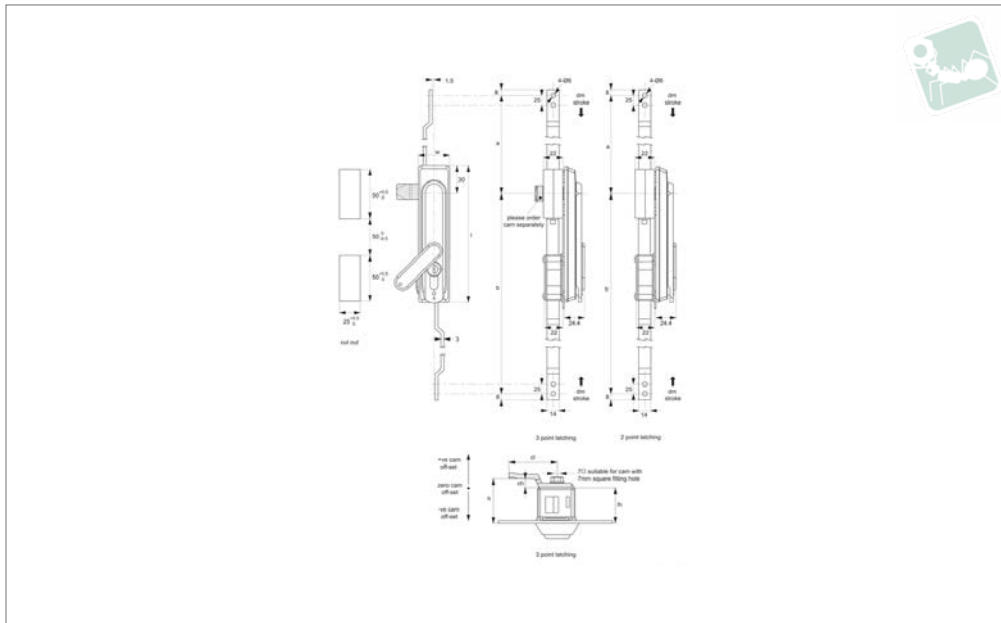




Swing Handles - with Rod Control

40mm euro cylinder lock - dust cover - zinc or poly-

Latches



PL0500

LATCHES

Material

Type One: Body & Handle: die cast zinc, black powder coated.

Type Two: Body: Polyamide PA6, black.
Handle: die cast zinc, black powder coated.

Cylinder lock: die cast zinc, chrome plated.

Rod Control Mechanism: die cast zinc.

Supplied with: Keys: two per lock.

Not supplied: Cam: order separately.

Technical Notes

All locks are **keyed alike**.

Order cam separately.

Three point latching model utilises rod control plus a cam.

Two point latching model cannot accommodate a cam.

Cams: see suitable cam . Select „without projection“ cam type.

Dimensions ch and cl relate to cam. Use formula to calculate ch (required cam off-set), and refer to cam selection chart;

ch = h - lh where;

ch = required cam off-set/height.

h = grip length (distance between inside of

latch face and front of cam).

lh = body length of cam latch/lock to be used (see product table below).

Rods & Guides: to achieve 3-point latching - CC0340, CC0350, CC0355.

Tips

90° degree handle rotation combines with rod latch to open or close. Panel thickness 1-4mm. All the cast metal construction provides higher strength.

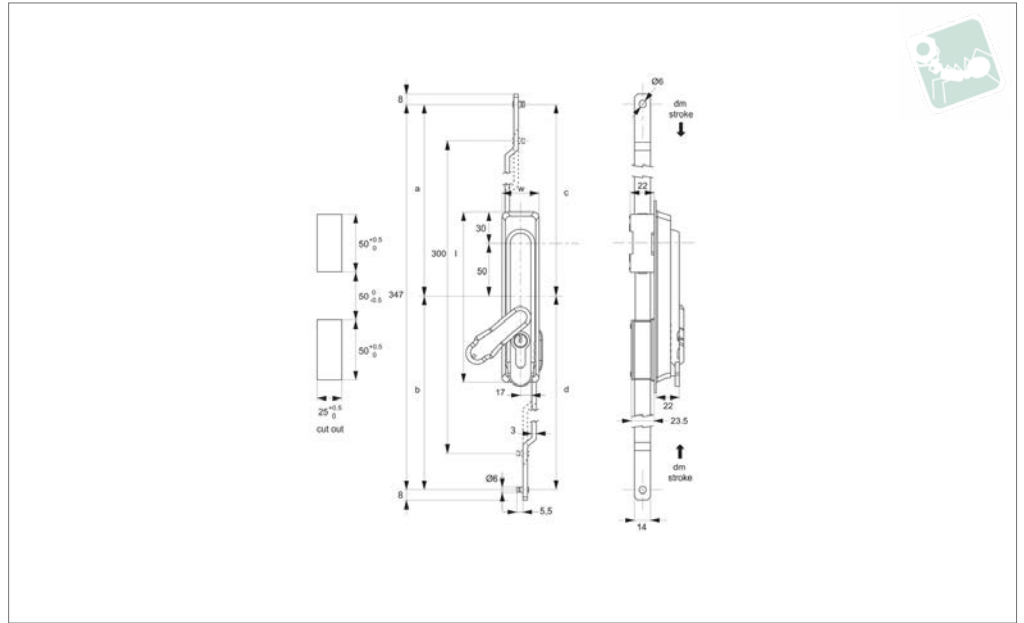
| Order No. | Type | Body | Handle | Latching type | l | Padlockable | w | lh | a | b | dm stroke |
|--------------|------|-----------|--------|---------------|-----|-------------|----|----|-----|-----|-----------|
| PL0500.M0010 | One | Zinc | Zinc | 2 point | 160 | No | 34 | 23 | 122 | 196 | 15 |
| PL0500.M0020 | One | Zinc | Zinc | 2 point | 160 | Yes | 34 | 23 | 196 | 122 | 15 |
| PL0500.M0310 | Two | Polyamide | Zinc | 3 point | 160 | No | 34 | 23 | 196 | 122 | 15 |
| PL0500.M0320 | Two | Polyamide | Zinc | 3 point | 160 | Yes | 34 | 23 | 196 | 122 | 15 |



LATCHES



PL0510



Material

Body & Handle: polyamide (PA), black.
 Cylinder lock: die cast zinc, chrome plated.
 Rod Control Mechanism: die cast zinc.

Supplied with: Keys: two per lock.

Not supplied: Cam: order separately.

Technical Notes

Suitable for two point latching.
 Not suitable for three point latching.

Tips

Also available with radial pin lock, subject

to min. order quantity.

Ideal for electrical cabinets, telecom racks or enclosures max. panel thickness of 2mm. For use inside of cabinet gasket.

Universal left/right.

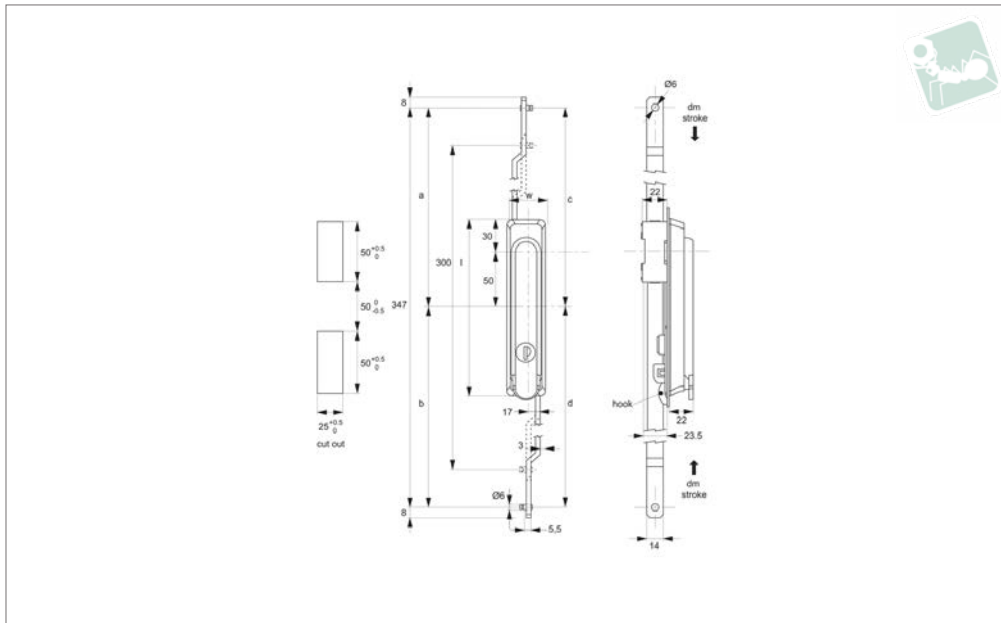
| Order No. | Finish | Lock type | Key type | l | w | lh | a | b | c | d | dm stroke 135° | dm stroke 90° |
|--------------|----------------|-----------|-------------|-----|----|----|-------|-------|-------|-------|-------------------|------------------|
| PL0510.M0020 | Black, Plastic | 40 Euro | Keyed Alike | 160 | 35 | 23 | 123.5 | 223.5 | 173.5 | 173.5 | 23.5 | 16 |



Swing Handle - with Rod Control

standard cylinder - polyamide

Latches



PL0520

LATCHES

Material

Body & Handle: polyamide (PA), black.
 Cylinder lock: die cast zinc, chrome plated.
 Rod Control Mechanism: die cast zinc.
Supplied with: Keys: two per lock.

Not supplied: Rods: order separately.

Technical Notes

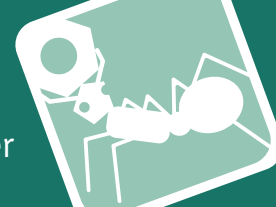
Suitable for two point latching.
 Not suitable for three point latching.

Rods & Guides: CC0340, CC0350, CC0355.

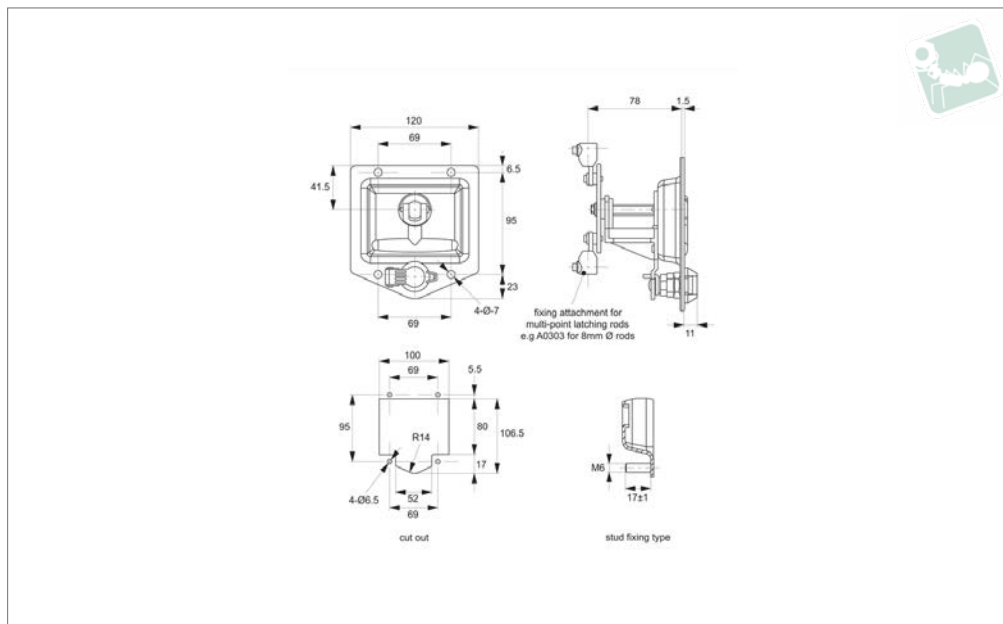
Tips

Suitable for panel thickness 1 - 2mm.

| Order No. | Finish | Latching type | Key type | l | w | lh | a | b | c | d | dm stroke 135° | dm stroke 90° |
|---------------|----------------|---------------|-------------|-----|----|----|-------|-------|-------|-------|-------------------|------------------|
| PL0520.AW0010 | Black, Plastic | 2-Point | Keyed Alike | 160 | 35 | 22 | 123.5 | 223.5 | 173.5 | 173.5 | 23.5 | 16 |



PL0580



Material

Body: stainless steel, AISI 303.

Handle: die cast zinc, chrome plated.

Cylinder lock: die cast zinc, chrome plated.

Supplied with: Keys: two per lock.

Technical Notes

Hole fixing type requires 4 off M 6 screws

(not supplied) for front mounting.

Stud fixing type has 4 off M 6 welding studs for rear mounting with M 6 nuts (not supplied).

Use with multi-point latching rods (e.g. CC0340), with 8mm Ø rods, to achieve two point latching of larger enclosure panels.

Tips

Ideal for electricity sub-stations, HGVs and other road side vehicles.

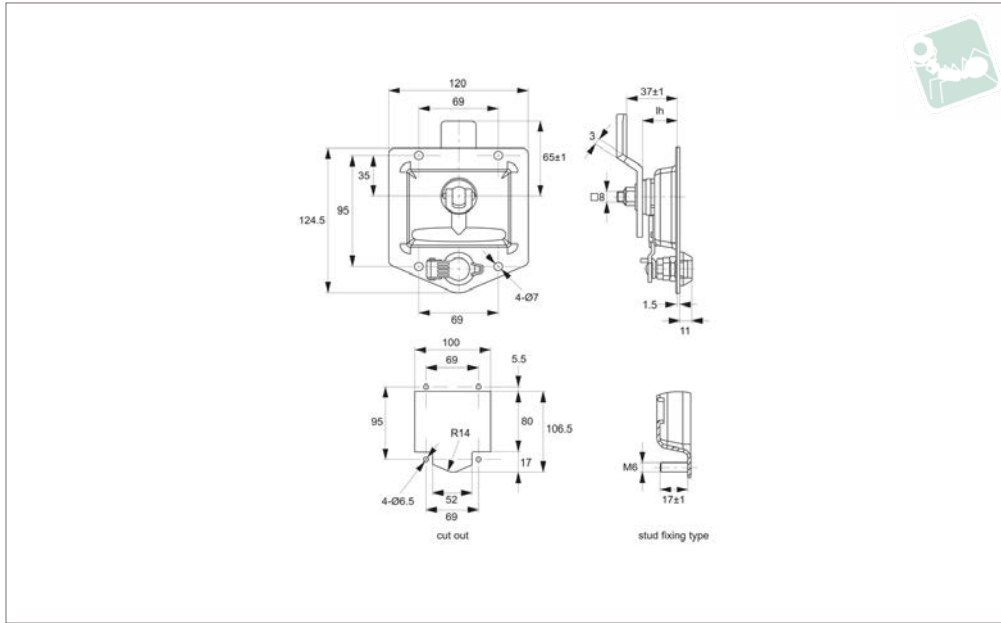
T-handle is in the vertical position when locked. Universal left/right. For use inside of cabinet gasket.

| Order No. | Mounting type | Lock type | Key type |
|--------------|---------------|---------------|-------------|
| PL0580.M0010 | Hole Fixing | Std. Cylinder | Keyed Alike |
| PL0580.M0020 | Stud Fixing | Std. Cylinder | Keyed Alike |



Cam Latch - Flush T-handle

vertical - heavy duty - fixed grip - standard cylinder



PL0585

LATCHES

Material

Body: stainless steel, AISI 303.
 Handle: die cast zinc, chrome plated.
 Cylinder lock: die cast zinc, chrome plated.
Supplied with: Keys: two per lock.
 Cam: stainless steel, AISI 303.

Technical Notes

Hole fixing type requires 4 off M 6 screws

(not supplied), for front mounting.
 Stud fixing type has 4 off M 6 welded studs for near mounting with M 6 nuts (not supplied).

Tips

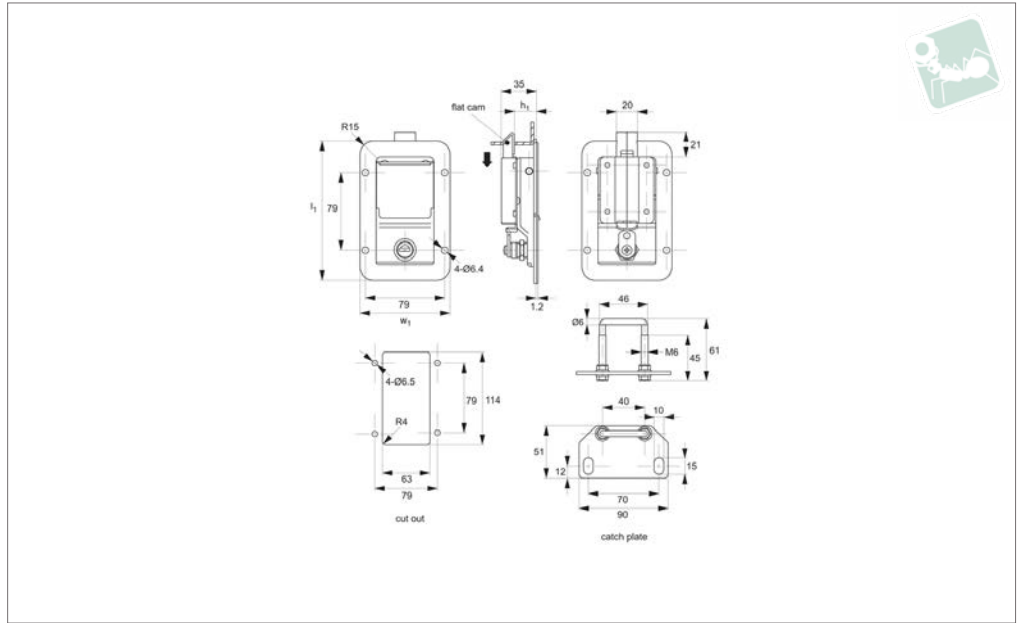
Ideal for electricity sub-stations, HGVs and other road side vehicles.
 T-handle is in the vertical position when

locked. Universal left/right. For use inside of cabinet gasket.
 Can be used with cam range CC0020.

| Order No. | Mounting type | Lock type | Key type | lh |
|--------------|---------------|---------------|-------------|----|
| PL0585.M0010 | Hole Fixing | Std. Cylinder | Keyed Alike | 25 |
| PL0585.M0020 | Stud Fixing | Std. Cylinder | Keyed Alike | 25 |



PL0740



Material

Body and Handle: stainless steel, AISI 304.
 Cylinder lock: die cast zinc, chrome plated.
Supplied with: Keys: two per lock.
Not Supplied: Catch plate: please order separately.

Technical Notes

Hole fixing type requires 4 off M 6 screws (not supplied) for front mounting.
 Spring loaded, slam action handle.
 Universal left/right. For use inside of cabinet gasket.

Tips

Fully integrated lock, latch and flush fitting paddle handle, ideal for generators, compressors, electric panels and doors.

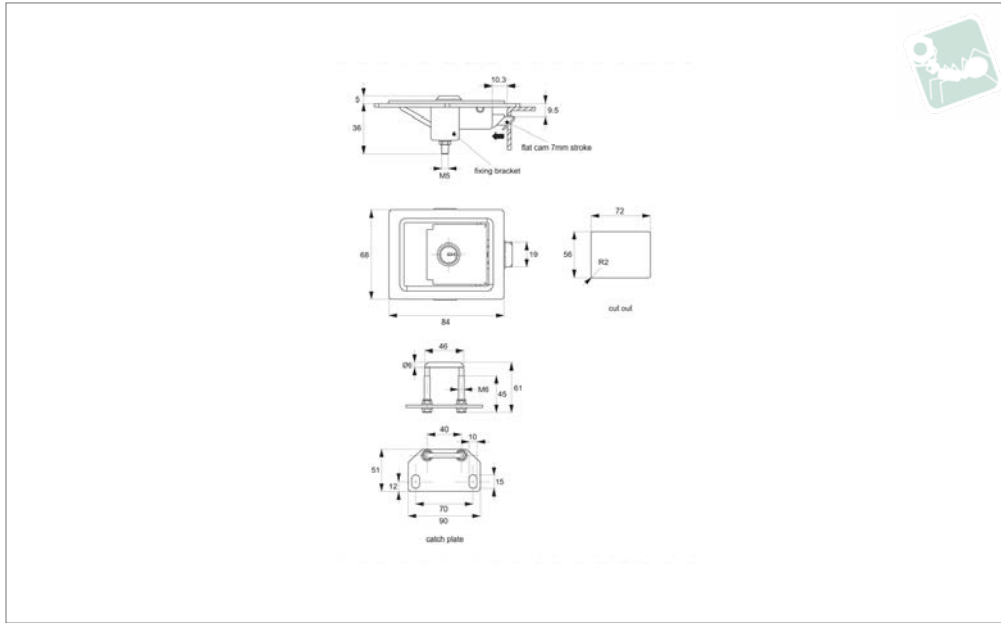
| Order No. | Type | h ₁ | l ₁ | w ₁ |
|--------------|-----------------|----------------|----------------|----------------|
| PL0740.M0010 | With Lock | 22 | 140 | 90 |
| PL0740.M0020 | Blank - No Lock | 22 | 140 | 90 |



Push To Close Paddle Latches

pull to open - slam action - standard cylinder lock -

Latches



PL0710

LATCHES

Material

Body and Handle: steel, black powder coated.
Cylinder lock: die cast zinc, zinc plated.

Supplied with: Keys: two per lock.

Not Supplied: Catch plate: please order separately.

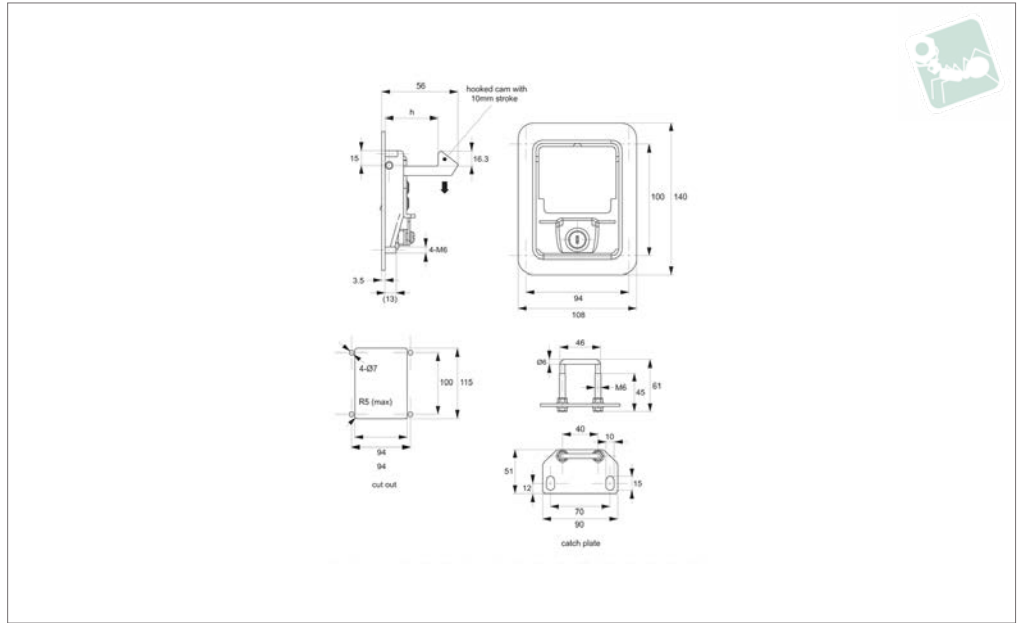
Technical Notes

Spring loaded, slam action handle. Installation via 72x56mm cut out.

| Order No. | Lock type |
|--------------|-----------------|
| PL0710.M0010 | Std. Cylinder |
| PL0710.M0020 | Blank - No Lock |



PL0712



Material

Body and Handle: steel, black powder coated.

Cylinder lock: die cast zinc, zinc plated.

Supplied with: Keys: two per lock.

Not Supplied: Catch plate: please order separately.

Technical Notes

Stud fixing type has 4 off M 6 welded studs for rear mounting with M 6 nuts (not supplied).

Universal left/right. For use inside of cabinet gasket.

Tips

Fully integrated lock, latch and flush fitting paddle handle, ideal for generators, compressors, electric panels and doors.

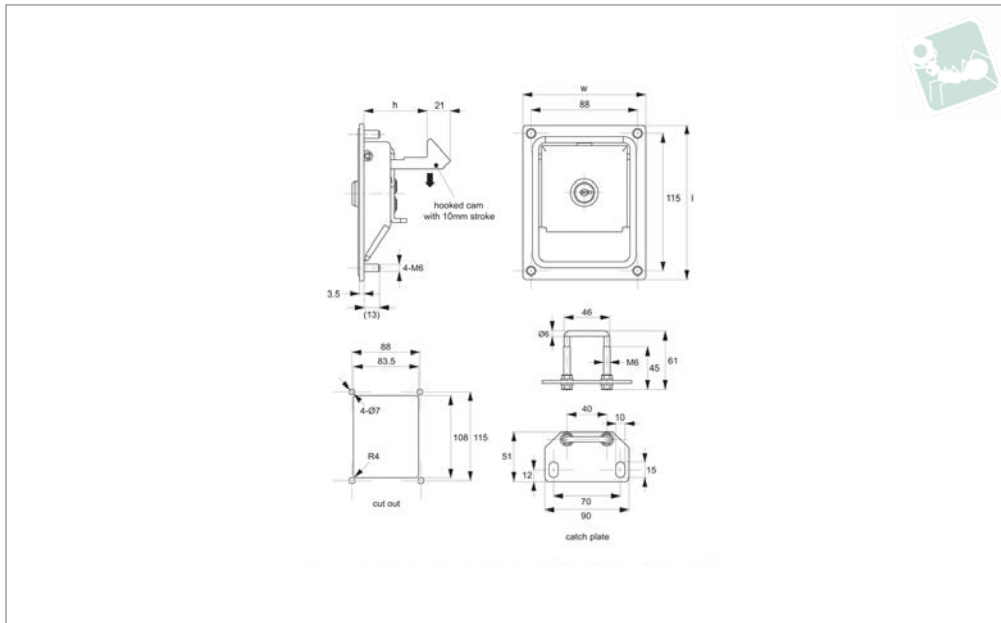
| Order No. | Lock type | Type | h |
|--------------|---------------|-------|------|
| PL0712.M0010 | Std. Cylinder | Latch | 31.5 |
| PL0712.M0020 | Std. Cylinder | Latch | 44.0 |
| PL0712.M0030 | Std. Cylinder | Latch | 55.0 |



Push To Close Paddle Latches

pull to open - slam action - standard cylinder lock -

Latches



PL0730

LATCHES

Material

Body and Handle: steel, black powder coated.

Cylinder lock: die cast zinc, zinc plated.

Supplied with: Keys: two per lock.

Not Supplied: Catch plate: please order

separately.

Technical Notes

Stud fixing type has 4 off M 6 welded studs for rear mounting with M 6 nuts (not supplied).

Tips

Fully integrated lock, latch and flush fitting paddle handle, ideal for generators, compressors, electric panels and doors.

| Order No. | Lock type | Type | h | l | w |
|--------------|-----------------|-------|------|-----|-------|
| PL0730.M0010 | Std. Cylinder | Latch | 30.5 | 127 | 101.5 |
| PL0730.M0020 | Std. Cylinder | Latch | 43.0 | 127 | 101.5 |
| PL0730.M0030 | Std. Cylinder | Latch | 54.0 | 127 | 101.5 |
| PL0730.M0040 | Blank - No Lock | Latch | 30.5 | 127 | 101.5 |
| PL0730.M0050 | Blank - No Lock | Latch | 43.0 | 127 | 101.5 |