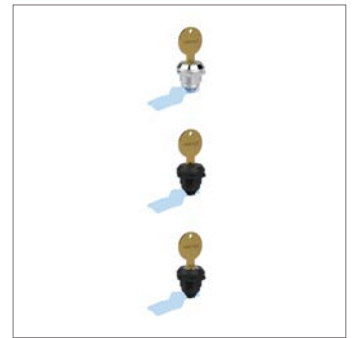
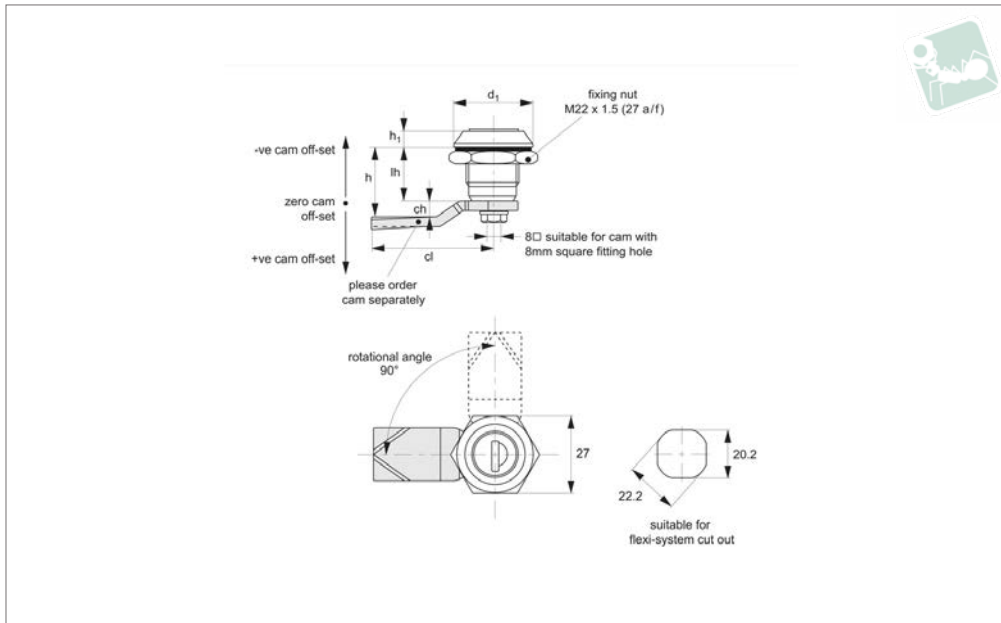




Cam Locks - Flexi-System

fixed grip - zinc

Locks



CC2010

LOCKS

Material

Type one & Two: Body: die cast zinc, finished in chrome plate or black powder coating.
Cylinder lock: die cast zinc, chrome plated.

Type Three: Body: polyamide.
Cylinder lock: die cast zinc, chrome plated.

Supplied with: Keys: two per lock.
Not supplied: CAM - order separately.

Technical Notes

Order cam separately.

Cams: see suitable cam CC0020, and CC0040. Select „without projection“ cam type.

Dimensions ch and cl relate to cam. Use formula to calculate ch (required cam off-set), and refer to cam selection chart;

ch = h - lh where;

ch = required cam off-set/height.

h = grip length (distance between inside of latch face and front of cam).

lh = body length of cam latch/lock to be

used (see product table below).

Rods & Guides: to achieve 3-point latching - CC0340, CC0350, CC0355.

Tips

Quarter turn opening or closing.
Universal left and right application.

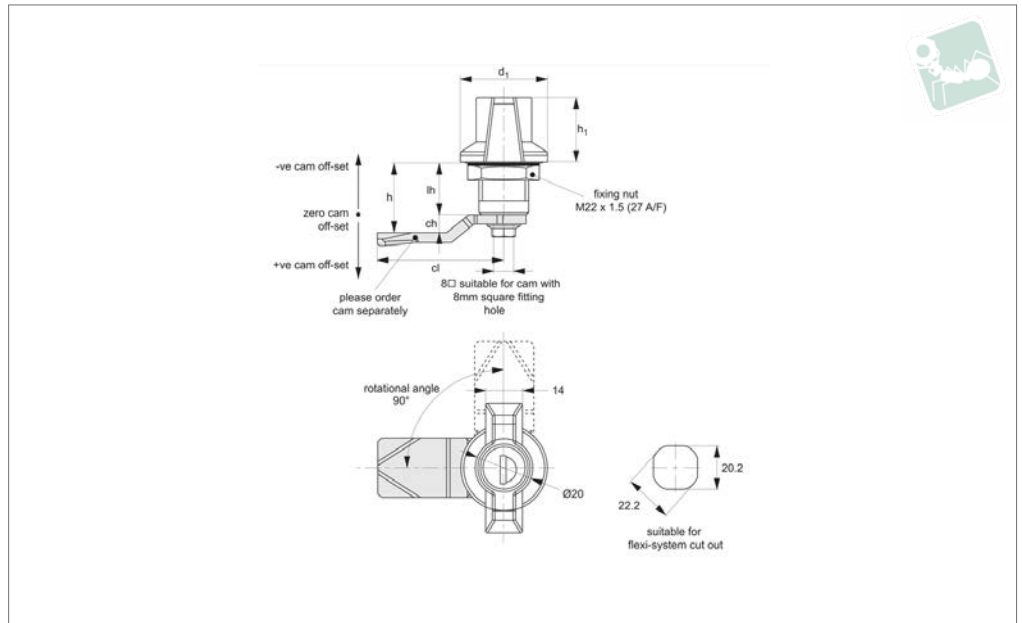
Important Notes

Sold subject to pack quantity.

Order No.	Type	Body finish	Key type	d ₁	h ₁	lh
CC2010.M0010	One	Chrome Plated	Keyed Alike	28.0	6	20
CC2010.M0310	Two	Black Coated	Keyed Alike	28.0	6	18
CC2010.M0320	Two	Black Coated	Keyed to Differ	28.0	6	18
CC2010.M0330	Two	Black Coated	Euro	30.0	6	18
CC2010.M0510	Three	Plastic, Black	Keyed Alike	28.0	6	18
CC2010.M0520	Three	Plastic, Black	Keyed to Differ	28.0	6	18



CC2020



Material

Body & insert: die cast zinc, finished in chrome plate or black powder coating.
Fitted with O'ring to provide IP54 rating.
Cylinder lock: die cast zinc, chrome plated.
With dust cap to prevent material ingress.

Supplied with: Keys: two per lock.

Not supplied: CAM - order separately.

Technical Notes

Order cam separately.

Cams: see suitable cam CC0020, and

CC0040. Select „without projection“ cam type.

Dimensions ch and cl relate to cam. Use formula to calculate ch (required cam off-set), and refer to cam selection chart;

ch = h - lh where;

ch = required cam off-set/height.

h = grip length (distance between inside of latch face and front of cam).

lh = body length of cam latch/lock to be used (see product table below).

Rods & Guides: to achieve 3-point latching - CC0340, CC0350, CC0355.

Tips

Quarter turn opening or closing.
Wings act as actuation handle.
Universal left and right.

Important Notes

Sold subject to pack quantity.

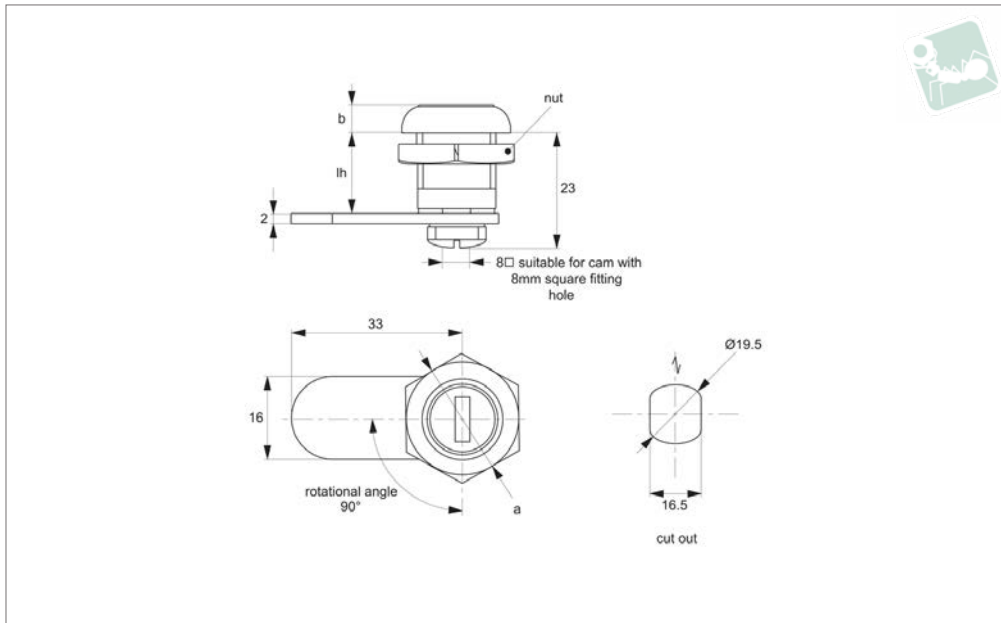
Order No.	Body finish	Key type	d ₁	h ₁	lh
CC2020.M0010	Chrome	Keyed Alike	30.5	23.6	18
CC2020.M0020	Chrome	Keyed to Differ	30.5	23.6	18
CC2020.M0310	Black Coated	Keyed Alike	30.5	23.6	18
CC2020.M0320	Black Coated	Keyed to Differ	30.5	23.6	18



Mini Cam Lock

cam lock - fixed grip

Locks



CC2050

LOCKS

Material

Body & insert: die cast zinc, bright chrome plated.

Fixed grip: zinc.

Supplied with: Nuts, Cam and Keys: two per lock.

Tips

Ideal for use in metal cabinets, drawers

and machinery covers etc.

Due to compact size of cam and lock body there is no need to remove cam during installation.

Keyed to differ model has a max. 100 key combinations.

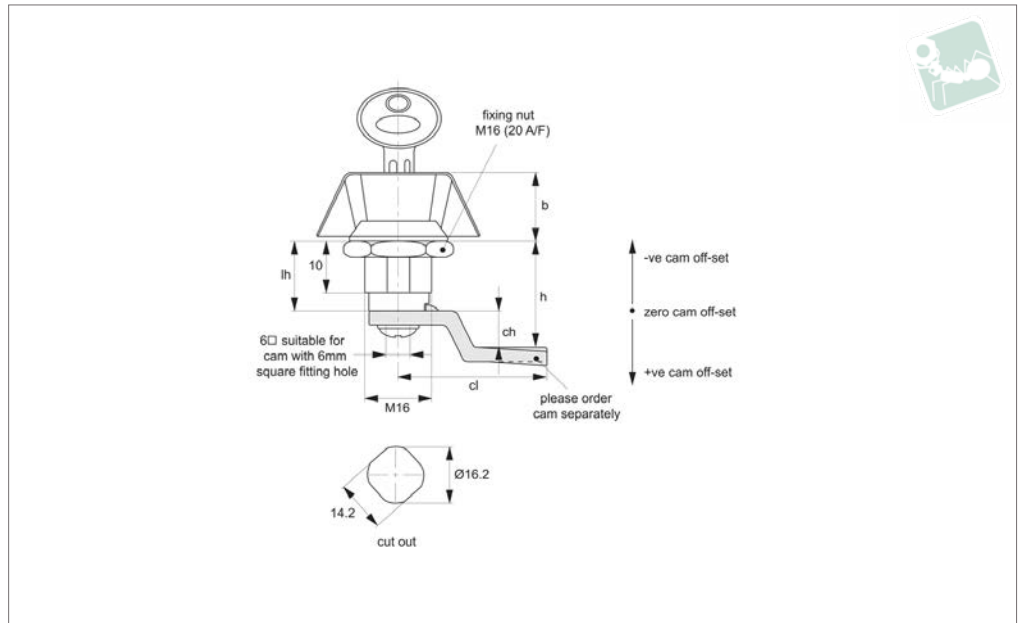
Type Three - 90° key rotation, key non-removable when in unlocked position.

Quarter-turn opening. Locks have dust cover.

Order No.	a	b	lh
CC2050.M0010	22.0	5.5	15.5



CC2060



Material

Black painted ZDC housing and handle, white zinc plated cam.

Supplied with: Keys: two per lock. Nut - steel, zinc plated.

Not supplied: CAM - order separately.

Technical Notes

Order cam separately.

Cams: see suitable cam CC0050. Select „with projection“ cam type to prevent cam rotating over 45°.

Dimensions ch and cl relate to cam. Use formula to calculate ch (required cam off-set), and refer to cam selection chart;

ch = h - lh where;

ch = required cam off-set/height.

h = grip length (distance between inside of latch face and front of cam).

lh = body length of cam latch/lock to be used (see product table below).

Important Notes

Sold subject to pack quantity.

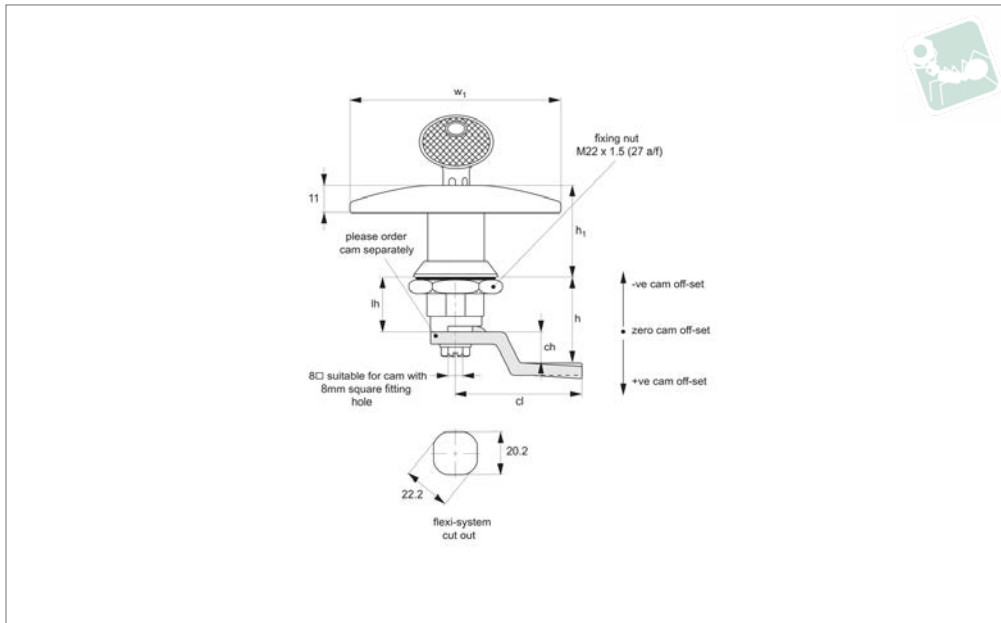
Order No.	Key type	Type	Body finish	b	lh
CC2060.M0010	Keyed Alike	Type One	Chrome Plated	14.5	13.0
CC2060.M0020	Keyed Alike	Type Two	Black Coated	14.5	13.0



Cam Locks - Flexi-System

T-handle - fixed grip

Locks



CC2200

LOCKS

Material

Type one & two: Body: die cast zinc.
Finished in chrome plate or black powder coating.
Cylinder lock: die cast zinc, chrome plated.
IP65/NEMA 4 rated.
Supplied with: Nut: steel, zinc plated.
Sealing washer: PU & Rubber.
Keys: two per lock.

Not supplied: Cam: order separately.

Technical Notes

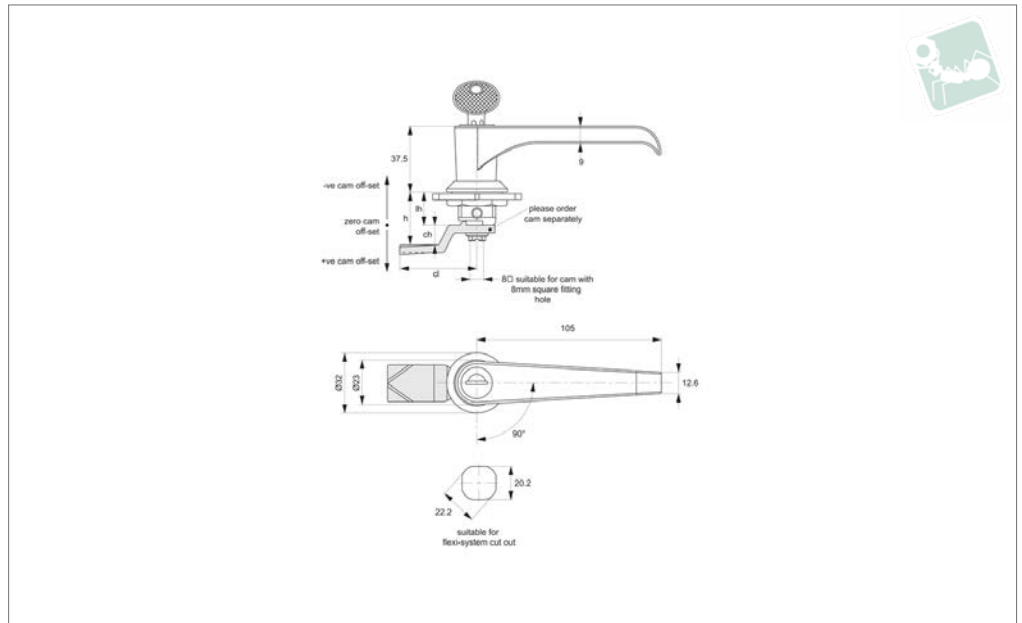
Order cam separately.
Cams: see suitable cam CC0020, and CC0040. Select „with projection“ cam type to prevent cam rotating over 45°. Dimensions ch and cl relate to cam. Use formula to calculate ch (required cam off-

set), and refer to cam selection chart;
ch = h - lh where;
ch = required cam off-set/height.
h = grip length (distance between inside of latch face and front of cam).
lh = body length of cam latch/lock to be used (see product table below).
Rods & Guides: to achieve 3-point latching - CC0340, CC0350, CC0355.

Order No.	Body finish	Key type	w ₁	h ₁	lh
CC2200.M0110	Chrome Plated	Keyed Alike	78	37	18
CC2200.M0120	Chrome Plated	Keyed to Differ	78	37	18
CC2200.M0310	Black Coated	Keyed Alike	78	37	18
CC2200.M0320	Black Coated	Keyed to Differ	78	37	18



CC2210



Material

Body: die cast zinc, finished in chrome plate or black powder coating.
Cylinder lock: die cast zinc, chrome plated.
Supplied With: Nut: steel, zinc plated.
Keys: two per lock.
Not Supplied: Cam: order separately.

Technical Notes

Order cam separately.

Cams: see suitable cam CC0020, and CC0040. Select „with projection“ cam type to prevent cam rotating over 45°. Dimensions ch and cl relate to cam. Use formula to calculate ch (required cam off-set), and refer to cam selection chart; **ch = h - lh** where; **ch** = required cam off-set/height. **h** = grip length (distance between inside of

latch face and front of cam). **lh** = body length of cam latch/lock to be used (see product table below). **Rods & Guides:** to achieve 3-point latching - CC0340, CC0350, CC0355.
Tips
Disc tumbler cylinder locks with stainless dust cap, to prevent material ingress.
Universal left and right.

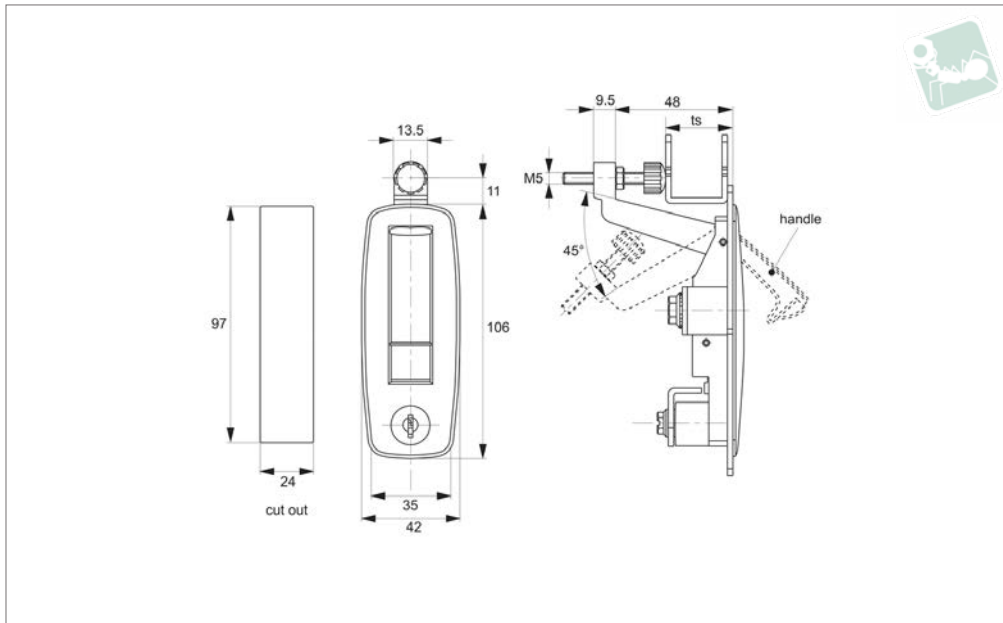
Order No.	Body finish	Key type	d ₁	lh
CC2210.M0110	Chrome Plated	Keyed Alike	32	18
CC2210.M0120	Chrome Plated	Keyed to Differ	32	18
CC2210.M0310	Black Coated	Keyed Alike	32	18
CC2210.M0320	Black Coated	Keyed to Differ	32	18



Compression Locks

lever latch - adjustable grip - flush trigger - zinc

Locks



CC1210

LOCKS

Material

Body and handle and button: die cast zinc, black power coated.

Cylinder lock: die cast zinc.

Screw: steel, white zinc plated.

Supplied with: KEY.

Technical Notes

Grip length can be adjusted via M5 clamping screw to suit your application.

Suitable for panel thickness 20-35mm. For installation cut out see diagram.

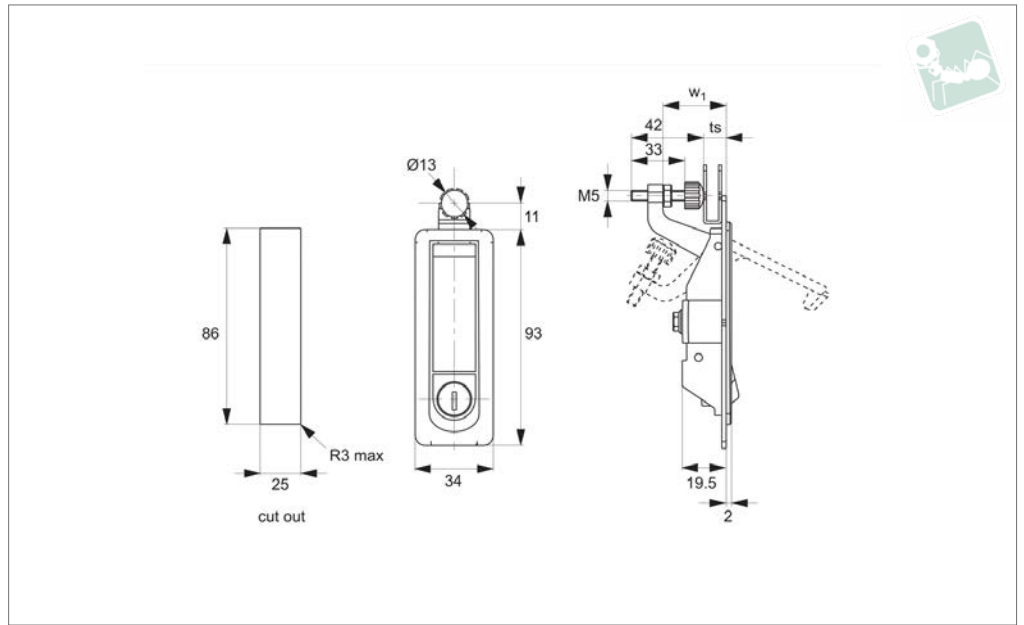
Tips

Quick-open, easy assembling, by adjusting screw meets the needs of distance control.

Order No.	Finish	Lock type	ts grip adj.
CC1210.M0310	Black Coated	Std. Cylinder	20-35



CC1215



Material

Body and handle and button: die cast zinc, black power coated.
Cylinder lock: die cast zinc.

Screw: steel, white zinc plated.

Supplied with: KEY.

Technical Notes

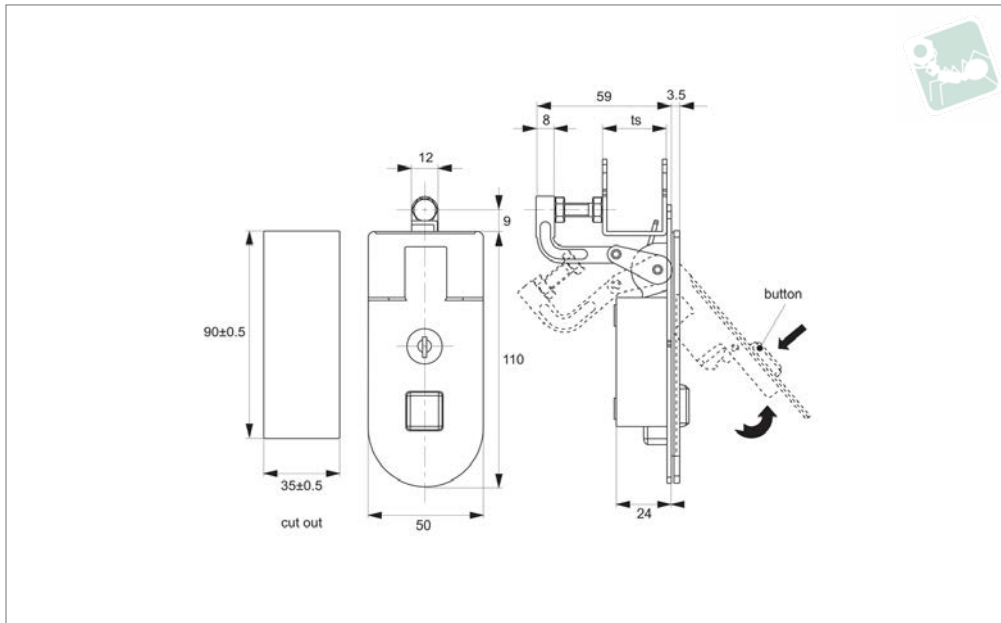
Grip length can be adjusted via screw between 1 and 20mm. Suitable for panel thickness 1-20mm.

Order No.	Finish	Lock type	ts grip adj.	w ₁
CC1215.M0710	Black Coated	Std. Cylinder with Keyed Alike	1-20	29
CC1215.M0720	Black Coated	Blank - No Lock	1-20	29
CC1215.M0910	Black Coated	Std. Cylinder with Keyed Alike	17-40	50
CC1215.M0920	Black Coated	Blank - No Lock	17-40	50



Compression Locks

lever latch - adjustable grip - zinc



CC1220

LOCKS

Material

Body and handle: die cast zinc, black power coated.
Cylinder lock: die cast zinc.
Screw: steel, white zinc plated.

Supplied with: KEY.

Technical Notes

Grip adjustment 31-48mm.

Tips

Quick-open, easy assembling. Grip length can be adjusted via clamping screw to suit your application.

Order No.	Finish	Lock type	ts grip adj.
CC1220.M0310	Black Coated	Std. Cylinder	31-48