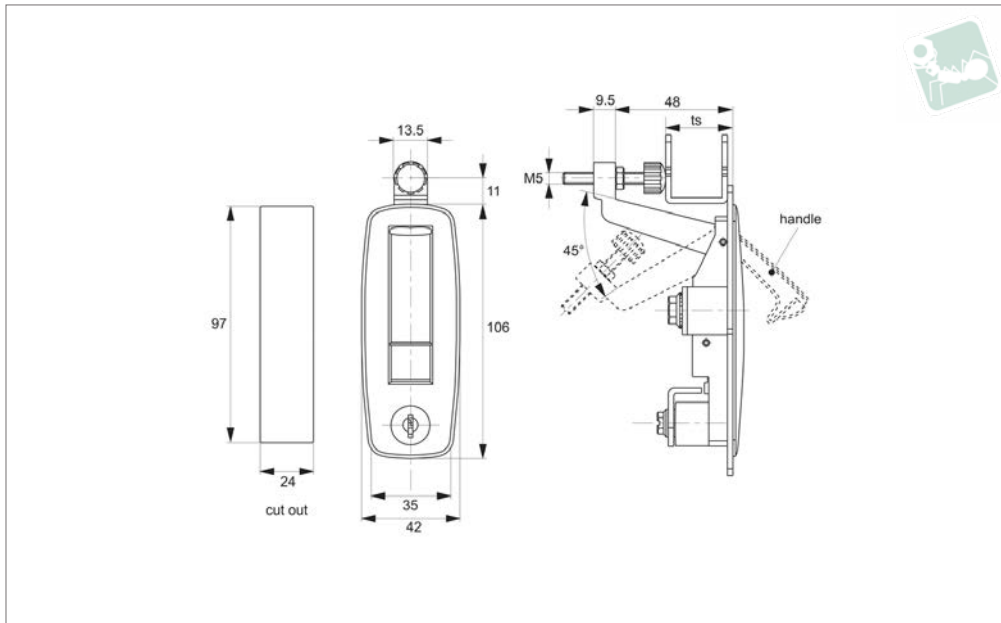




# Compression Locks

lever latch - adjustable grip - flush trigger - zinc

## Locks



### CC1210

LOCKS

#### Material

Body and handle and button: die cast zinc, black power coated.

Cylinder lock: die cast zinc.

Screw: steel, white zinc plated.

**Supplied with:** KEY.

#### Technical Notes

Grip length can be adjusted via M5 clamping screw to suit your application.

Suitable for panel thickness 20-35mm. For installation cut out see diagram.

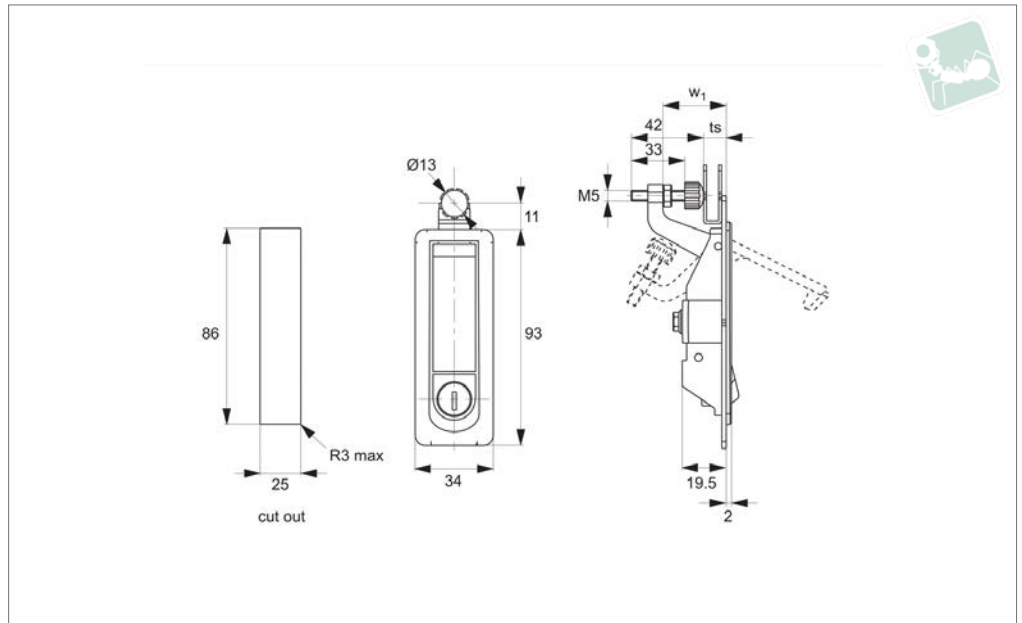
#### Tips

Quick-open, easy assembling, by adjusting screw meets the needs of distance control.

Order No.	Finish	Lock type	ts grip adj.
CC1210.M0310	Black Coated	Std. Cylinder	20-35



**CC1215**



**Material**

Body and handle and button: die cast zinc, black power coated.  
Cylinder lock: die cast zinc.

Screw: steel, white zinc plated.

**Supplied with:** KEY.

**Technical Notes**

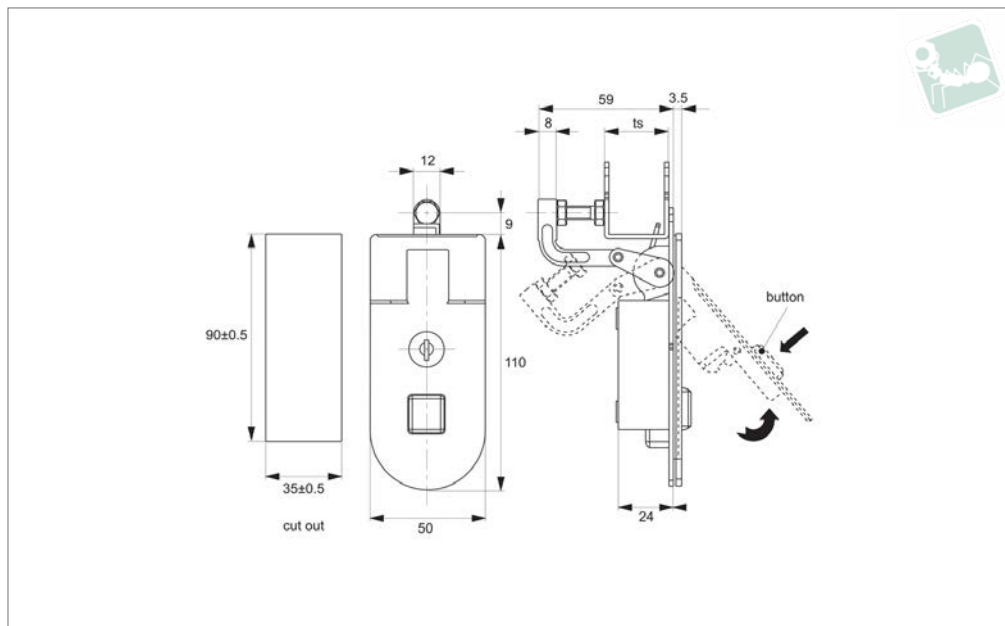
Grip length can be adjusted via screw between 1 and 20mm. Suitable for panel thickness 1-20mm.

Order No.	Finish	Lock type	ts grip adj.	w <sub>1</sub>
CC1215.M0710	Black Coated	Std. Cylinder with Keyed Alike	1-20	29
CC1215.M0720	Black Coated	Blank - No Lock	1-20	29
CC1215.M0910	Black Coated	Std. Cylinder with Keyed Alike	17-40	50
CC1215.M0920	Black Coated	Blank - No Lock	17-40	50



# Compression Locks

lever latch - adjustable grip - zinc



**CC1220**

LOCKS

**Material**

Body and handle: die cast zinc, black power coated.  
 Cylinder lock: die cast zinc.  
 Screw: steel, white zinc plated.

**Supplied with:** KEY.

**Technical Notes**

Grip adjustment 31-48mm.

**Tips**

Quick-open, easy assembling. Grip length can be adjusted via clamping screw to suit your application.

<b>Order No.</b> CC1220.M0310	Finish Black Coated	Lock type Std. Cylinder	ts grip adj. 31-48
----------------------------------	------------------------	----------------------------	-----------------------